

LRD SERIES RESIDENTIAL LIGHTING

LRD-10W-MCT5-4WTR
4" LED ARCHITECTURAL WINGED OPEN RECESSED LIGHTS
MCT Multi Color Temperature (Selectable)

WESTGATE
THE FUTURE IS HERE...AND IT'S QUITE BRIGHT!

Customer Name: _____

Project Name: _____

Note: _____ Type: _____



MATTE GOLD



WHITE



BLACK ON BLACK



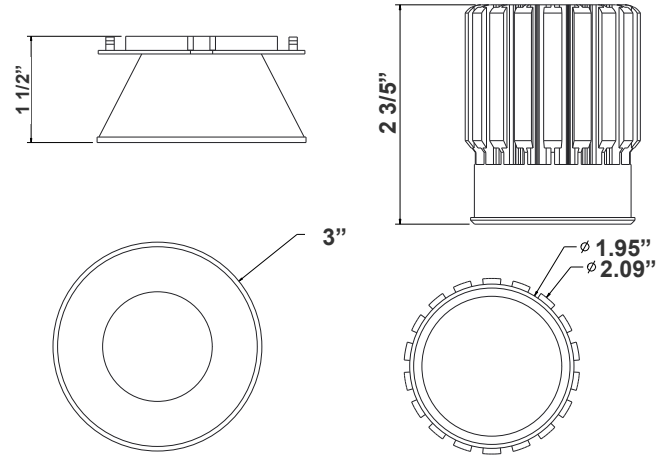
BLACK



CLEAR



MATTE SILVER



4 1/3"(H) X 3"(D)
Box Dimensions:
5-1/4" x 1-5/8" x 1-1/8"
Junction Area Dimensions:
2-1/16" x 1-5/8" x 1-1/8"

Ideal for New as well as old residential and commercial constructions.

Features

- 4" LED Winded Recessed Trim
- Die-Cast Aluminum With White Powder Coat Finish
- 5-Year Warranty
- Junction Box Included With Fixture

Technical Specifications

Electrical:

- Voltage: 120VAC
- Wattage: 10W
- Power Factor: >0.90
- Efficacy: Up to 70 LM/W

Mechanical:

- Up to 9 AWG18 Wires
- Die-Cast Aluminum With White Powder Coat Finish
- Clear Glass Lens
- Junction Box Rated Up to 9 AWG18 Wires
- Type IC Rated: Approved for Direct Contact With Insulation
- Operating Temperature: 104°F
- Air-Tight And Type IC Rated: No Housing Required
- Damp Location Approved

Lighting:

- Multi CCT (Selectable Switch on the Back of the driver)
- Dimming: Dimmable Down to 10% Using Standard TRIAC LED Dimmer
- Total Lumens: 700LM
- Color Temperature: 2700K/3000K/3500K/4000K/5000K
- Color Rendering Index: >90
- Beam Angle: 24°
- Lifespan: 50,000 Hrs.

Applications:

- Ideal for New as well as old residential and commercial constructions.

Other Models:

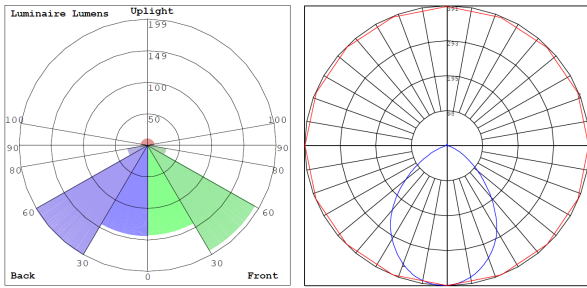
- 10W | 700LM | LRD-10W-MCT5-4WTR-MG/WH/ABK/BK/C/HZ



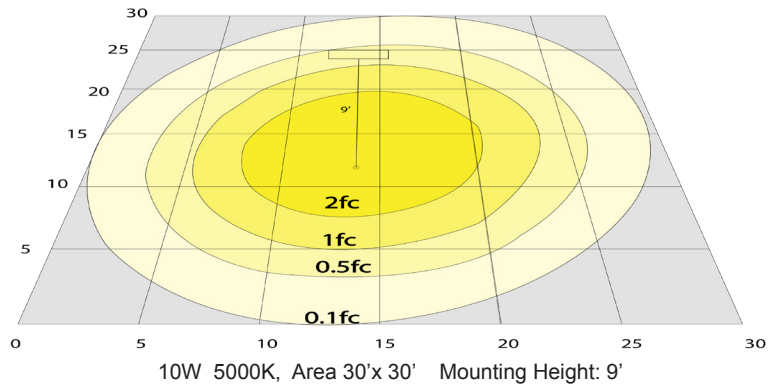
Phone: (877) 805-2252 | Fax: (877) 805-2252
www.westgatemfg.com



Photometrics: LRD-10W-MCT5-4WTR



BUG Rating: B1-U2-G0



Other Views:



LRD-WTR4-MG



LRD-EGN-MCT5-27K-D



LRD-10W-MCT5-4WTR-MG



LRD-WTR4-WH



LRD-EGN-10W-MCT5-D



LRD-10W-MCT5-4WTR-WH



LRD-WTR4-ABK



LRD-EGN-10W-MCT5-D



LRD-10W-MCT5-4WTR-ABK



LRD-WTR4-BK



LRD-EGN-10W-MCT5-D



LRD-10W-MCT5-4WTR-BK





LRD-WTR4-C



LRD-EGN-10W-MCT5-D



LRD-10W-MCT5-4WTR-C



LRD-WTR4-HZ



LRD-EGN-10W-MCT5-D



LRD-10W-MCT5-4WTR-HZ

Performance Table: LRD-10W-4WTR

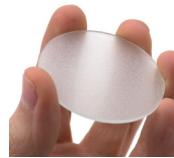
MODEL NO.	Wattage	Voltage	Lumens	Color Temp.	BUG Rating	LPW
LRD-10W-MCT5-4WTR	10W	120V	700LM	2700K	B1-U2-G0	70
				3000K		
				3500K		
				4000K		
				5000K		

Accessory:



Blank = No Option For Accessories
 LRD-FGL = LRD SERIES FROSTED GUASS LENS
 RSL4-RI-13 = 4" ROUND ROUGH-IN PLATE, 13" LONG
 RSL4-RI = 4" ROUND ROUGH-IN PLATE, 26" LONG

Accessory:



LRD-FGL



RSL4-RI-13
4" Round Rough-in Plate,
13" Long



RSL4-RI
4" Round Rough-in Plate,
26" Long

Sample Ordering

Model	Wattage	Color Temp.	Size	Size				
LRD	-	10W	-	MCT5	-	4WTR	-	

MG = MATTE GOLD
 WH = WHITE
 ABK = BLACK ON BLACK
 BK = BLACK
 C = CLEAR
 HZ = MATTE SILVER

