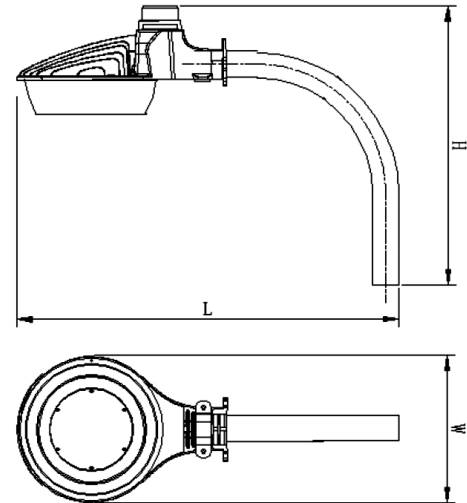


**DIMENSIONS:**

24"(L) x 11"(W) x 21-1/4"(H)



**LR2-80CW-P**

**AREA LIGHT WITH NEMA TWIST-LOCK POTOCELL**

Ideal for general site lighting, alleys, loading docks, doorway, pathway, and parking areas.

**ELECTRICAL SPECIFICATIONS:**

- Voltage: 120~277 VAC /60 Hz
- Wattage: 80W
- Power factor: 0.9
- Efficacy: 118LM/W

**HOUSING SPECIFICATIONS:**

- Die-cast aluminum housing
- Aluminum LED board: High conductive, waterproof, aging resistance, salt resistance
- Arm & Mounting Strap Included
- NEMA Twist lock Photocell Included
- Operating temperature: -4°F to 104°F
- Lifespan: 70,000 hr.
- IP Rating: IP65, suitable for wet locations

**CERTIFICATIONS: UL, DLC**

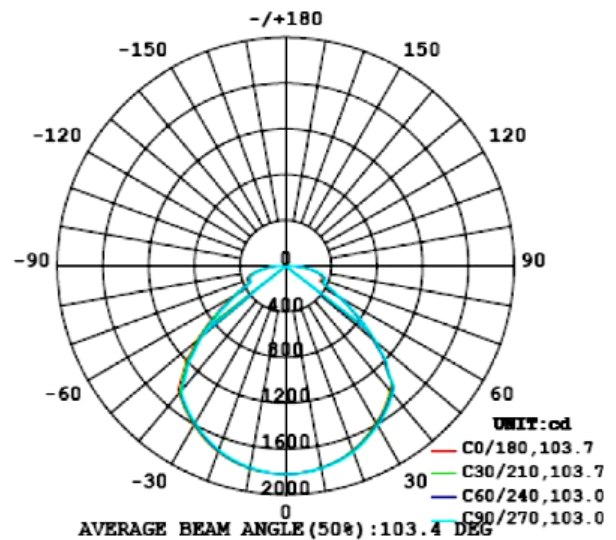


MODEL	WATTS	VOLTAGE	LUMENS	COLOR TEMP
LR2-80CW-P	80W	120~277 VAC	9500 LM	5000K

**LIGHTING SPECIFICATIONS:**

- Dimmable: 0~10 Dimming
- Lens: High light transmittance Polycarbonate Lens
- LED Chip: Philips Lumileds LEDs
- Total lumens: 9500 LM
- Color temperature: 5000K/4000K/3000K
- Color rendering index: >80
- Beam Angel: 90°

**PHOTOMETRY:**



**WARRANTY: 7 years**

