

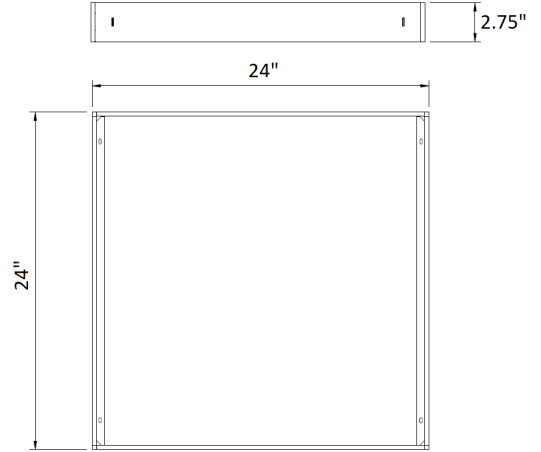
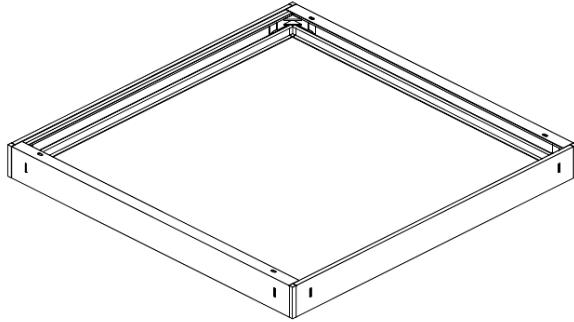
JOB NAME: _____

DATE: _____

TYPE: _____

DIMENSIONS:

24"(L) x 24"(H) x 2.75"(D)



LPNG-SRFC-2X2

SURFACE MOUNTING KIT FOR 2X2 PANEL

- Surface mounting kit for 2X2 panel
- Material: Aluminum
- Finish: White

WARRANTY: 5 years

