

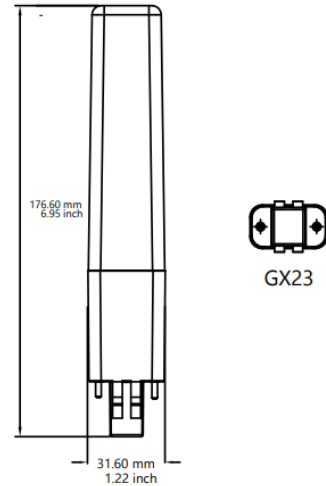
JOB NAME: _____

DATE: _____

TYPE: _____



DIMENSIONS:



LPL-GX23-AB-8W

LED LP LAMPS

Ideal for New as well as old residential and commercial constructions.

ELECTRICAL SPECIFICATIONS:

- Voltage: 120~277V
- Wattage: 11W
- Power factor: >0.95
- Efficacy: 100LM/W

HOUSING SPECIFICATIONS:

- PC + Aluminum Housing with white finish
- Operating temperature: -4°F ~ 113°F
- IP Rate: IP22
- Lifespan: 50,000 Hrs.

CERTIFICATIONS: UL



WARRANTY: 5 years

MODEL	WATTS	VOLTAGE	LUMENS	COLOR TEMP
LPL-GX23-AB-8W	8W	120~277V	800LM	4000K

LIGHTING SPECIFICATIONS:

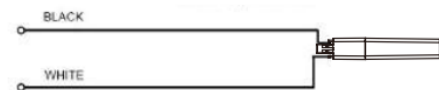
- Dimming: Non-dimmable
- Type: A + B
- Required Base: GX23 Base
- Total lumens: 800LM
- Color temperature: 4000K
- Color rendering index: >80

WIRING DAIGRAM

Wiring Diagram for Electronic Ballast



Circuit after Retrofit:



Wiring Diagram for Magnetic Ballast:

