

JOB NAME: _____

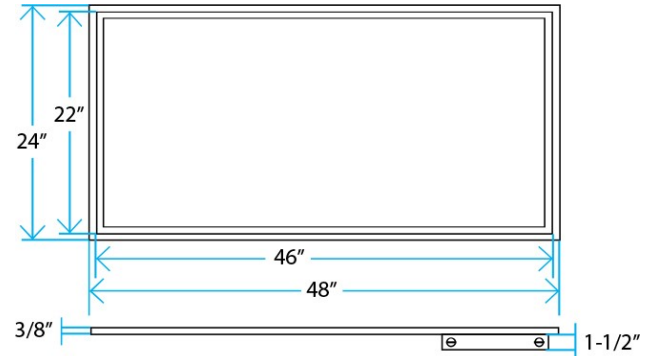
DATE: _____

TYPE: _____

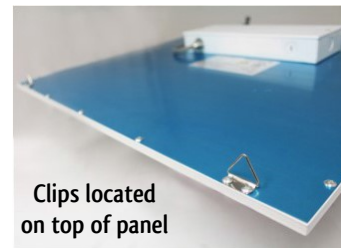


DIMENSIONS:

24"(W) x 48"(L) x 1-7/8"(H)



- LP-2X4-72W-50K-D
- LP-2X4-72W-40K-D
- LP-2X4-72W-35K-D
- LP-2X4-72W-27K-D



LED Panel Lights (2X4)

Superb brightness, soft and wide light emitting panel lights that use 75% less energy than traditional panel lights.

ELECTRICAL SPECIFICATIONS:

- Input Wattage: 72W
- Input Voltage: 100-277VAC 50/60Hz
- Power factor: >0.9
- Efficacy: 100LM/W~110LM/W

HOUSING SPECIFICATIONS:

- Ultra slim design, only 1-7/8" thick
- Lifespan: 50000 Hrs.
- IP rating: Damp Rated
- Operating temperature: -4°F~113°F

CERTIFICATIONS: UL, DLC (Except 27K)



MODEL	WATTS	VOLTAGE	LUMENS	COLOR TEMP
LP-2X4-72W-50K-D	72W	100~277V AC	7920LM	5000K
LP-2X4-72W-40K-D	72W	100~277V AC	7920LM	4000K
LP-2X4-72W-35K-D	72W	100~277V AC	7560LM	3500K
LP-2X4-72W-27K-D	72W	100~277V AC	7200LM	2700K



LP-SRFC-2X4



LP-SSPD-2X4



ELB-1248-EXTR

MODEL	DESCRIPTION
LP-SRFC-2X4	SURFACE MOUNTING KIT (WHITE ALUMINUM FRAME)
LP-SSPD-2X4	ADJUSTABLE AIRCRAFT SUSPENSION CABLE (5 FT MAX)
ELB-1248-EXTR	FIELD-INSTALLED EMERGENCY BALLAST

LIGHTING SPECIFICATIONS:

- Dimming: 0~10V dimmable
- LED type/brand: SMD4014
- Total lumens: 7200LM, 7560LM and 7920LM
- Color temperature: 2700K / 3500K / 4000K / 5000K
- Color rendering index: >82

WARRANTY: 5 years

• Phone (877) 805-2252 • Fax (877) 809-2252



LP-2X4-72W-50K-D LP-2X4-72W-40K-D

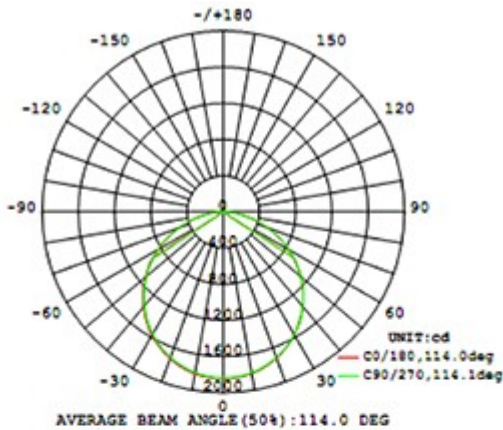
LP-2X4-72W-35K-D LP-2X4-72W-27K-D

LED Panel Lights (2X4)

CERTIFICATIONS: UL, DLC (Except 27K)



PHOTOMETRICS:



Flux out: 3945 lm

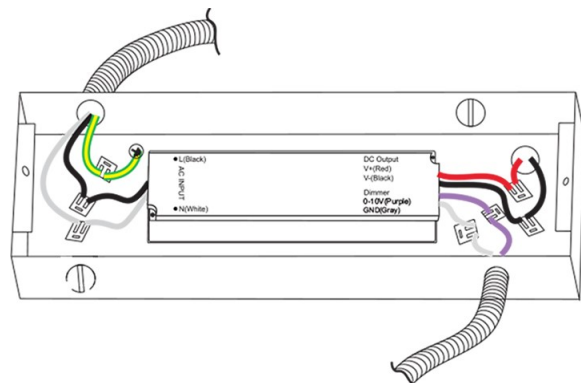
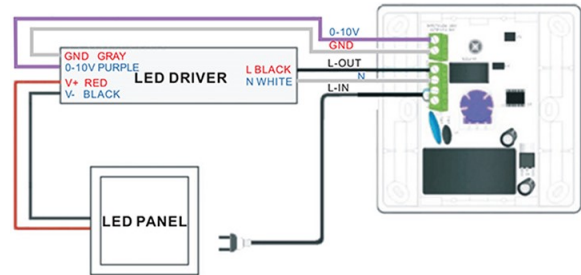
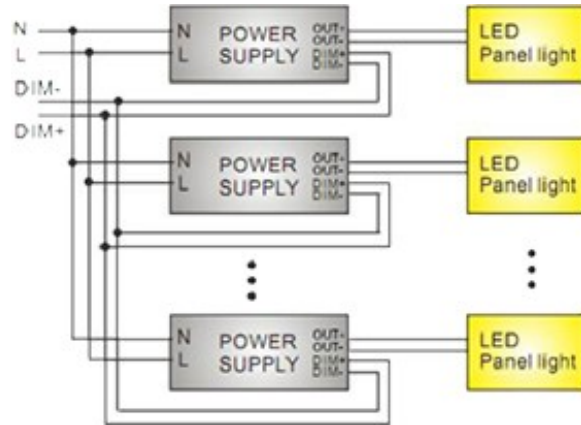
Height	Eavg, Emax	Angle: 113.73deg	Diameter
1m	529.6, 1046lx		306.41cm
2m	132.4, 461.5lx		612.83cm
3m	58.84, 205.1lx		919.24cm
4m	33.10, 115.4lx		1225.66cm
5m	21.18, 73.84lx		1532.07cm

Note: The Curves indicate the illuminated area and the average illumination when the luminaire is at different distance.

MODEL	WATTS	VOLTAGE	LUMENS	COLOR TEMP
LP-2X4-72W-50K-D	72W	100~277V AC	7920LM	5000K
LP-2X4-72W-40K-D	72W	100~277V AC	7920LM	4000K
LP-2X4-72W-35K-D	72W	100~277V AC	7560LM	3500K
LP-2X4-72W-27K-D	72W	100~277V AC	7200LM	2700K

WIRING DIAGRAM:

Installation with 0~10V Dimmable Driver:



LP-2X4-72W-50K-D
LP-2X4-72W-40K-D

LP-2X4-72W-35K-D
LP-2X4-72W-27K-D

LED Panel Lights (2X4)

CERTIFICATIONS: UL, DLC (Except 27K)

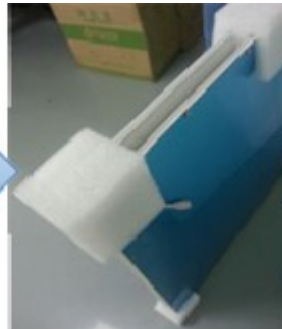
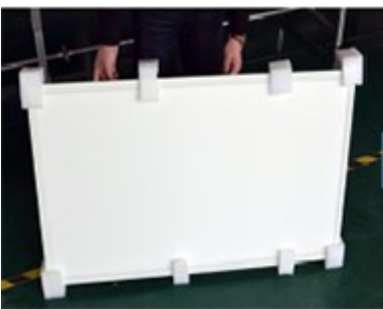
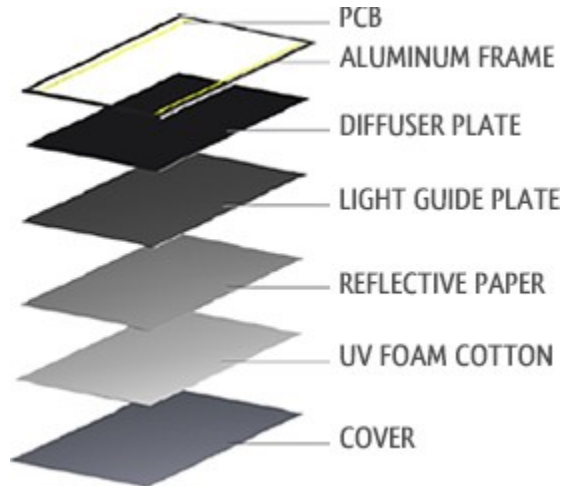


PACKAGING:

PART NO.	PACKAGE DIMENSION	N.W.	G.W.
LP-2x2 24"X24"X1.875"	26" X 4.3" X 26" 2pcs/carton	10.4 lb/pc	21.6 lb/ctn
LP-1X4 12"X48"X1.875"	50" X 4.3" X 14" 2pcs/carton	10.4 lb/pc	24.5 lb/ctn
LP-2X4 24"X48"X1.875"	50" X 4.3" X 26" 2pcs/carton	19.6 lb/pc	41 lb/ctn

MODEL	WATTS	VOLTAGE	LUMENS	COLOR TEMP
LP-2X4-72W-50K-D	72W	100~277V AC	7920LM	5000K
LP-2X4-72W-40K-D	72W	100~277V AC	7920LM	4000K
LP-2X4-72W-35K-D	72W	100~277V AC	7560LM	3500K
LP-2X4-72W-27K-D	72W	100~277V AC	7200LM	2700K

STRUCTURE:



WARNING:

- Please use product within the specified range of voltage.
- Please follow the correct installation steps to install the product, and do not touch when it is switched on
- Please turn power off during installation and removal to avoid risk of electric shock.
- Please install the panel in the correct sized fixture.
- Do not look directly at LED light source for a long time.



LP-2X4-72W-50K-D
LP-2X4-72W-40K-D

LP-2X4-72W-35K-D
LP-2X4-72W-27K-D

LED Panel Lights (2X4)

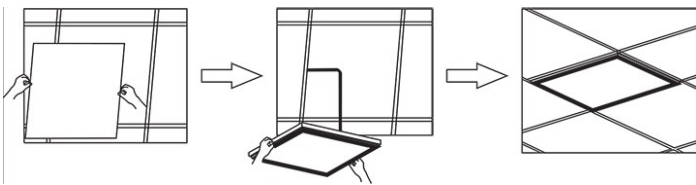
CERTIFICATIONS: UL, DLC (Except 27K)



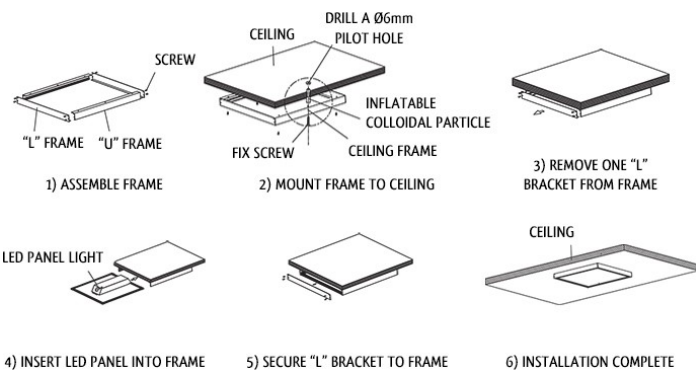
MODEL	WATTS	VOLTAGE	LUMENS	COLOR TEMP
LP-2X4-72W-50K-D	72W	100~277V AC	7920LM	5000K
LP-2X4-72W-40K-D	72W	100~277V AC	7920LM	4000K
LP-2X4-72W-35K-D	72W	100~277V AC	7560LM	3500K
LP-2X4-72W-27K-D	72W	100~277V AC	7200LM	2700K

INSTALLATION OPTIONS:

Drop panel into existing ceiling panel mount



Install panel into LP-SRFC-2x4
- Surface Mounting Kit (White Frame)



Hang panel with LP-SSPD-2X4
- Adjustable Aircraft Cable Suspension Kit

