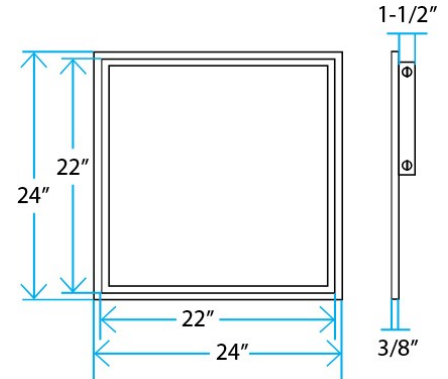


Clips located on top of panel

DIMENSIONS:

24"(W) x 24"(L) x 1-7/8"(H)



LP-2X2-40W-50K-D-HL LP-2X2-40W-40K-D-HL

LED Panel Lights (2X2) PREMIUM HIGH-OUTPUT

Superb brightness, soft and wide light emitting panel lights that use 75% less energy than traditional panel lights.

ELECTRICAL SPECIFICATIONS:

- Input Wattage: 40W
- Input Voltage: 100-277VAC 50/60Hz
- Power factor: >0.9
- Efficacy: 130LM/W

HOUSING SPECIFICATIONS:

- Ultra slim design, only 1-7/8" thick
- Lifespan: 50000 Hrs.
- IP rating: Damp Rated
- Operating temperature: -4°F~113°F

CERTIFICATIONS: UL, DLC



MODEL	WATTS	VOLTAGE	LUMENS	COLOR TEMP
LP-2X2-40W-50K-D-HL	40W	100~277V AC	5280LM	5000K
LP-2X2-40W-40K-D-HL	40W	100~277V AC	5280LM	4000K



LP-SRFC-2X2



LP-SSPD-2X2



ELB-1248-EXTR

MODEL	DESCRIPTION
LP-SRFC-2X2	SURFACE MOUNTING KIT (WHITE ALUMINUM FRAME)
LP-SSPD-2X2	ADJUSTABLE AIRCRAFT SUSPENSION CABLE (5 FT MAX)
ELB-1248-EXTR	FIELD-INSTALLED EMERGENCY BALLAST

LIGHTING SPECIFICATIONS:

- Dimming: 0~10V dimmable
- LED type/brand: SMD4014
- Total lumens: 5280LM
- Color temperature: 4000K / 5000K
- Color rendering index: >82

WARRANTY: 5 years



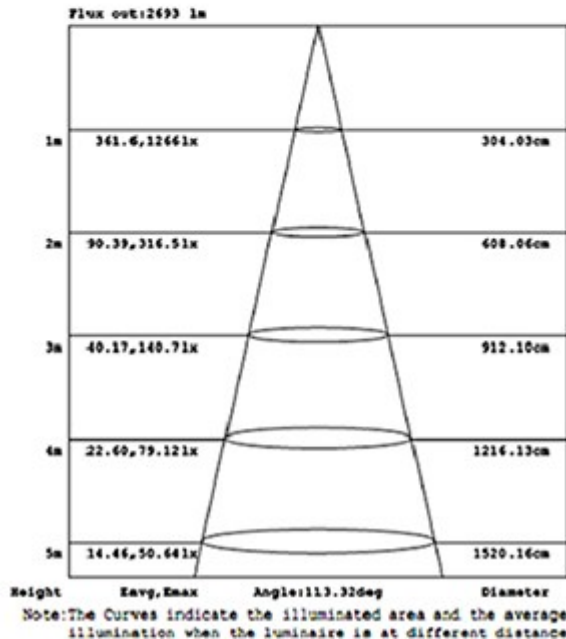
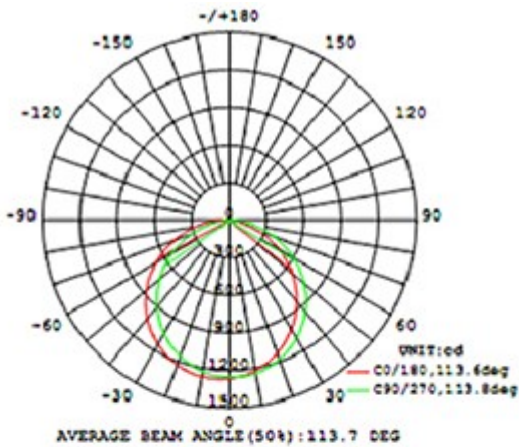
LP-2X2-40W-50K-D-HL LP-2X2-40W-40K-D-HL

LED Panel Lights (2X2) PREMIUM HIGH-OUTPUT

CERTIFICATIONS: UL, DLC



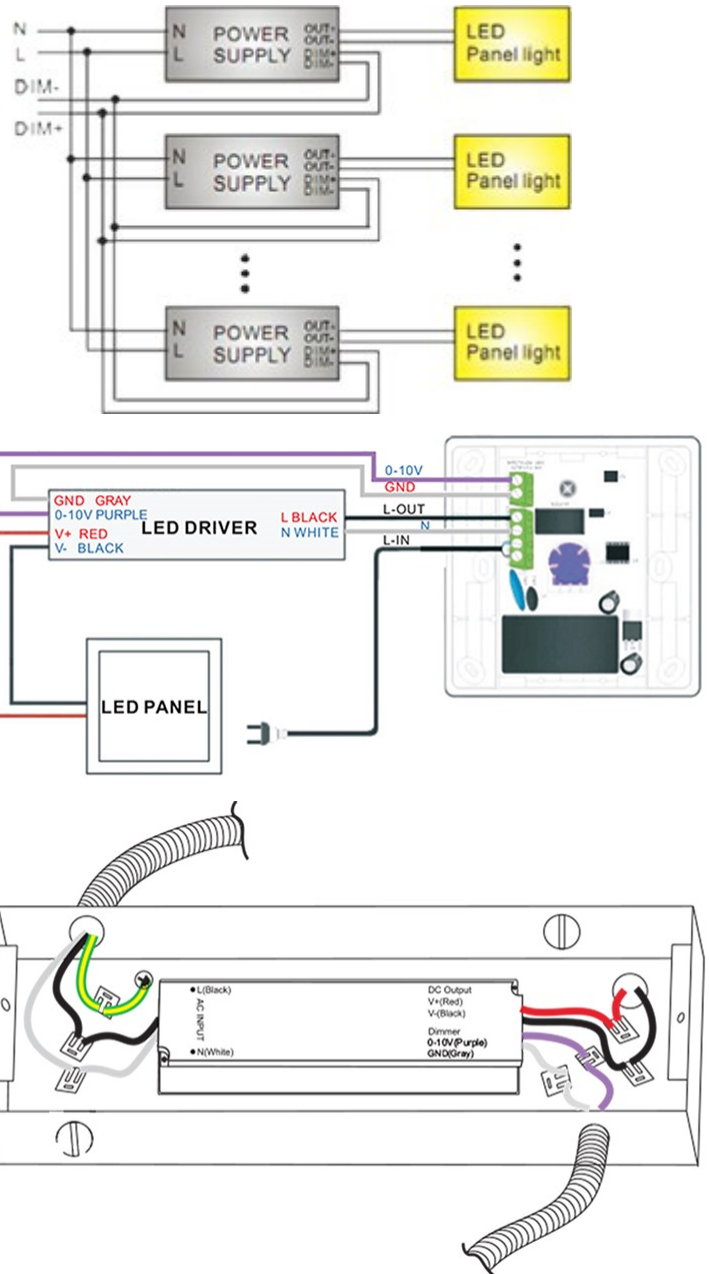
PHOTOMETRICS:



MODEL	WATTS	VOLTAGE	LUMENS	COLOR TEMP
LP-2X2-40W-50K-D-HL	40W	100~277V AC	5280LM	5000K
LP-2X2-40W-40K-D-HL	40W	100~277V AC	5280LM	4000K

WIRING DIAGRAM:

Installation with 0~10V Dimmable Driver:



LP-2X2-40W-50K-D-HL LP-2X2-40W-40K-D-HL

LED Panel Lights (2X2) PREMIUM HIGH-OUTPUT

CERTIFICATIONS: UL, DLC

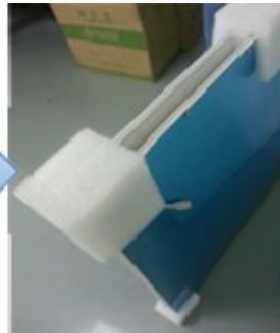
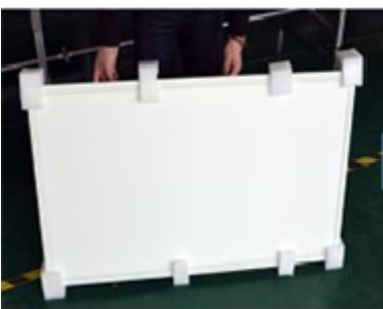
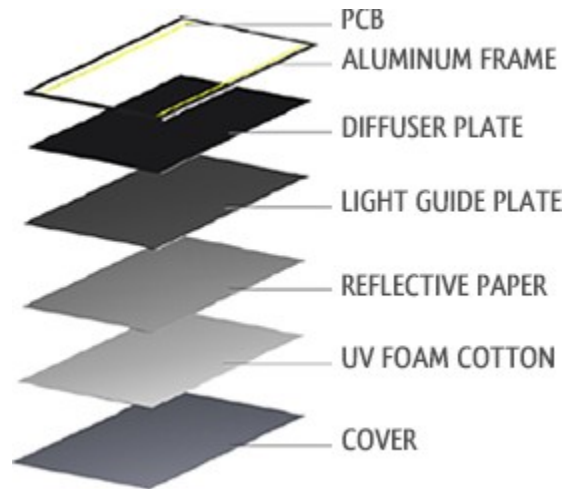


PACKAGING:

PART NO.	PACKAGE DIMENSION	N.W.	G.W.
LP-2x2 24"X24"X1.875"	26" X 4.3" X 26" 2pcs/carton	10.4 lb/pc	21.6 lb/ctn
LP-2X4 24"X48"X1.875"	50" X 4.3" X 26" 2pcs/carton	19.6 lb/pc	41 lb/ctn

MODEL	WATTS	VOLTAGE	LUMENS	COLOR TEMP
LP-2X2-40W-50K-D-HL	40W	100~277V AC	5280LM	5000K
LP-2X2-40W-40K-D-HL	40W	100~277V AC	5280LM	4000K

STRUCTURE:



WARNING:

- Please use product within the specified range of voltage.
- Please follow the correct installation steps to install the product, and do not touch when it is switched on
- Please turn power off during installation and removal to avoid risk of electric shock.
- Please install the panel in the correct sized fixture.
- Do not look directly at LED light source for a long time.



LP-2X2-40W-50K-D-HL LP-2X2-40W-40K-D-HL

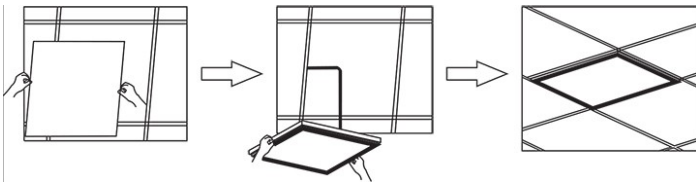
LED Panel Lights (2X2) PREMIUM HIGH-OUTPUT

CERTIFICATIONS: UL, DLC

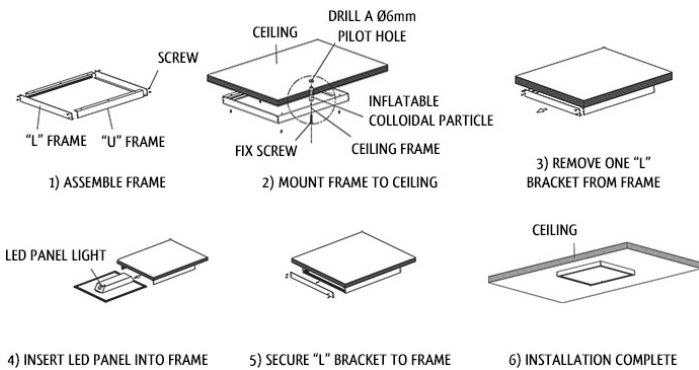


INSTALLATION OPTIONS:

Drop panel into existing ceiling panel mount



Install panel into LP-SRFC-2x2
- Surface Mounting Kit (White Frame)



MODEL	WATTS	VOLTAGE	LUMENS	COLOR TEMP
LP-2X2-40W-50K-D-HL	40W	100~277V AC	5280LM	5000K
LP-2X2-40W-40K-D-HL	40W	100~277V AC	5280LM	4000K

Hang panel with LP-SSPD-2X2
- Adjustable Aircraft Cable Suspension Kit

