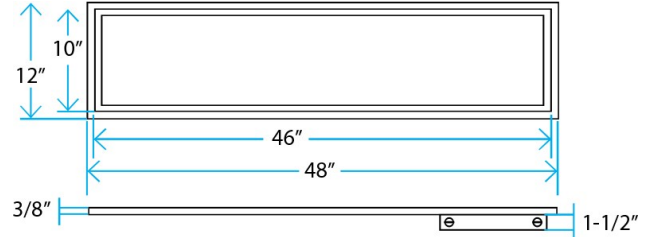
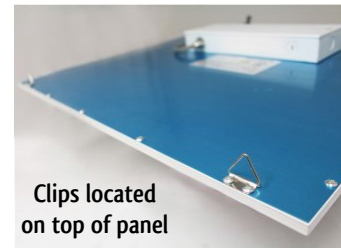


### DIMENSIONS:

12"(W) x 48"(L) x 1-7/8"(H)



- LP-1X4-45W-50K-D
- LP-1X4-45W-40K-D
- LP-1X4-45W-35K-D
- LP-1X4-45W-27K-D



## LED Panel Lights (1X4)

Superb brightness, soft and wide light emitting panel lights that use 75% less energy than traditional panel lights.

### ELECTRICAL SPECIFICATIONS:

- Input Wattage: 45W
- Input Voltage: 100-277VAC 50/60Hz
- Power factor: >0.9
- Efficacy: 100LM/W~115LM/W

### HOUSING SPECIFICATIONS:

- Ultra slim design, only 1-7/8" thick
- Lifespan: 50000 Hrs.
- IP rating: Damp Rated
- Operating temperature: -4°F~113°F

### CERTIFICATIONS: UL, DLC (Except 27K)



MODEL	WATTS	VOLTAGE	LUMENS	COLOR TEMP
LP-1X4-45W-50K-D	45W	100~277V AC	5175LM	5000K
LP-1X4-45W-40K-D	45W	100~277V AC	5175LM	4000K
LP-1X4-45W-35K-D	45W	100~277V AC	4950LM	3500K
LP-1X4-45W-27K-D	45W	100~277V AC	4500LM	2700K



LP-SRFC-1X4



LP-SSPD-1X4



ELB-1248-EXTR

MODEL	DESCRIPTION
LP-SRFC-1X4	SURFACE MOUNTING KIT (WHITE ALUMINUM FRAME)
LP-SSPD-1X4	ADJUSTABLE AIRCRAFT SUSPENSION CABLE (5FT MAX)
ELB-1248-EXTR	FIELD-INSTALLED EMERGENCY BALLAST

### LIGHTING SPECIFICATIONS:

- Dimming: 0~10V dimmable
- LED type/brand: SMD4014
- Total lumens: 4500LM, 4950LM and 5175LM
- Color temperature: 2700K / 3500K / 4000K / 5000K
- Color rendering index: >82

### WARRANTY: 5 years



## LP-1X4-45W-50K-D LP-1X4-45W-40K-D

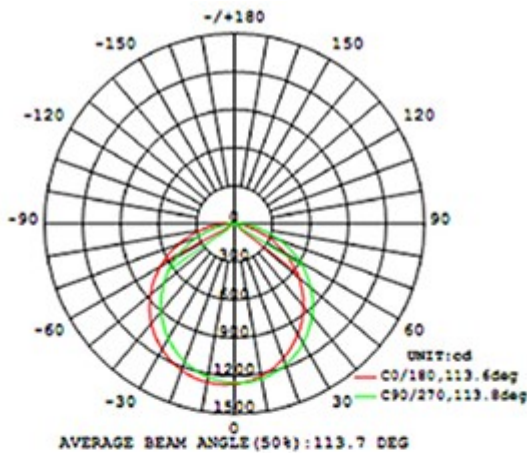
## LP-1X4-45W-35K-D LP-1X4-45W-27K-D

### LED Panel Lights (1X4)

**CERTIFICATIONS:** UL, DLC (Except 27K)



### PHOTOMETRICS:



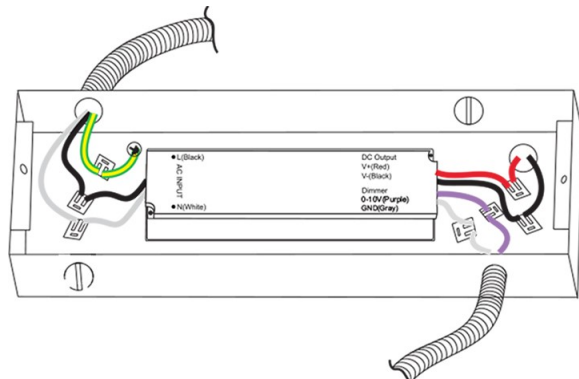
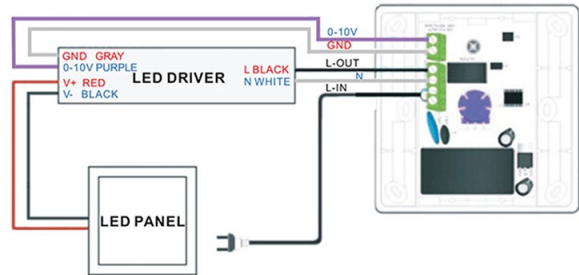
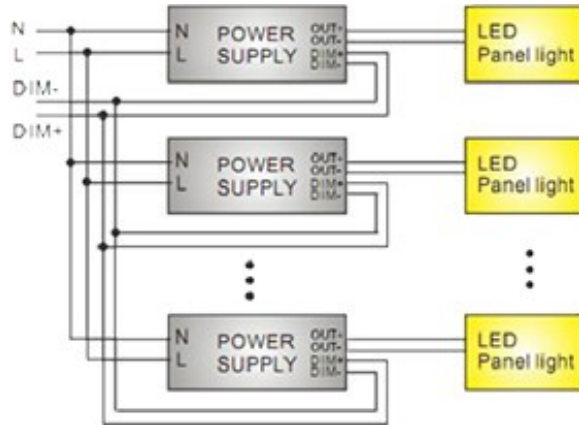
Height	Eavg, Emax	Angle: 113.32deg	Diameter
1m	361.6, 1266lx		304.03cm
2m	90.39, 316.5lx		608.06cm
3m	40.17, 140.7lx		912.10cm
4m	22.60, 79.12lx		1216.13cm
5m	14.46, 50.64lx		1520.16cm

Note: The Curves indicate the illuminated area and the average illumination when the luminaire is at different distance.

MODEL	WATTS	VOLTAGE	LUMENS	COLOR TEMP
LP-1X4-45W-50K-D	45W	100~277V AC	5175LM	5000K
LP-1X4-45W-40K-D	45W	100~277V AC	5175LM	4000K
LP-1X4-45W-35K-D	45W	100~277V AC	4950LM	3500K
LP-1X4-45W-27K-D	45W	100~277V AC	4500LM	2700K

### WIRING DIAGRAM:

Installation with 0~10V Dimmable Driver:



## LP-1X4-45W-50K-D LP-1X4-45W-40K-D

## LP-1X4-45W-35K-D LP-1X4-45W-27K-D

### LED Panel Lights (1X4)

#### CERTIFICATIONS: UL, DLC (Except 27K)

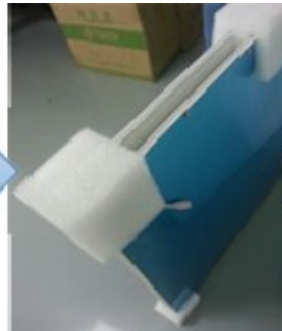
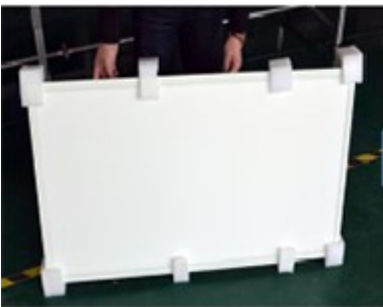
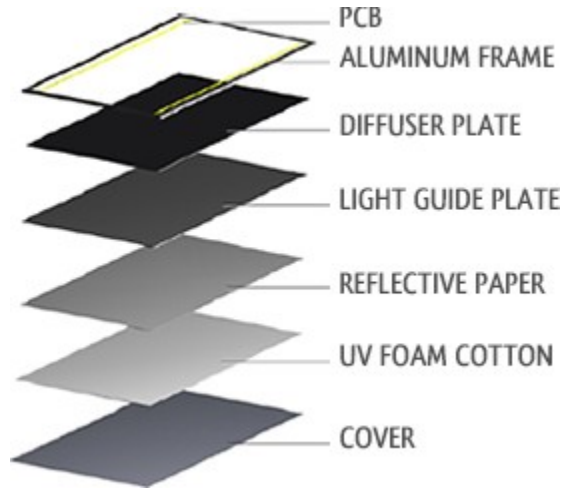


#### PACKAGING:

PART NO.	PACKAGE DIMENSION	N.W.	G.W.
LP-2x2 24"X24"X1.875"	26" X 4.3" X 26" 2pcs/carton	10.4 lb/pc	21.6 lb/ctn
LP-1X4 12"X48"X1.875"	50" X 4.3" X 14" 2pcs/carton	10.4 lb/pc	24.5 lb/ctn
LP-2X4 24"X48"X1.875"	50" X 4.3" X 26" 2pcs/carton	19.6 lb/pc	41 lb/ctn

MODEL	WATTS	VOLTAGE	LUMENS	COLOR TEMP
LP-1X4-45W-50K-D	45W	100~277V AC	5175LM	5000K
LP-1X4-45W-40K-D	45W	100~277V AC	5175LM	4000K
LP-1X4-45W-35K-D	45W	100~277V AC	4950LM	3500K
LP-1X4-45W-27K-D	45W	100~277V AC	4500LM	2700K

#### STRUCTURE:



#### WARNING:

- Please use product within the specified range of voltage.
- Please follow the correct installation steps to install the product, and do not touch when it is switched on
- Please turn power off during installation and removal to avoid risk of electric shock.
- Please install the panel in the correct sized fixture.
- Do not look directly at LED light source for a long time.



## LP-1X4-45W-50K-D LP-1X4-45W-40K-D

## LP-1X4-45W-35K-D LP-1X4-45W-27K-D

### LED Panel Lights (1X4)

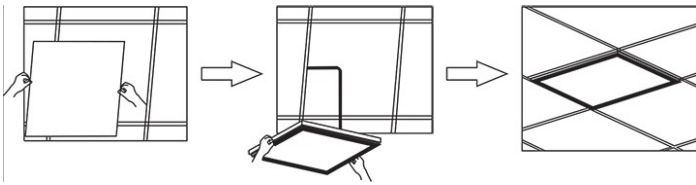
**CERTIFICATIONS:** UL, DLC (Except 27K)



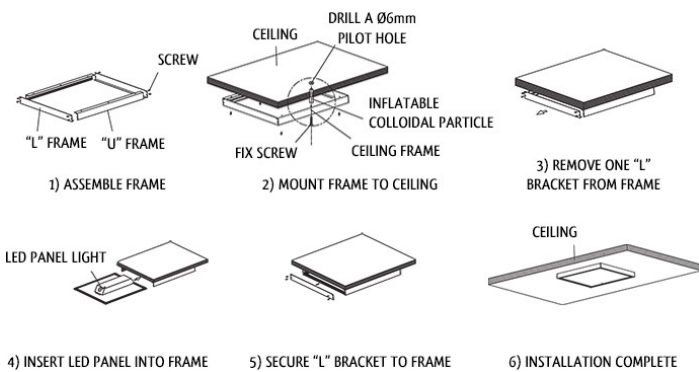
MODEL	WATTS	VOLTAGE	LUMENS	COLOR TEMP
LP-1X4-45W-50K-D	45W	100~277V AC	5175LM	5000K
LP-1X4-45W-40K-D	45W	100~277V AC	5175LM	4000K
LP-1X4-45W-35K-D	45W	100~277V AC	4950LM	3500K
LP-1X4-45W-27K-D	45W	100~277V AC	4500LM	2700K

### INSTALLATION OPTIONS:

Drop panel into existing ceiling panel mount



Install panel into LP-SRFC-1x4  
- Surface Mounting Kit (White Frame)



Hang panel with LP-SSPD-1X4  
- Adjustable Aircraft Cable Suspension Kit

