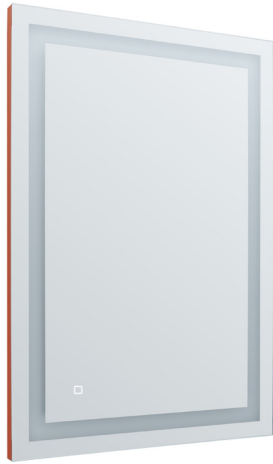


# LMIR SERIES Indoor Lighting

LMIR-54-2840-MCT-DF  
LED MIRRORS

**WESTGATE**  
THE FUTURE IS HERE...AND IT'S QUITE BRIGHT!



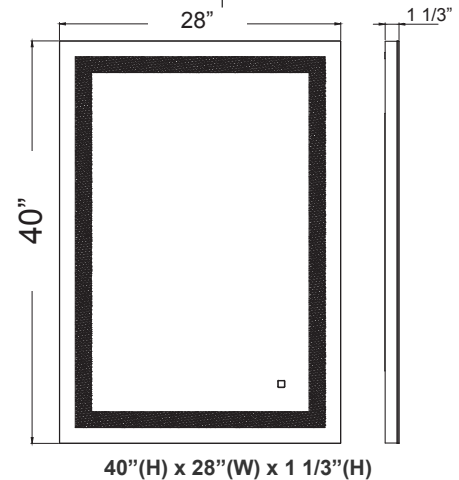
LED Mirrors And Cabinet Dimming With Defogger Feature Ideal for office, Retail Store, Showroom, Residential applications and Damp environment lighting applications.

Customer Name: \_\_\_\_\_

Project Name: \_\_\_\_\_

Note:

Type:



## Features

- Frontlit (Bar Pattern)
- Touch Sensor Switch
- Finish: Aluminium Frame
- 5mm Copper Free Silver Mirror
- MCT: Brightness & CCT Touch Buttons Located on The Mirror

## Technical Specifications

### Electrical:

- Voltage: 120V AC 60Hz
- Wattage: 48W
- Power Factor: >0.95
- Total Harmonic Distortion:  $\leq 20\%$
- Efficacy: 70 LPW

### Mechanical:

- Finish: Aluminium Frame
- Frontlit (Bar Pattern)
- Touch Sensor Switch
- Demister Pad
- IP44, Indoor Use only
- Operating Temperature:  $-22^{\circ}\text{F}$  to  $104^{\circ}\text{F}$
- 5-Year Warranty

### Lighting:

- Multi-CCT: Brightness & CCT Touch Buttons Located on The Mirror
- Color Temperatures: 3000K/4500K/6500K
- Color Rendering Index: CRI  $\geq 90$
- 50,000 Hours Rated Life

### Applications:

- LED Mirrors And Cabinet Dimming With Defogger Feature Ideal for Office, Retail Store, Showroom, Residential Applications and Damp Environment Lighting Applications

• 39W | LMIR-36-2436-MCT-DF



Phone: (877) 805-2252 | Fax: (877) 805-2252  
www.westgatemfg.com |

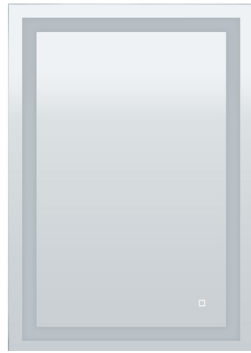


WG-ZB-26-2Z

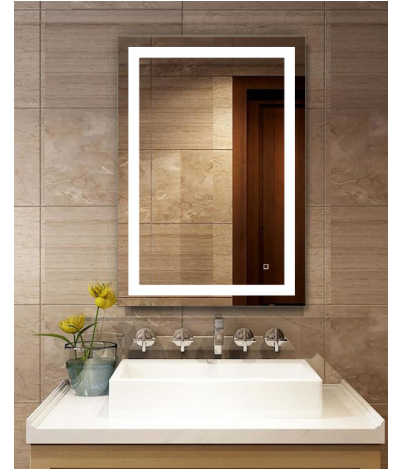
## Other Views:



Side View



Front View



Mounted View

## Performance Table: LMIR-54-2840-MCT-DF

MODEL NO.	Wattage	Voltage	Color Temp.
LMIR-54-2840-MCT-DF	48W	120V	3000K 4500K 6500K

## Sample Ordering

**Model Series No. Dimension Color Temp. Function**

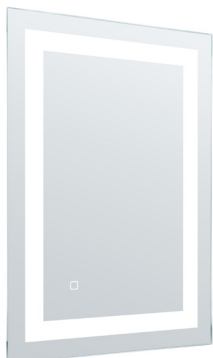
LMIR - 54 - 2840 - MCT - DF

## Example:

1. LMIR-54-2840-MCT-DF

(For LMIR 48W MCT fixture 120V)

## Other Model: LMIR-18-2028-MCT-DF



Side View



Front View



Mounted View