

LMIR SERIES Indoor Lighting

LMIR-18R-24D-MCT-DF
ROUND LED MIRRORS AND CABINET

MCT Multi Color Temperature (Selectable)

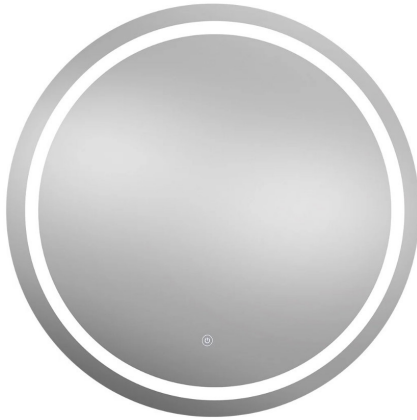
WESTGATE
THE FUTURE IS HERE...AND IT'S QUITE BRIGHT!

Customer Name: _____

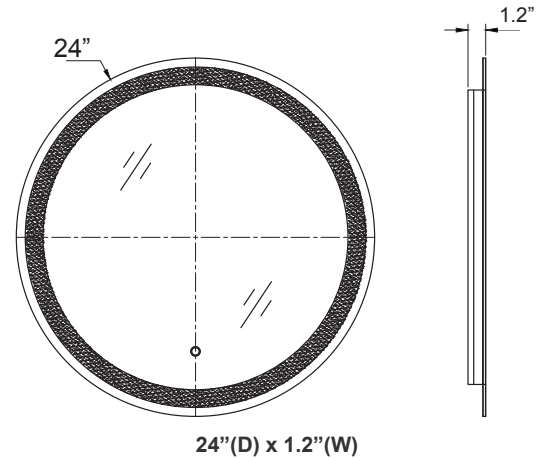
Project Name: _____

Note: _____

Type: _____



LED Mirrors And Cabinet Dimming With Defogger Feature Ideal for office, Retail Store, Showroom, Residential applications and Damp environment lighting applications.



Features

- Frontlit (Bar Pattern)
- Touch Sensor Switch
- Finish: Aluminium Frame
- 5mm Copper Free Silver Mirror
- MCT: Brightness & CCT Touch Buttons Located on The Mirror

Technical Specifications

Electrical:

- Voltage: 120V AC 50Hz
- Wattage: 30W
- Power Factor: >0.95
- Total Harmonic Distortion: $\leq 20\%$
- Efficacy: 70 LPW

Mechanical:

- Finish: Aluminium Frame
- Frontlit (Bar Pattern)
- Touch Sensor Switch
- Demister Pad
- IP44, Indoor Use only
- Operating Temperature: -22°F to 104°F
- 5-Year Warranty

Touch Buttons Instructions:

- On/Off: short press the touch button to turn on or off the light and relay at the same time
- Color temperature adjustment: When the light is on, short press the touch button to switch the color temperature, and the settings will be stored in the memory
- Dimming: when the light is on, long press (hold) the touch button to adjust the brightness, stepless non-cyclic adjustment of light brightness

Lighting:

- Multi-CCT: Brightness & CCT Touch Buttons Located on The Mirror
- Total Lumens: 2100LM
- Color Temperatures: 3000K/4500K/6500K
- Color Rendering Index: CRI ≥ 90
- 50,000 Hours Rated Life

Applications:

- LED Mirrors And Cabinet Dimming With Defogger Feature Ideal for Office, Retail Store, Showroom, Residential Applications and Damp Environment Lighting Applications

• 44W | LMIR-18-2436-MCT-DF

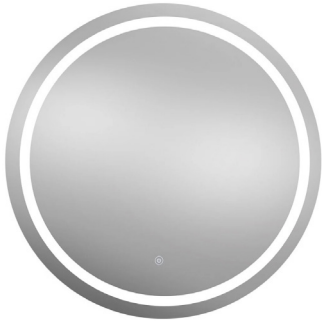


Phone: (877) 805-2252 | Fax: (877) 805-2252
www.westgatemfg.com |



WG-ZB-26-2Z

Other Views:



Front View



Back View



Mounted View

Performance Table: LMIR-18R-24D-MCT-DF

MODEL NO.	Wattage	Voltage	Lumens	Color Temp	LPW
LMIR-18R-24D-MCT-DF	30W	120V	2100LM	3000K 4500K 6500K	70

Sample Ordering

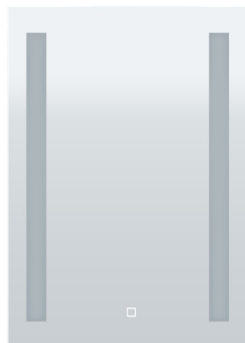
Model Size Dimension Color Temp. Function

LMIR - 18R - 24D - MCT - DF

Other Model: LMIR-36-2028-MCT-DF



Side View



Front View



Mounted View