

LMIR SERIES Indoor Lighting

LMIR-18-2436-MCT-DF
LED MIRRORS

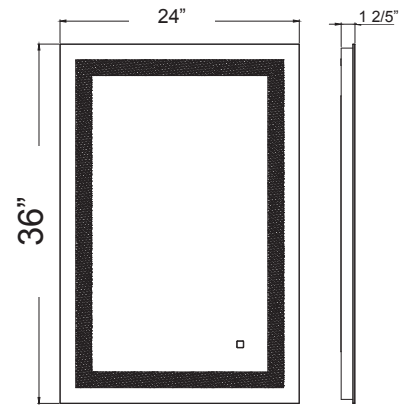
WESTGATE
THE FUTURE IS HERE...AND IT'S QUITE BRIGHT!



Customer Name: _____

Project Name: _____

Note: _____ Type: _____



36"(H) x 24"(W) x 1 2/5"(H)

LED Mirrors And Cabinet Dimming With Defogger Feature Ideal for office, Retail Store, Showroom, Residential applications and Damp environment lighting applications.

Features

- Frontlit (Bar Pattern)
- Touch Sensor Switch
- Finish: Aluminium Frame
- 5mm Copper Free Silver Mirror
- MCT: Brightness & CCT Touch Buttons Located on The Mirror

Technical Specifications

Electrical:

- Voltage: 120V AC 50Hz
- Wattage: 44W
- Power Factor: >0.95
- Total Harmonic Distortion: $\leq 20\%$

Lighting:

- Multi-CCT: Brightness & CCT Touch Buttons Located on The Mirror
- Color Temperatures: 3000K 4500K 6500K
- Color Rendering Index: CRI ≥ 90
- 50,000 Hours Rated Life

Mechanical:

- Finish: Aluminium Frame
- Frontlit (Bar Pattern)
- Touch Sensor Switch
- Demister Pad
- IP44, Indoor Use only
- Operating Temperature: -22°F to 104°F
- 5-Year Warranty

Applications:

- LED Mirrors And Cabinet Dimming With Defogger Feature Ideal for Office, Retail Store, Showroom, Residential Applications and Damp Environment Lighting Applications

• 39W | LMIR-36-2436-MCT-DF



Phone: (877) 805-2252 | Fax: (877) 805-2252
www.westgatemfg.com |



WG-ZB-26-2Z

Other Views:



Side View



Front View



Mounted View

Performance Table: LMIR-18-2436-MCT-DF

MODEL NO.	Wattage	Voltage	Color Temp.
LMIR-18-2436-MCT-DF	44W	120V	3000K 4500K 6500K

Sample Ordering

Model Series o.Dimension Color Temp. Function

LMIR - 18 - 2436 - MCT - DF

Example:

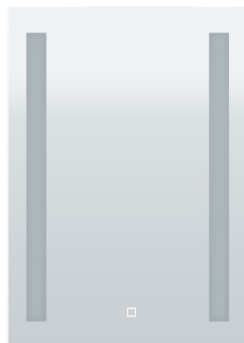
1. LMIR-18-2436-MCT-DF

(For LMIR 35W MCT fixture 120V)

Other Model: LMIR-36-2436-MCT-DF



Side View



Front View



Mounted View