

# LLVT SERIES Industrial Lighting

LLVT-4FT-150W-40K-D-480V  
LLVT-4FT-150W-50K-D-480V



**MCT**

Selection:



Suitable for restaurants, bakeries, food facilities, gyms, pool areas workshops, garages, canopies, parking garages, cold storage facilities, food processing facilities, farmyards, and other harsh, humid, dusty, and wet environment lighting applications, and any application where NSF certified fixtures or high-end architectural designer grade fixtures are required.

NSF/ANSI 2:2015 Food Equipment: Splash Zone: Equipment surfaces that are subject to splash and food spillage during operation of the equipment other than those in a direct contact food-zone.

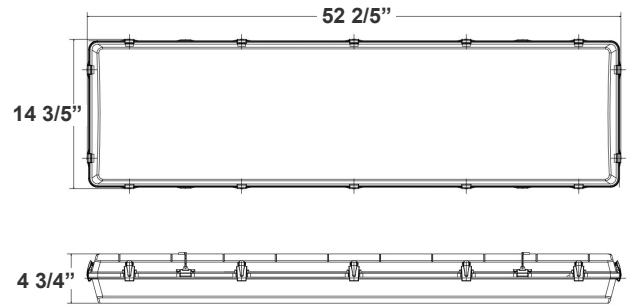
**WESTGATE**  
THE FUTURE IS HERE...AND IT'S QUITE BRIGHT!

Customer Name: \_\_\_\_\_

Project Name: \_\_\_\_\_

Note: \_\_\_\_\_

Type: \_\_\_\_\_



52 2/5"(L) x 14 3/5"(W) x 4 3/4"(H)

## Features

- Grey Finish
- 5-Year Warranty
- 50,000 Hours Rated Life
- Lens: Clear Polycarbonate (Opal Lens Available)
- Vandal-Proof Polycarbonate Lens

## Technical Specifications

### Electrical:

- Voltage: 480V
- Wattage: 150W
- Power Factor: >0.98
- Efficacy: 135 LPW

### Mechanical:

- Grey Finish
- Housing: Polycarbonate
- NSF Certified: NSF/ANSI 2 - Food Equipment. for Splash Zone and Non Food Zone
- Vandal-Proof Polycarbonate Lens
- Stainless Steel Clamp
- Polycarbonate Construction is Highly Impact Resistant
- UV-stabilized Polycarbonate Diffuser Eliminates Glare
- Diffuser Crystals Enhance Even Light Distribution
- Stainless Steel Clips Evenly Seal the Luminaire
- Operating Temp: -22°F to 110°F
- Suitable for Wet Locations
- IP Rating: IP65

### Lighting:

- Dimmable: 0~10V Dimming
- LED SMD type: Edison 2835
- Total Lumens: 20250LM
- Color Temperatures: 4000K/ 5000K
- Color Rendering Index: CRI ≥ 80

### Applications:

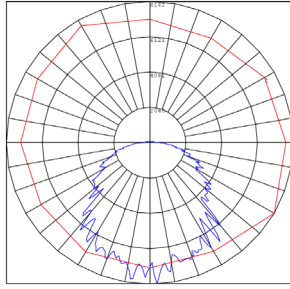
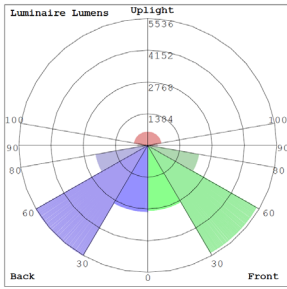
- Ideal for offices, retail stores, showrooms, and residential applications. Uniquely suited for areas where accessing the fixture is challenging
- Suitable for restaurants, bakeries, food facilities, gyms, pool areas, and any application where NSF certified fixtures or high-end architectural designer grade fixtures are required.
- NSF/ANSI 2:2015 Food Equipment: Splash Zone: Equipment surfaces that are subject to splash and food spillage during operation of the equipment other than those in a direct contact food-zone



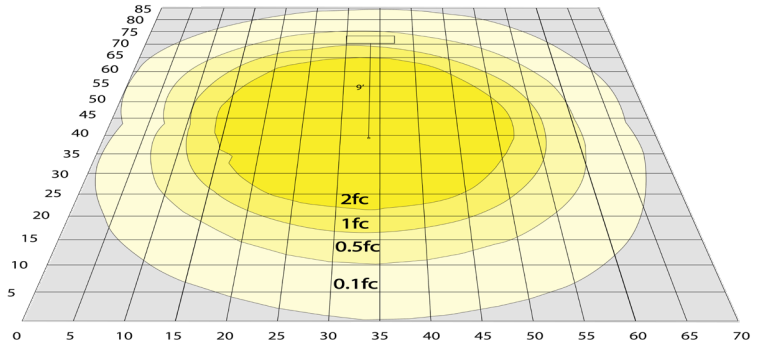
Phone: (877) 805-2252 | Fax: (877) 805-2252  
www.westgatemfg.com



**Photometrics:** LLVT-4FT-150W-D-480V



BUD Rating: B4-U4-G3

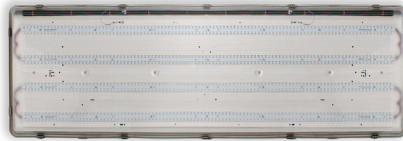


Area 85'x 70' Mounting Height: 9'

**Other Views:**



Side View



Front View



Back View

**Performance Table:** LLVT-4FT-150W-D-480V

MODEL NO.	Wattage	Voltage	Lumens	Color Temp.	BUG Rating	LPW
LLVT-4FT-150W-40K-D-480V	150W	480V	20250LM	4000K	B4-U4-G3	135
LLVT-4FT-150W-50K-D-480V	150W	480V	20250LM	5000K	B4-U4-G3	135

**Sample Ordering**

Model	Size	Wattage	Color Temp.	Feature	Voltage
LLVT	4FT	150W		D	480V

40K = 4000K  
50K = 5000K

**Accessories:**

Blank = No Option For Accessories  
LLVT-4FT-RL2T= OPTIONAL REPLACEMENT FROSTED LENS FOR LLVT

**Factory-Installed Options:**

Blank = No Option For Accessories  
OPT-EM-CM2INT= INTERNAL EMERGENCY BACKUP BATTERY  
OPT-SEN-2MDR-36=PROGRAMMABLE MICROWAVE BI-LEVEL SENSOR  
WEC-3RC=OPTIONAL REMOTE CONTROL

**SENSOR AND EMERGENCY BATTERY BACK UP OPTIONS:**



OPT-EM-CM2INT



OPT-SEN-2MDR-36



WEC-3RC

**Example:**

1. LLVT-4FT-150W-40K-D-480V (FOR LLVT 4FT 150W 40K FIXTURE 480V)
2. LLVT-4FT-150W-40K-D-480V (FOR LLVT 4FT 150W 40K FIXTURE 480V)  
OPT-EM-CM2INT (INTERNAL EMERGENCY BACKUP BATTERY)

