

LLHB SERIES Industrial Lighting

LLHB-60-120W-MP-40K-D-SR-480V

LLHB-60-120W-MP-50K-D-SR-480V

LED LINEAR HIGH BAY, FIXTURE HANGERS INCL, SUSPENSION CABLE NOT INCL.

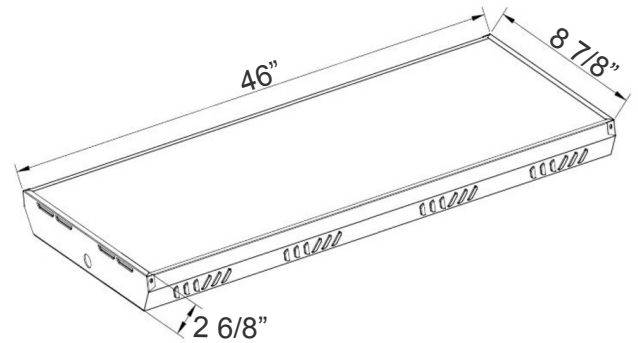
MCTP Multi Color Temperature & Multi Power/Wattage (Selectable)

Customer Name: _____

Project Name: _____

Note: _____

Type: _____



Ideal for replacement of conventional lighting systems such as HID and fluorescent. Applications include manufacturing warehousing and other large indoor spaces with mounting heights from 10ft. to 40ft. the fixture can be surface mounted also.

46"(L) x 8-7/8"(W) x 2-6/8"(H)

Features

- High Quality LED Chips to Provide High Efficiency, Heat Dissipation
- Stability, and Lumen Maintenance
- Polycarbonate Lens, High Flame Retardant Point.
- Frosted Lens
- 50,000 Hours Rated Life
- 5-Year Warranty

Technical Specifications

Electrical:

- Voltage: 480VAC/50~60 Hz
- Wattage: 60W/90W/120W
- Power Factor: >0.95
- Efficacy: 135LM/W

Mechanical:

- Sensor-Ready: Single Audio-Jack Socket
- Pre-installed single-pin Audio Jack Socket for Motion Sensors; See Accessories
- Surge Protector
- Steel Housing
- Steel Thickness: 24 Gauge
- V-Hooks
- Unprecedented Quality.
- Aluminum LED Board
- Operating Temperature: -4°F ~ 131°F
- Suitable For Damp Locations

Lighting:

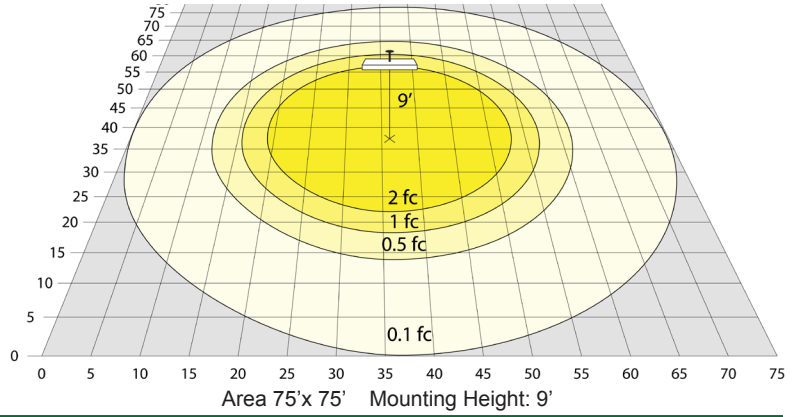
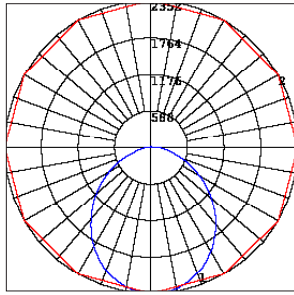
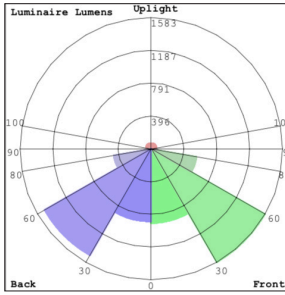
- Dimming: 0~10V Dimmable
- Lens: Polycarbonate Lens
- Total lumens: 16200LM
- Color Temperatures: 4000K/5000K
- Color Rendering Index: >80
- Wide Beam Angle

Applications:

- Warehouse
- Manufacturing Plants Distribution Centers
- Industrial Commercial
- Grocery Stores Gymnasiums



Photometrics: LLHB-60-120W-MP-D-SR-480V



BUG Rating: B3-U3-G2

Other Views:



Side View



Back View

Performance Table: LLHB-60-120W-MP-D-SR-480V

MODEL NO.	Wattage	Voltage	Lumens	Color Temp.	BUG Rating	LPW
LLHB-60-120W-MP-40K-D-SR-480V	60W	480V	8100LM	4000K 5000K	B3-U3-G2	135
LLHB-60-120W-MP-90W-D-SR-480V	90W		12150LM			
LLHB-60-120W-MP-120W-D-SR-480V	120W		16200LM			

Sample Ordering

Model Wattage Wattage Multi Power Color Temp. Dimming Sensor Voltage

LLHB - 60 - 120W - MP - - D - SR -

40K = 4000K
50K = 5000K

Accessory Options

- SCL-GSY10 = Heavy-duty adjustable 10ft. 1/16" suspension kit with Y-connector & loop Gripper & Hooks
- SCL-GSY20 = Heavy-duty adjustable 20ft. 1/16" suspension kit with Y-connector & loop Gripper & Hooks
- WEC-AJ-SA = Swivel Arm For 3.5Mm Plug-In 1-Pin Audio-Jack Sensors
- WEC-3PR-78-AJ-WH = PIR Sensor 1-Pin Audio Jack Contact 600W 40Ft 120-277V 0-10V Bi-Level & RC (Optional RC WEC-3RC)

Factory-Installed Options

- Blank = No Option
- OPT-EM-LLHB = EMERGENCY BACK BATTERY MOUNTED ON TOP
- OPT-LLHB-SMK = SURFACE MOUNTING OPTION
- OPT-FWH-63 = 6FT 3-WIRE WHIP
- OPT-FWH-65 = 6FT 5-WIRE WHIP
- OPT-FWH-66 = 6FT 6-WIRE WHIP
- OPT-SP-10KV = 10KV SURGE PROTECTOR
- OPT-CLR-95(BK/GR/SR/WH) = PAINT
- OPT-2P-58 = PIR SENSOR (Not remote capable)
- OPT-HBC-125TL-WH = 8FT, 15A, 125V, WHITE
- OPT-HBC-277TL-WH = 8FT, 15A, 277V, WHITE
- OPT-HBC-125SB-WH = 10FT, 15A, 125V, 18/3STR, WHT
- OPT-LLHB-ULM-4FT-40W = 4FT UPLIGHT MODULE, 40W ALL SIZES
- OPT-LLHB-ULM-4FT-60W = 4FT UPLIGHT MODULE, 60W ALL SIZES

OPTIONAL ACCESSORIES



SCL-GSY10
SCL-GSY20



WEC-3PR-78-AJ-WH
shown with the
WEC-AJ-SA Arm

FACTORY-INSTALLED OPTIONS



OPT-EM-LLHB

