

JOB NAME: _____

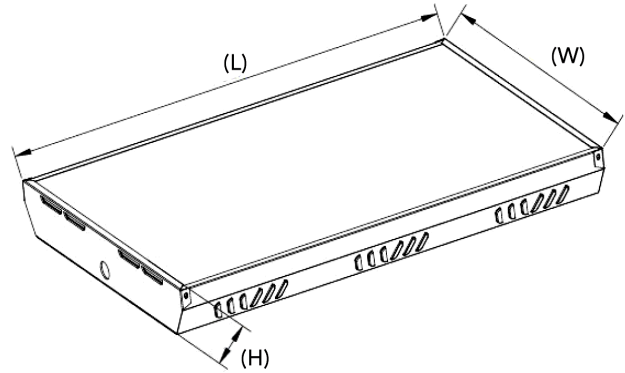
DATE: _____

TYPE: _____



DIMENSIONS:

46"(L) x 18-7/8"(W) x 2-6/8"(H)



LLHB-240W-40K-D
LLHB-240W-50K-D

LED LINEAR HIGH BAYS

Ideal for one-for-one replacement of conventional lighting systems such as HID and fluorescent. Applications include manufacturing, warehousing and other large indoor spaces

ELECTRICAL SPECIFICATIONS:

- Voltage: 120~277 VAC/50~60 Hz
- Wattage: 220W
- Power factor: >0.9
- Efficacy: 155LM/W

HOUSING SPECIFICATIONS:

- Housing: Steel
- Steel Thickness: 24 Gauge
- With V-hooks
- Operating temperature: -40°F ~ 122°F

CERTIFICATIONS: UL, DLC



MODEL	WATTS	VOLTAGE	LUMENS	COLOR TEMP
LLHB-240W-40K-D	220W	100~277V AC	33000LM	4000K
LLHB-240W-50K-D	220W	100~277V AC	33000LM	5000K

LIGHTING SPECIFICATIONS:

- Dimming: 0~10V dimmable
- LED SMD type: Edison 2835
- Lens: Frosted PMMA (Plastic)
- Driver: Towin Driver
- Total lumens: 33000LM
- Updated higher lumens at lower wattages. Per industry standards, Lumens are reported without frosted lens (Removable)
- Color temperature: 4000K/5000K

WARRANTY: 5 years

