

LLHB SERIES Industrial Lighting

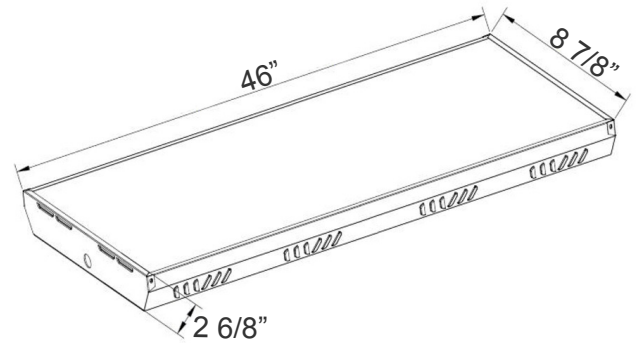
LLHB-120-240W-MP-40K-D-SR
LLHB-120-240W-MP-50K-D-SR
LED LINEAR HIGH BAY, FIXTURE HANGERS INCL, SUSPENSION CABLE NOT INCL.

MCTP Multi Color Temperature & Multi Power/Wattage (Selectable)

Customer Name: _____

Project Name: _____

Note: _____ | Type: _____



Ideal for replacement of conventional lighting systems such as HID and fluorescent. Applications include manufacturing warehousing and other large indoor spaces with mounting heights from 10ft. to 40ft. the fixture can be surface mounted also.

46"(L) x 8-7/8"(W) x 2-6/8"(H)

Features

- High Quality LED Chips to Provide High Efficiency, Heat Dissipation
- Stability, and Lumen Maintenance
- Polycarbonate Lens, High Flame Retardant Point.
- Frosted Lens
- 50,000 Hours Rated Life
- 5-Year Warranty

Technical Specifications

Electrical:

- Voltage: 120~277VAC/50~60 Hz
- Wattage: 120W/180W/240W
- Power Factor: >0.95
- Efficacy: 135LM/W

Mechanical:

- Sensor-Ready: Single Audio-Jack Socket
- Pre-installed single-pin Audio Jack Socket for Motion Sensors; See Accessories
- Surge Protector
- Steel Housing
- Steel Thickness: 24 Gauge
- V-Hooks
- Unprecedented Quality.
- Aluminum LED Board
- Operating Temperature: -4°F ~ 131°F
- Suitable For Damp Locations

Lighting:

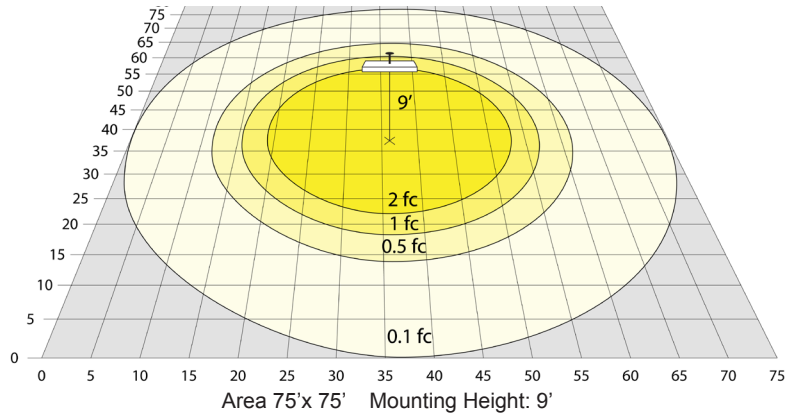
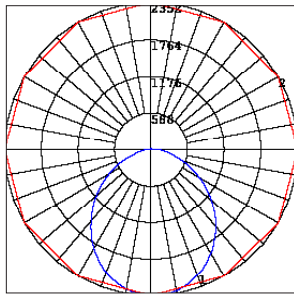
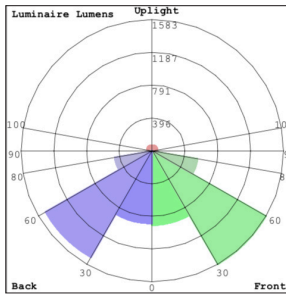
- Dimming: 0~10V Dimmable
- Lens: Polycarbonate Lens
- Total lumens: 32400LM
- Color Temperatures: 4000K/5000K
- Color Rendering Index: >80
- Wide Beam Angle

Applications:

- Warehouse
- Manufacturing Plants Distribution Centers
- Industrial Commercial
- Grocery Stores Gymnasiums



Photometrics: LLHB-120-240W-MP-D-SR



BUG Rating: B3-U3-G2

Other Views:



Side View



Back View

Performance Table: LLHB-120-240W-MP-D-SR

MODEL NO.	Wattage	Voltage	Lumens	Color Temp.	BUG Rating	LPW
LLHB-120-240W-MP-40K-D-SR	120W	120~277V	16200LM	4000K 5000K	B3-U3-G2	135
LLHB-120-240W-MP-180W	180W		24300LM			
LLHB-120-240W-MP-240W	240W		32400LM			

Sample Ordering

Model Wattage Wattage Multi Power Color Temp. Dimming Sensor

LLHB - 120 - 240W - MP - - D - SR

40K = 4000K
50K = 5000K

Accessory Options

SCL-GSY10 = Heavy-duty adjustable 10ft. 1/16" suspension kit with Y-connector & loop Gripper & Hooks

SCL-GSY20 = Heavy-duty adjustable 20ft. 1/16" suspension kit with Y-connector & loop Gripper & Hooks

WEC-AJ-SA = Swivel Arm For 3.5Mm Plug-In 1-Pin Audio-Jack Sensors

WEC-3PR-78-AJ-WH = PIR Sensor 1-Pin Audio Jack Contact 600W 40Ft 120-277V 0-10V Bi-Level & RC (Optional RC WEC-3RC)

Factory-Installed Options

Blank = No Option

OPT-EM-LLHB = EMERGENCY BACK BATTERY MOUNTED ON TOP

OPT-LLHB-SMK = SURFACE MOUNTING OPTION

OPT-FWH-63 = 6FT 3-WIRE WHIP

OPT-FWH-65 = 6FT 5-WIRE WHIP

OPT-FWH-66 = 6FT 6-WIRE WHIP

OPT-SP-10KV = 10KV SURGE PROTECTOR

OPT-CLR-95(BK/GR/SR/WH) = PAINT

OPT-2P-58 = PIR SENSOR (Not remote capable)

OPT-HBC-125TL-WH = 8FT, 15A, 125V, WHITE

OPT-HBC-277TL-WH = 8FT, 15A, 277V, WHITE

OPT-HBC-125SB-WH = 10FT, 15A, 125V, 18/3STR, WHT

OPT-LLHB-ULM-4FT-40W = 4FT UPLIGHT MODULE, 40W ALL SIZES

OPT-LLHB-ULM-4FT-60W = 4FT UPLIGHT MODULE, 60W ALL SIZES

OPTIONAL ACCESSORIES



SCL-GSY10
SCL-GSY20



WEC-3PR-78-AJ-WH
shown with the
WEC-AJ-SA Arm

FACTORY-INSTALLED OPTIONS



OPT-EM-LLHB

