

LLHB SERIES Industrial Lighting

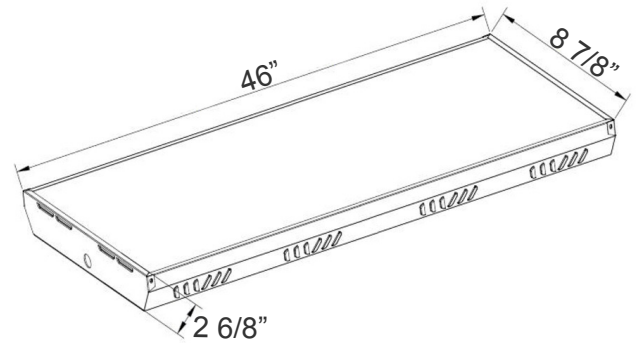
LLHB-120-240W-MP-40K-D-SR-480V
LLHB-120-240W-MP-50K-D-SR-480V
LED LINEAR HIGH BAY, FIXTURE HANGERS INCL, SUSPENSION CABLE NOT INCL.

MCTP Multi Color Temperature & Multi Power/Wattage (Selectable)

Customer Name: _____

Project Name: _____

Note: _____ | Type: _____



Ideal for replacement of conventional lighting systems such as HID and fluorescent. Applications include manufacturing warehousing and other large indoor spaces with mounting heights from 10ft. to 40ft. the fixture can be surface mounted also.

46"(L) x 8-7/8"(W) x 2-6/8"(H)

Features

- High Quality LED Chips to Provide High Efficiency, Heat Dissipation
- Stability, and Lumen Maintenance
- Polycarbonate Lens, High Flame Retardant Point.
- Frosted Lens
- 50,000 Hours Rated Life
- 5-Year Warranty

Technical Specifications

Electrical:

- Voltage: 1480V AC/50~60 Hz
- Wattage: 120W/180W/240W
- Power Factor: >0.95
- Efficacy: 135LM/W

Mechanical:

- Sensor-Ready: Single Audio-Jack Socket
- Pre-installed single-pin Audio Jack Socket for Motion Sensors; See Accessories
- Surge Protector
- Steel Housing
- Steel Thickness: 24 Gauge
- V-Hooks
- Unprecedented Quality.
- Aluminum LED Board
- Operating Temperature: -4°F ~ 131°F
- Suitable For Damp Locations

Lighting:

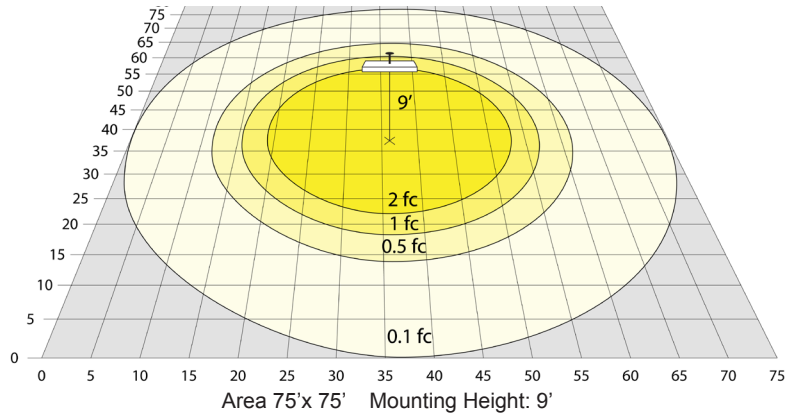
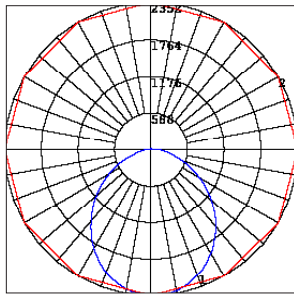
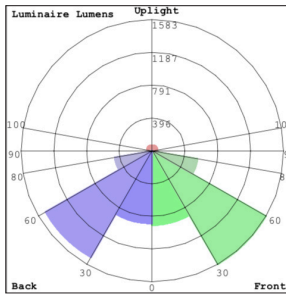
- Dimming: 0~10V Dimmable
- Lens: Polycarbonate Lens
- Total lumens: 32400LM
- Color Temperatures: 4000K/5000K
- Color Rendering Index: >80
- Wide Beam Angle

Applications:

- Warehouse
- Manufacturing Plants Distribution Centers
- Industrial Commercial
- Grocery Stores Gymnasiums



Photometrics: LLHB-120-240W-MP-D-SR-480V



BUG Rating: B3-U3-G2

Other Views:



Side View



Back View

Performance Table: LLHB-120-240W-MP-D-SR-480V

MODEL NO.	Wattage	Voltage	Lumens	Color Temp.	BUG Rating	LPW
LLHB-120-240W-MP-40K-D-SR-480V	120W	120~277V	16200LM	4000K	B3-U3-G2	135
LLHB-120-240W-MP-50K-D-SR-480V	180W		24300LM	5000K		
	240W		32400LM			

Sample Ordering

Model	Wattage	Wattage	Multi	Power	Color Temp.	Dimming	Sensor	Voltage
LLHB	120	240W	MP		D	SR		480V

40K = 4000K
50K = 5000K

Accessory Options

- SCL-GSY10 = Heavy-duty adjustable 10ft. 1/16" suspension kit with Y-connector & loop Gripper & Hooks
- SCL-GSY20 = Heavy-duty adjustable 20ft. 1/16" suspension kit with Y-connector & loop Gripper & Hooks
- WEC-AJ-SA = Swivel Arm For 3.5Mm Plug-In 1-Pin Audio-Jack Sensors
- WEC-3PR-78-AJ-WH = PIR Sensor 1-Pin Audio Jack Contact 600W 40Ft 120-277V 0-10V Bi-Level & RC (Optional RC WEC-3RC)

Factory-Installed Options

- Blank = No Option
- OPT-EM-LLHB = EMERGENCY BACK BATTERY MOUNTED ON TOP
- OPT-LLHB-SMK = SURFACE MOUNTING OPTION
- OPT-FWH-63 = 6FT 3-WIRE WHIP
- OPT-FWH-65 = 6FT 5-WIRE WHIP
- OPT-FWH-66 = 6FT 6-WIRE WHIP
- OPT-SP-10KV = 10KV SURGE PROTECTOR
- OPT-CLR-95(BK/GR/SR/WH) = PAINT
- OPT-2P-58 = PIR SENSOR (Not remote capable)
- OPT-HBC-125TL-WH = 8FT, 15A, 125V, WHITE
- OPT-HBC-277TL-WH = 8FT, 15A, 277V, WHITE
- OPT-HBC-125SB-WH = 10FT, 15A, 125V, 18/3STR, WHT
- OPT-LLHB-ULM-4FT-40W = 4FT UPLIGHT MODULE, 40W ALL SIZES
- OPT-LLHB-ULM-4FT-60W = 4FT UPLIGHT MODULE, 60W ALL SIZES

OPTIONAL ACCESSORIES



SCL-GSY10
SCL-GSY20



WEC-3PR-78-AJ-WH
shown with the
WEC-AJ-SA Arm

FACTORY-INSTALLED OPTIONS



OPT-EM-LLHB

