

LFXMAX SERIES Outdoor Lighting

LFXMAX-XL-200-300W-MCTP-PSR

LFXMAX SPEC SERIES MAXIMUM-FEATURE AREA/FLOOD LIGHT, SENSOR & PHOTOCCELL READY

MCTP Multi Color Temperature & Multi Power/Wattage (Selectable)

WESTGATE

THE FUTURE IS HERE...AND IT'S QUITE BRIGHT!

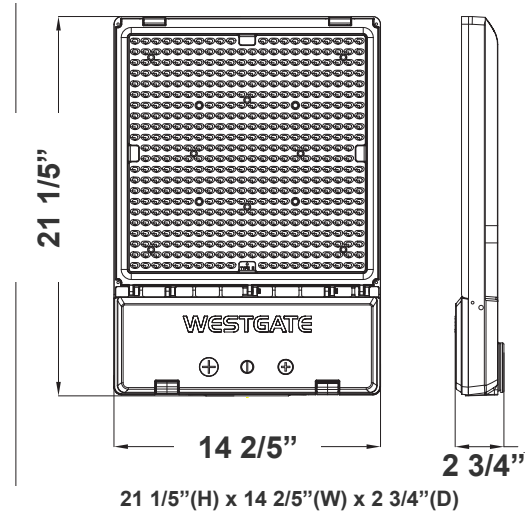


Customer Name: _____

Project Name: _____

Note: _____

Type: _____



the LFXMAX Flood Light by Westgate: compatible with all LFX mounts, featuring a rotatable lens for precise lighting, a selection of lens types, and adjustable wattage and CCT. Perfect for versatile, efficient lighting solutions.

Features

- DLC Premium & LED High-Lumen Flood lights
- Solid State Lighting Technology for Long Life
- No Maintenance Needed and High-Efficiency
- 7-Year Warranty
- Optic Lens Type: III
- Multi-Power - The Switch is On the Bottom of the Fixture

Technical Specifications

Electrical:

- Voltage: 120~277V AC/50~60 Hz
- Wattage: 200W/250W/300W
- Power Factor: >0.9
- Efficacy: 145 LPW

Mechanical:

- With Snap-on & Bolt Mounting Options for One- Person Installations. Select a Mounting Option (Sold Separately)
- LED: Lumileds Luxeon 2835 High Flux LED
- Die-cast Aluminum Housing with Powder Coat Finish (Dark Bronze)
- Cord Type: 6' SJTW 18/3 AWG cable
- 10KV Lightning Surge Protection
- Effective Projected Areas (EPA's) are: Front = 0.38 ft², Side = 0.30 ft², Face = 1.05 ft²
- Operating Temperature: -40°F to 104°F
- IP Rating: IP65, Suitable for Wet Locations
- 7-Year Warranty

Lighting:

- Dimming: 0~10V Dimmable
- Optic Lens Type: III
- Cord Type: 6' SJTW 18/3 AWG cable
- Total Lumens: 43500LM Max.
- Color Temperature: 3000K/ 4000K/ 5000K
- Color Rendering Index: ≥ 80
- Beam Angle: 155°x75° Type III
- 70,000 Hours Rated Life

Applications:

- Ideal for general site lighting, alleys, loading docks, doorway, pathway and parking areas.
- Replace existing HID flood lights/ wall packs

Other Models:

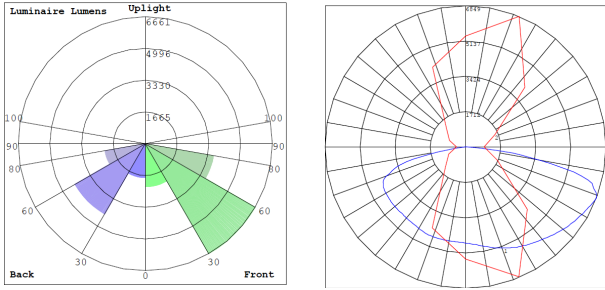
- 150W | 21400LM | LFXMAX-LG-70-150W-MCTP-PSR



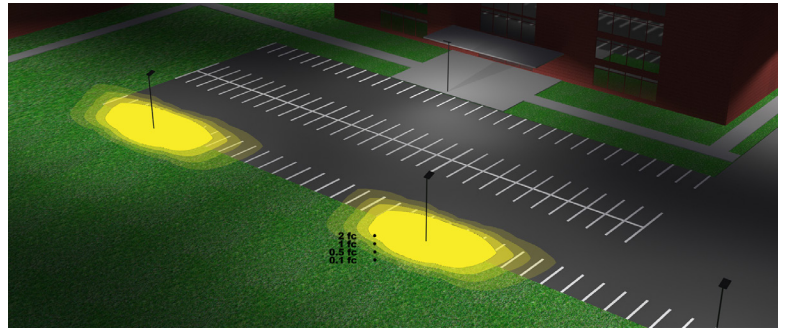
Phone: (877) 805-2252 | Fax: (877) 805-2252
www.westgatemfg.com |



Photometrics: LFXMAX-XL-200-300W-MCTP-PSR



BUG Rating: B3-U0-G3



Area 55'x 100' Mounting Height: 20'

Other Views:



Side View



Front View



Back View

Performance Table: LFXMAX-XL-200-300W-MCTP-PSR

MODEL NO.	Wattage	Voltage	Lumens	Color Temp.	BUG Rating	LPW
LFXMAX-XL-200-300W-MCTP-PSR	200W	120~277V	29000LM	3000K 4000K 5000K	B3-U0-G3	145
	250W		36250LM			
	300W		43500LM			

Sample Ordering

Model Size Min. Watt Max. Watt Color Temp. Feature

LFXMAX - XL - 200 - 300W - MCTP - PSR

Accessories Options

Blank = No Option for Accessories
WEC-3RC = Remote Control

Factory Installed Options

Blank = No Factory Installed Options
PC-TWIST = 120-227V Twist Lock Photocell
WEC-3PR-78-AJ-WH = PIR Bi-Level Motion Sensor
WEC-3PBT-78-AJ-WH = Smart Bluetooth PIR Bi-Level Motion Sensor, Req. Westgate Smart Phone APP

SENSOR AND REMOTE CONTROL OPTIONS



WEC-3PR-78-AJ-WH
WEC-3PBT-78-AJ-WH



PC-TWIST



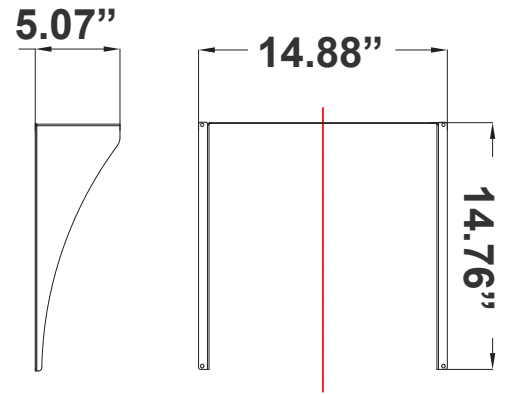
WEC-3RC
Remote control



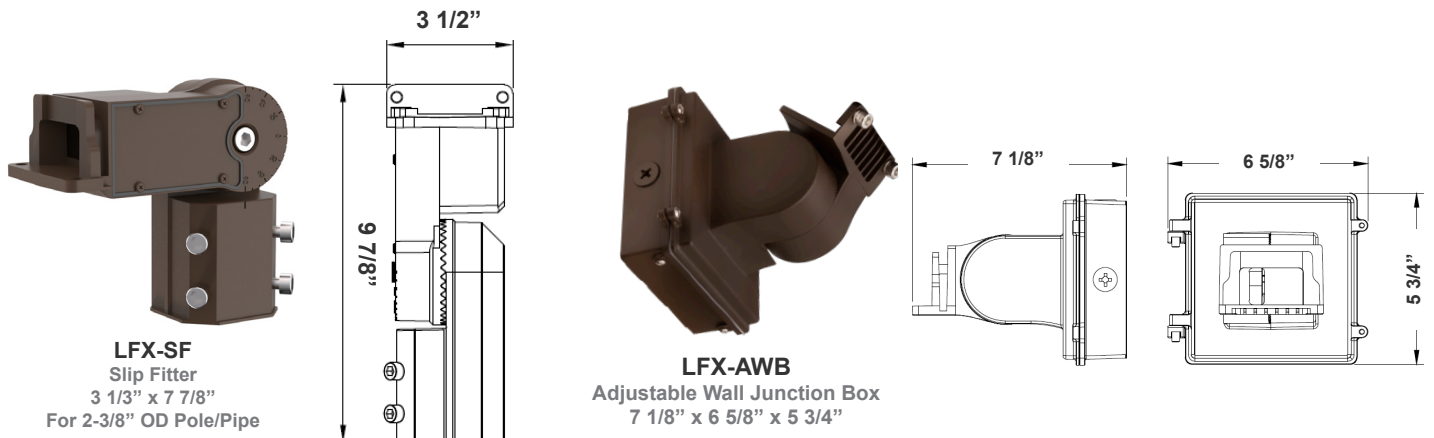
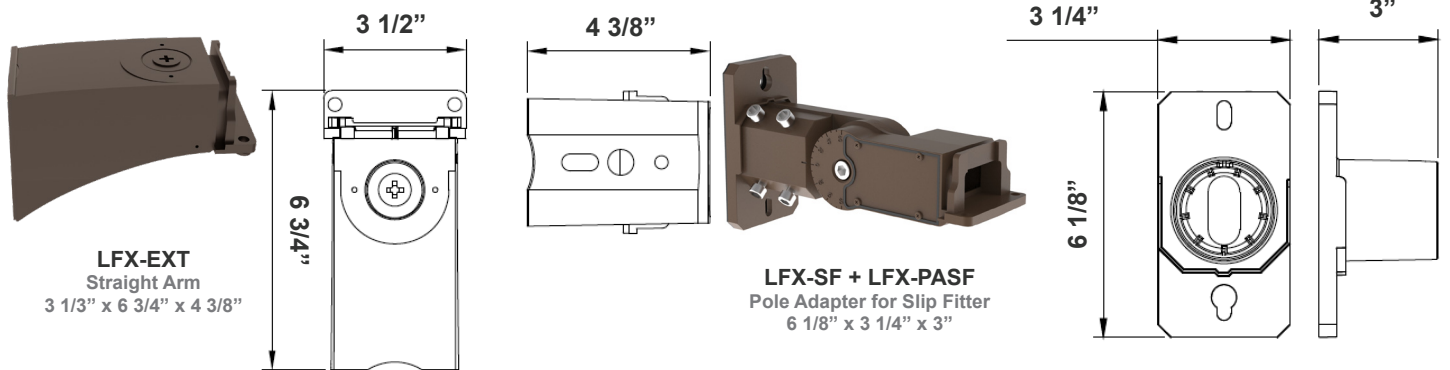
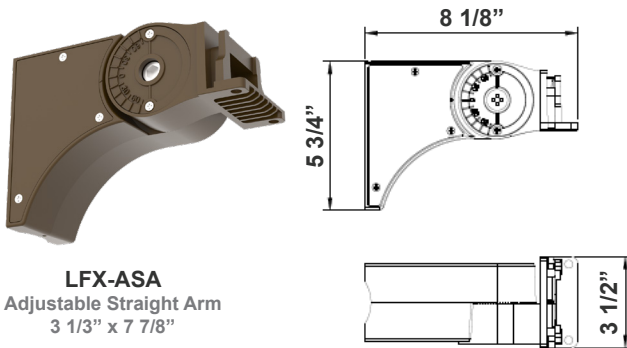
Shroud:



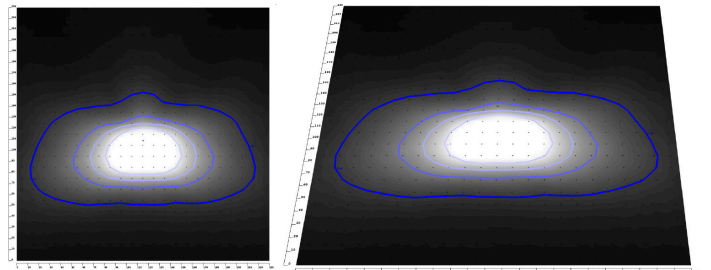
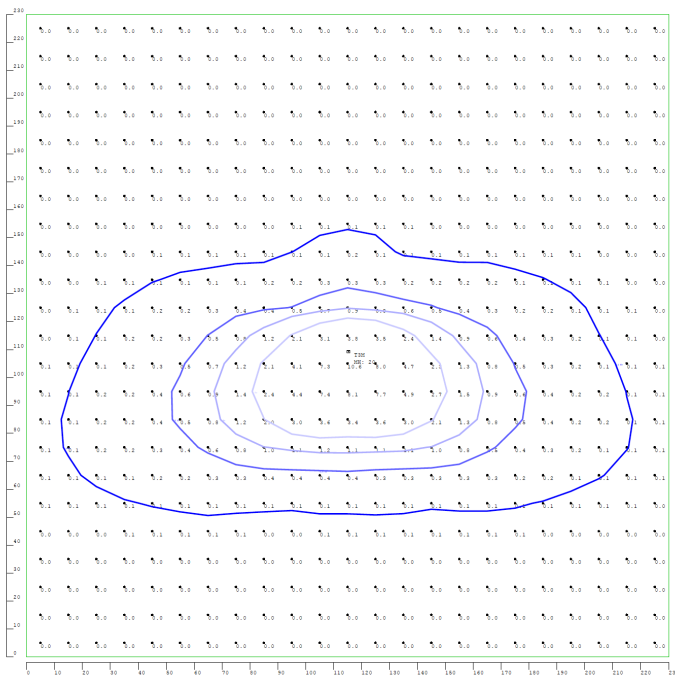
LFXMAX-XL-SHROUD-H
Reversible Shroud for 300W
14.88"(W) x 14.76"(H) x 5.07"(D)



Mounting Options:



Type Lenses:

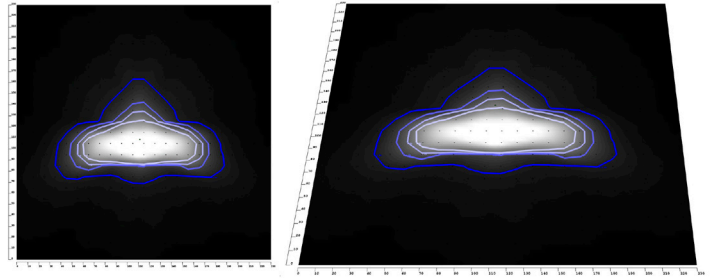
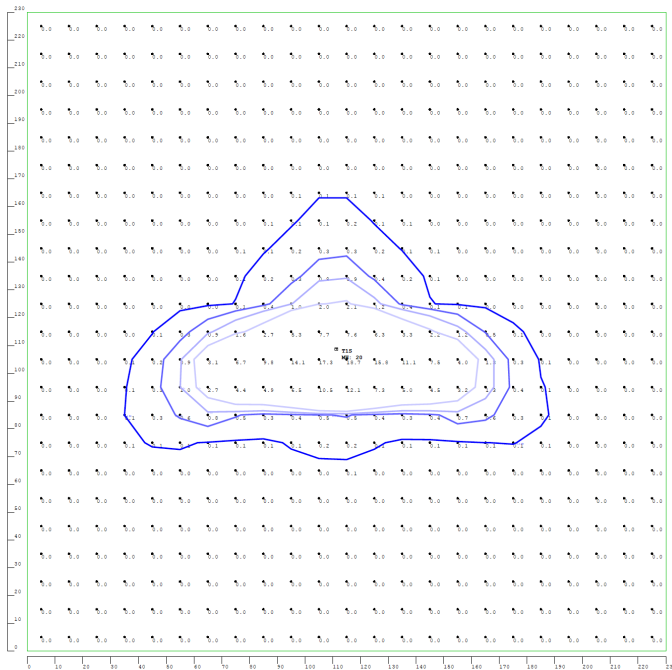


LFXMAX-XL-LENS-T3M
LFMAX-XL Type T3M Lens

- Offers Even Wider Light Distribution
- Ideal For Lighting Streets And Roadways
- Provides Uniform Illumination
- Pre-Installed

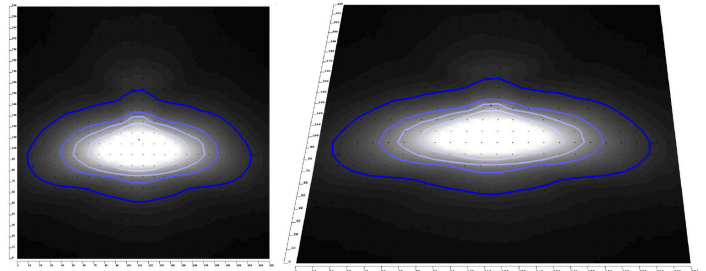
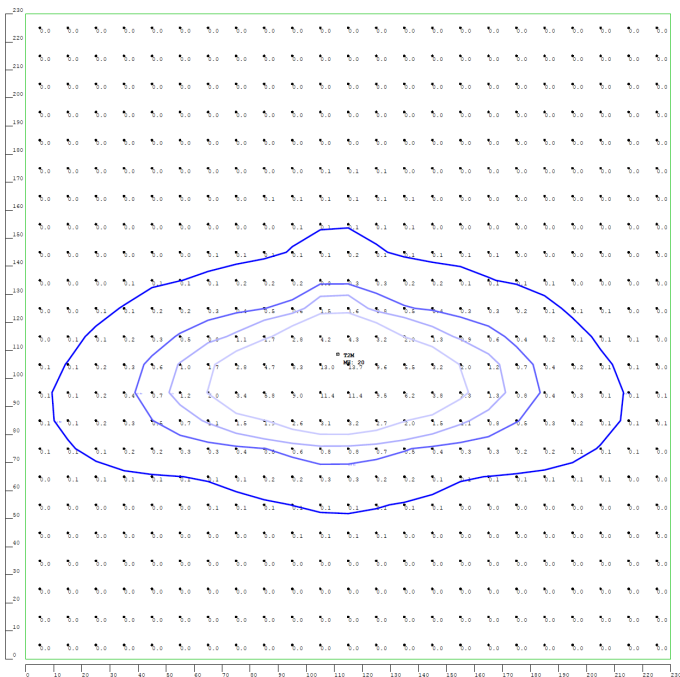


Type Lenses:



LFXMAX-XL-LENS-T1S LFMAX-XL Type T1S Lens

- Use It For Focused Lighting
- Great For Highlighting Specific Objects or Narrow Pathways

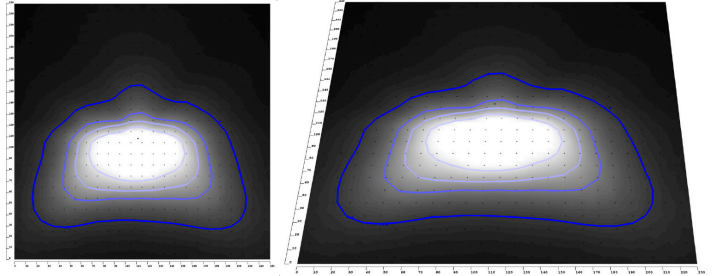
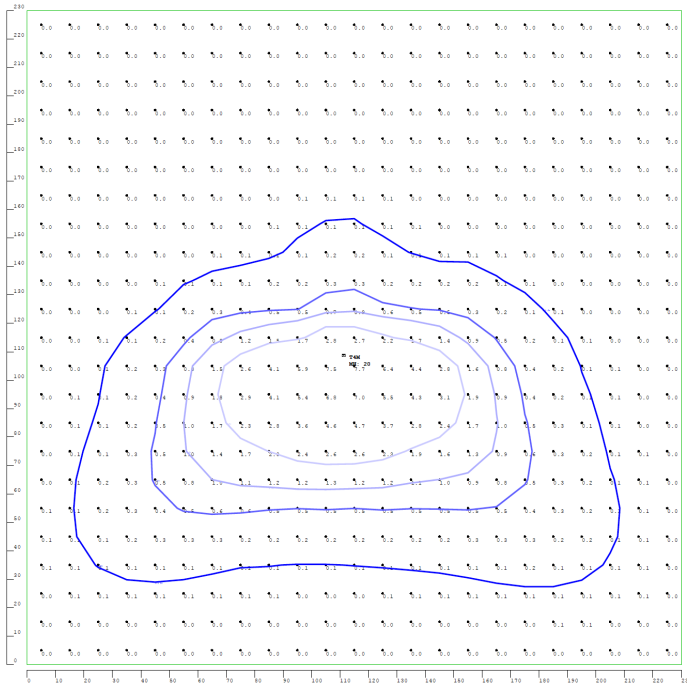


LFXMAX-XL-LENS-T2M LFMAX-XL Type T2M Lens

- Provides a broader beam of light.
- Suitable for general area lighting.
- Works well for walkways.

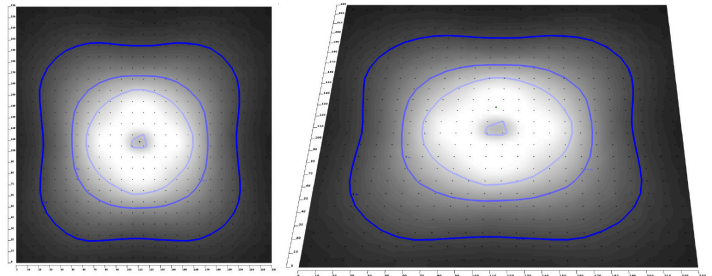
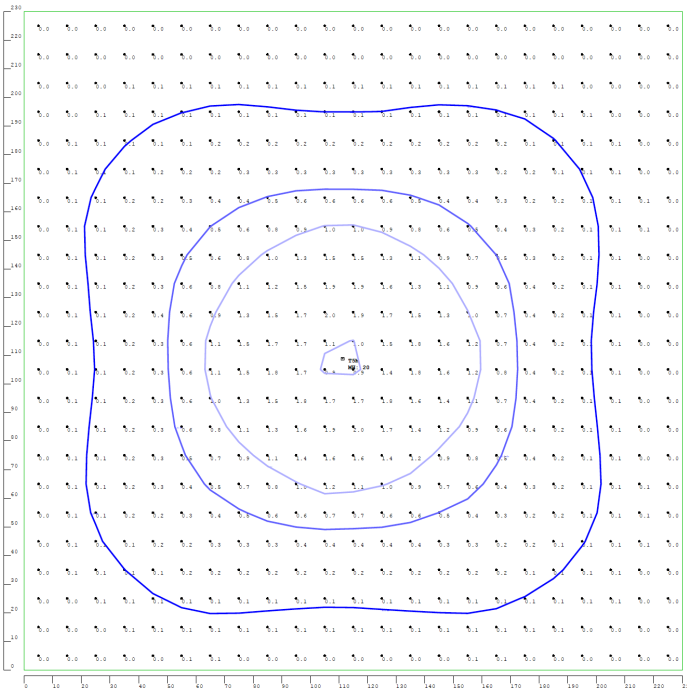


Type Lenses:



LFXMAX-XL-LENS-T4M LFMAX-XL Type T4M Lens

- Gives Asymmetrical Light Distribution
- Great For Pathways And Parking Lots
- Minimizes Light Spill Onto Nearby Areas

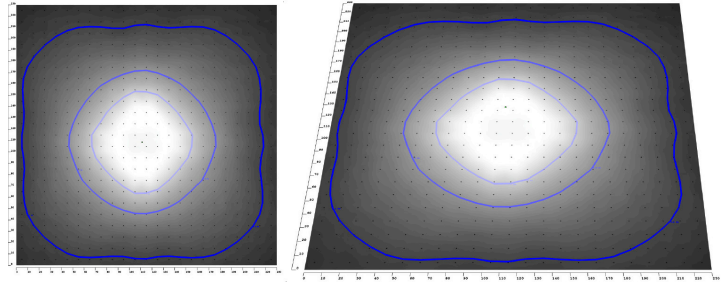
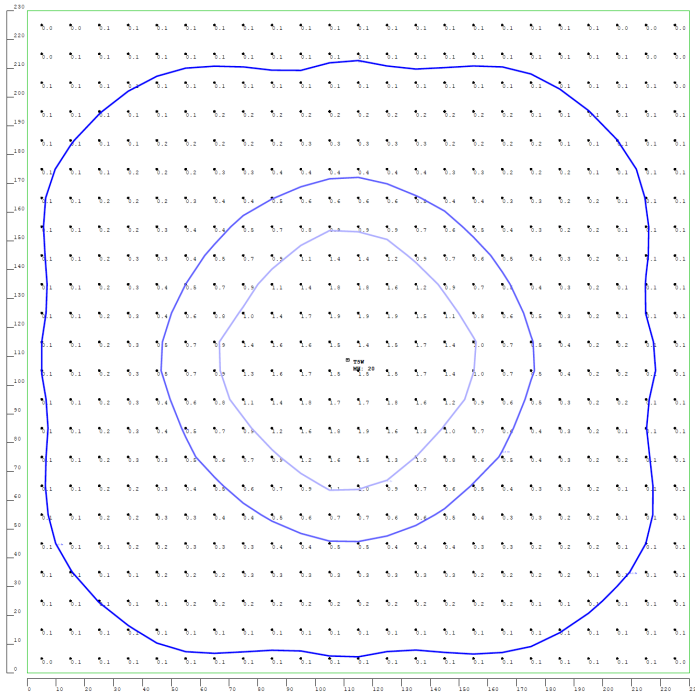


LFXMAX-XL-LENS-T5M LFMAX-XL Type T5M Lens

- Provides A Very Wide And Even Spread Of Light
- Perfect For Large Open Spaces Like Sports Fields
- Ensures Comprehensive Coverage

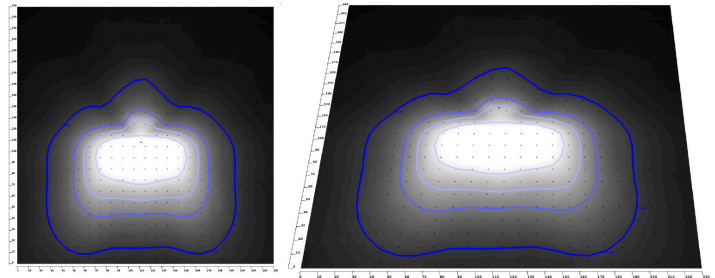
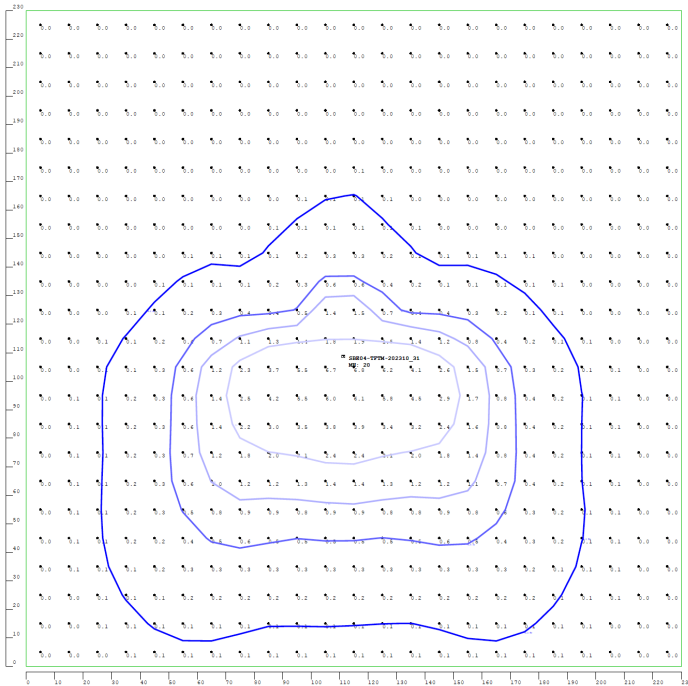


Type Lenses:



LFXMAX-XL-LENS-T5W LFMAX-XL Type T5W Lens

- Similar to T5M But Slightly Wider
- Use Where broader Coverage is Needed
- Suitable For Open Areas And Plazas



LFXMAX-XL-LENS-TFTM LFMAX-XL Type TFTM Lens

- Directs Light Forward For Specific Illumination
- Excellent For Architectural And Landscape Lighting
- Highlights Objects Or Features Effectively

