

LFXMAX SERIES Outdoor Lighting

LFXMAX-LG-70-150W-MCTP-PSR

LFXMAX SPEC SERIES MAXIMUM-FEATURE AREA/FLOOD LIGHT, SENSOR & PHOTOCCELL READY

MCTP Multi Color Temperature & Multi Power/Wattage (Selectable)

WESTGATE

THE FUTURE IS HERE...AND IT'S QUITE BRIGHT!

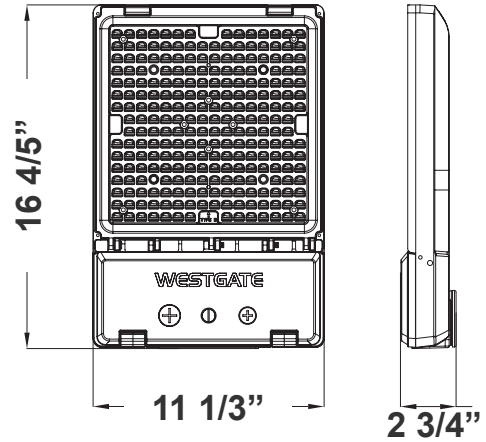


Customer Name: _____

Project Name: _____

Note: _____

Type: _____



16 4/5"(H) x 11 1/3"(W) x 2 3/4"(D)

the LFXMAX Flood Light by Westgate: compatible with all LFX mounts, featuring a rotatable lens for precise lighting, a selection of lens types, and adjustable wattage and CCT. Perfect for versatile, efficient lighting solutions.

Features

- DLC Premium & LED High-Lumen Flood lights
- Solid State Lighting Technology for Long Life
- No Maintenance Needed and High-Efficiency
- 7-Year Warranty
- Optic Lens Type: III
- Multi-Power - The Switch is On the Bottom of the Fixture

Technical Specifications

Electrical:

- Voltage: 120~277V AC/50~60 Hz
- Wattage: 70W/100W/150W
- Power Factor: >0.9
- Efficacy: 145 LPW

Mechanical:

- With Snap-on & Bolt Mounting Options for One- Person Installations. Select a Mounting Option (Sold Separately)
- LED: Lumileds Luxeon 2835 High Flux LED
- Cord Type: 6' SJTW 18/3 AWG cable
- Die-cast Aluminum Housing with Powder Coat Finish (Dark Bronze)
- 10KV Lightning Surge Protection
- Effective Projected Areas (EPA's) are: Front = 0.38 ft², Side = 0.30 ft², Face = 1.05 ft²
- Operating Temperature: -40°F to 104°F
- IP Rating: IP65, Suitable for Wet Locations
- 7-Year Warranty

Lighting:

- Dimming: 0~10V Dimmable
- Optic Lens Type: III
- Total Lumens: 21400LM Max.
- Color Temperature: 3000K/ 4000K/ 5000K
- Color Rendering Index: ≥ 80
- Beam Angle: 155°x75° Type III
- 70,000 Hours Rated Life

Applications:

- Ideal for general site lighting, alleys, loading docks, doorway, pathway and parking areas.
- Replace existing HID flood lights/ wall packs

Other Models:

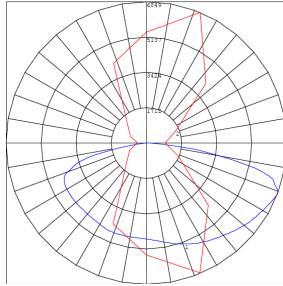
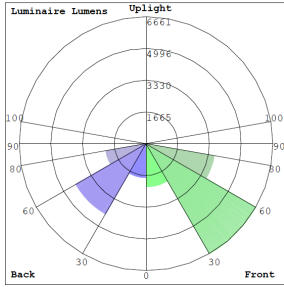
- 145W | 43500LM | LFXMAX-XL-200-300W-MCTP-PSR



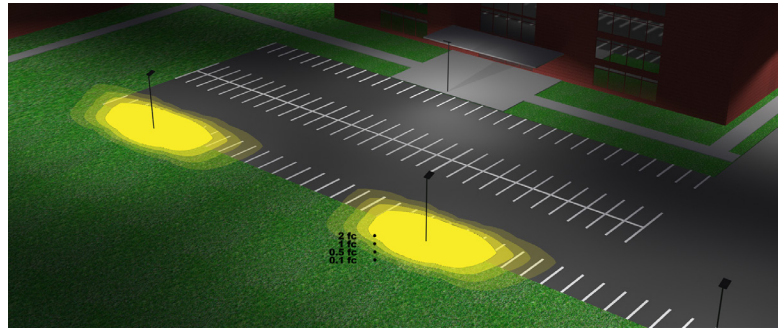
Phone: (877) 805-2252 | Fax: (877) 805-2252
www.westgatemfg.com |



Photometrics: LFXMAX-LG-70-150W-MCTP-PSR



BUG Rating: B3-U0-G3



Area 55'x 100' Mounting Height: 20'

Other Views:



Side View



Front View



Back View

Performance Table: LFXMAX-LG-70-150W-MCTP-PSR

MODEL NO.	Wattage	Voltage	Lumens	Color Temp.	BUG Rating	LPW
LFXMAX-LG-70-150W-MCTP-PSR	70W	120~277V	10150LM	3000K 4000K 5000K	B3-U0-G3	145
	100W		14500LM			
	150W		21750LM			

Sample Ordering

Model Size Min.Watt Max.Watt Color Temp. Feature
LFXMAX - **LG** - **70** - **150W** - **MCTP** - **PSR**

Accessories Options

Blank = No Option for Accessories
 WEC-3RC = Remote Control

Factory Installed Options

Blank = No Factory Installed Options
 PC-TWIST = 120-227V Twist Lock Photocell
 WEC-3PR-78-AJ-WH = PIR Bi-Level Motion Sensor
 WEC-3PBT-78-AJ-WH = Smart Bluetooth PIR Bi-Level Motion Sensor, Req. Westgate Smart Phone APP

SENSOR AND REMOTE CONTROL OPTIONS



WEC-3PR-78-AJ-WH
 WEC-3PBT-78-AJ-WH



PC-TWIST



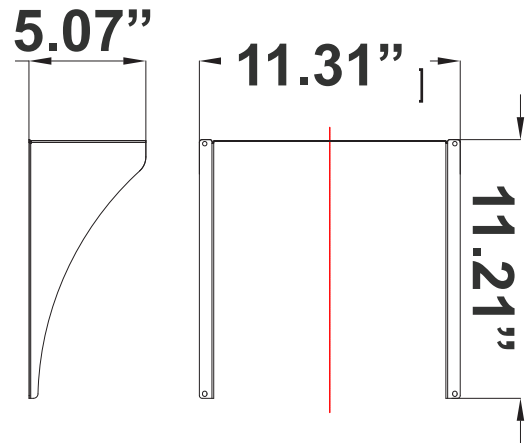
WEC-3RC
 Remote control



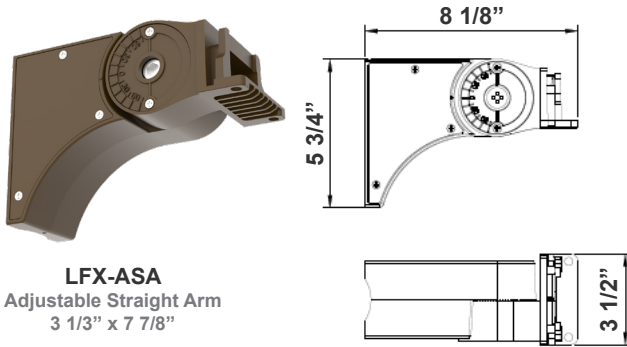
Shroud:



LFXMAX-LG-SHROUD-H
Reversible Shroud for 150W
11.31"(W) x 11.21"(H) x 5.07"(D)



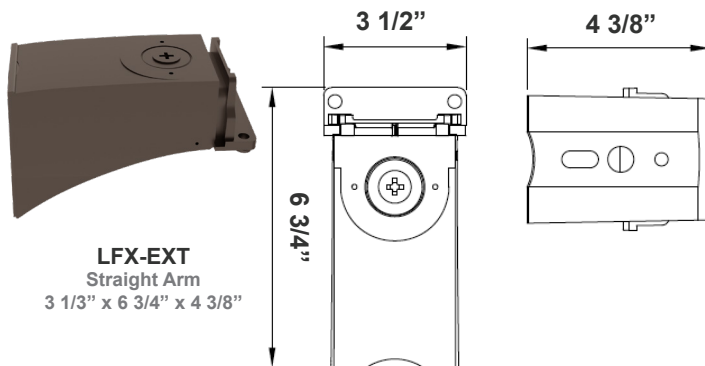
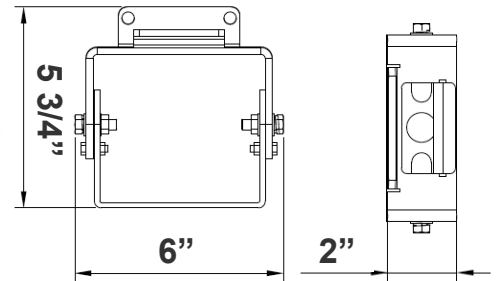
Mounting Options:



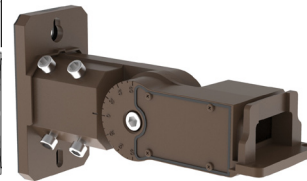
LFX-ASA
Adjustable Straight Arm
3 1/3" x 7 7/8"



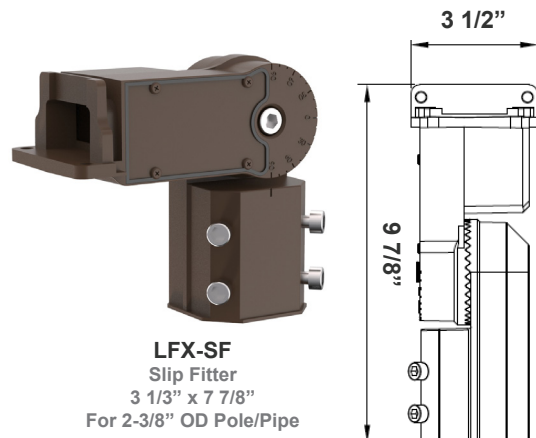
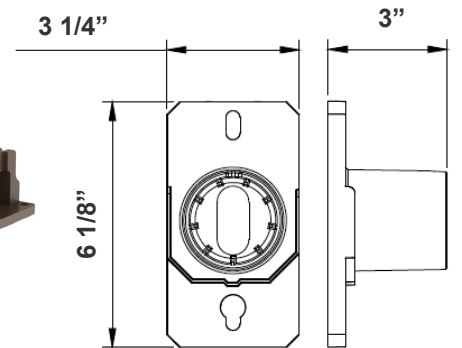
LFX-YK
Yoke
5 3/4" x 6" x 2"



LFX-EXT
Straight Arm
3 1/3" x 6 3/4" x 4 3/8"



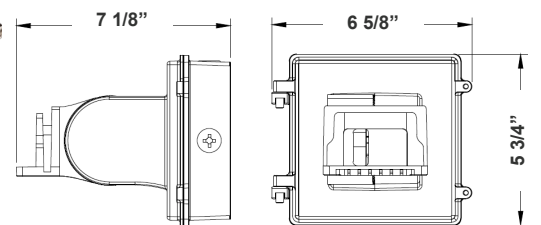
LFX-SF + LFX-PASF
Pole Adapter for Slip Fitter
6 1/8" x 3 1/4" x 3"



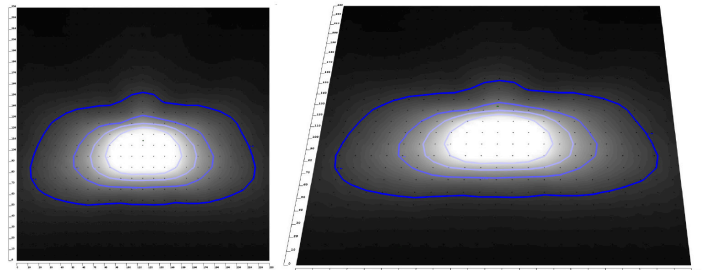
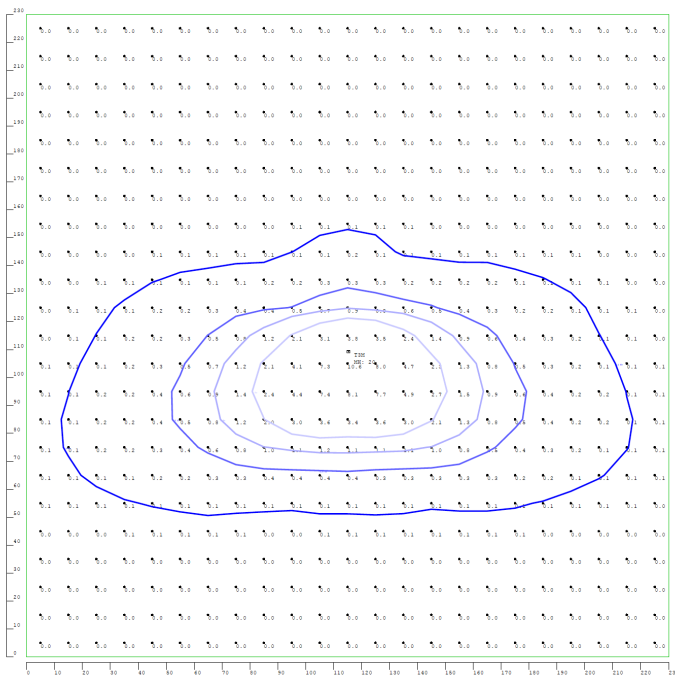
LFX-SF
Slip Fitter
3 1/3" x 7 7/8"
For 2-3/8" OD Pole/Pipe



LFX-AWB
Adjustable Wall Junction Box
7 1/8" x 6 5/8" x 5 3/4"



Type Lenses:

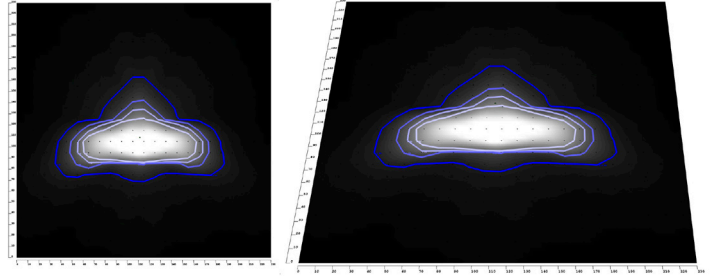
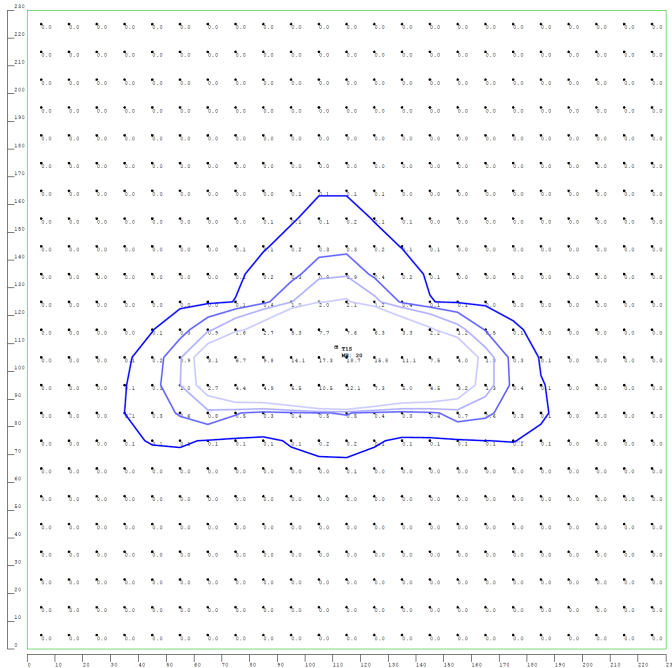


LFXMAX-LG-LENS-T3M LFMAX-LG Type T3M Lens

- Offers Even Wider Light Distribution
- Ideal For Lighting Streets And Roadways
- Provides Uniform Illumination
- Pre-Installed

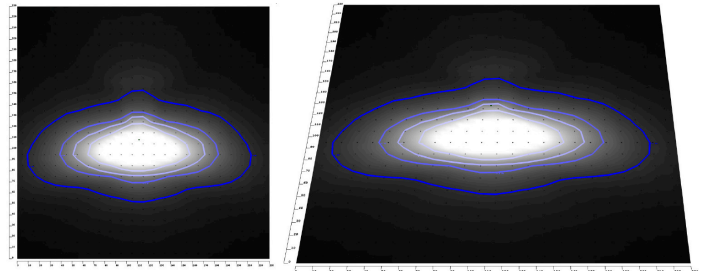
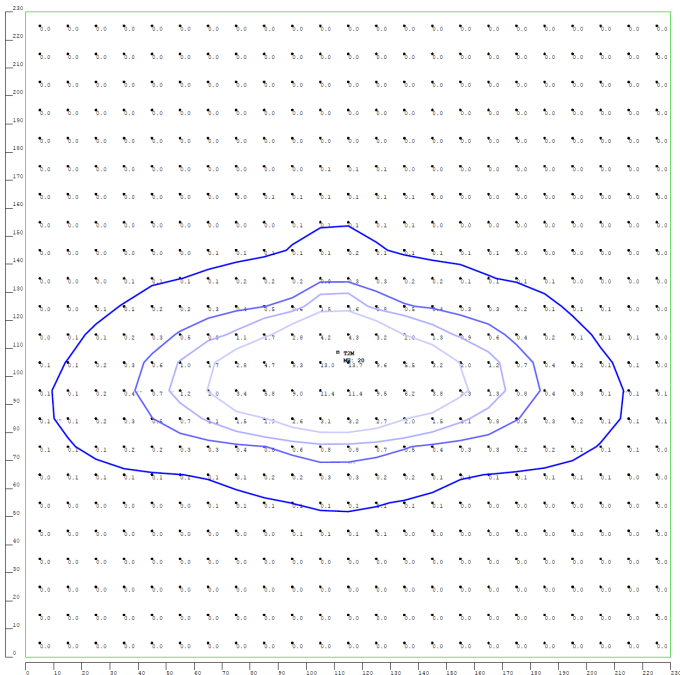


Type Lenses:



LFXMAX-LG-LENS-T1S LFMAX-LG Type T1S Lens

- Use It For Focused Lighting
- Great For Highlighting Specific Objects or Narrow Pathways

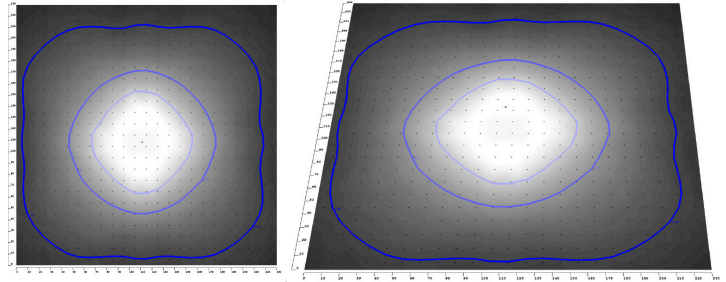
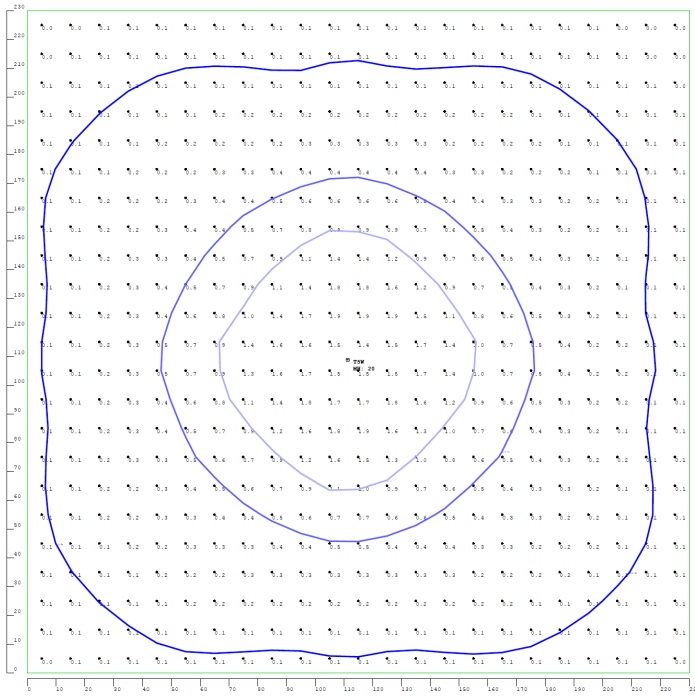


LFXMAX-LG-LENS-T2M LFMAX-LG Type T2M Lens

- Provides a broader beam of light.
- Suitable for general area lighting.
- Works well for walkways.

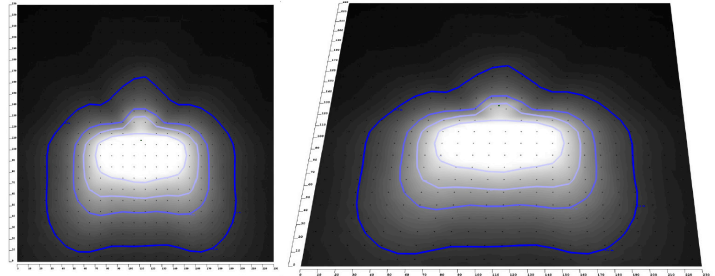
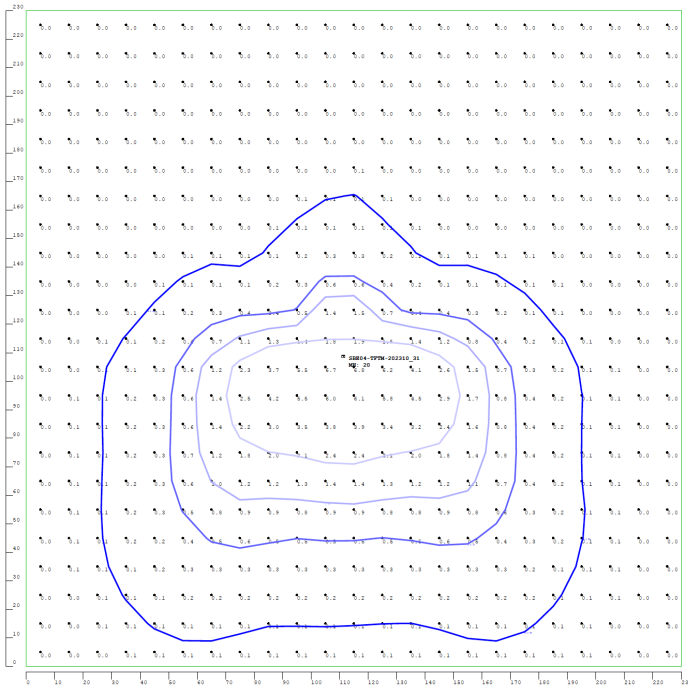


Type Lenses:



LFXMAX-LG-LENS-T5W LFMAX-LG Type T5W Lens

- Similar to T5M But Slightly Wider
- Use Where broader Coverage is Needed
- Suitable For Open Areas And Plazas



LFXMAX-LG-LENS-TFTM LFMAX-LG Type TFTM Lens

- Directs Light Forward For Specific Illumination
- Excellent For Architectural And Landscape Lighting
- Highlights Objects Or Features Effectively

