

# LFXE SERIES Outdoor Lighting

LFXE-MD-50-100W-MCTP-TR-P  
BUILDER SERIES FLOOD/AREA LIGHTS WITH PHOTOCCELL  
**MCTP** Multi Color Temperature & Multi Power/Wattage (Selectable)

**WESTGATE**  
THE FUTURE IS HERE...AND IT'S QUITE BRIGHT!

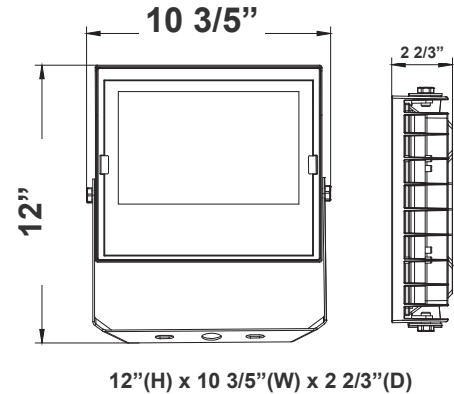


Customer Name: \_\_\_\_\_

Project Name: \_\_\_\_\_

Note: \_\_\_\_\_

Type: \_\_\_\_\_



Ideal for general site lighting, alleys, loading docks, doorway, pathway, and parking areas.

## Features

- Solid State Lighting Technology For Long Life
- No Maintenance Needed and High-Efficiency
- Optic Lens Type: III
- Multi-CCT Power - The Switch is on the Bottom of the Fixture

## Technical Specifications

### Electrical:

- Voltage: 120~277VAC/50~60 Hz
- Wattage: 50W/80W/100W
- Power Factor: >0.9
- Efficacy: 135 LPW

### Mechanical:

- Die-Cast Aluminum Housing with Powder Coat Finish (Dark Bronze and White Finish)
- Solid State Lighting technology For Long Life, No Maintenance needed and High-Efficiency
- High Conductive Aluminum LED Board
- Photocell Included (With Disconnect Switch)
- 270° Adjustable Yoke Mount
- Operating Temperature: -40°F to 104°F
- IP Rating: IP65, Suitable For Wet Locations
- 7-Year Warranty

### Lighting:

- Multi-CCT Power - The Switch is on the Bottom of the Fixture
- Dimming: 0~10V Dimmable
- Color Temperature: 3000K/4000K/5000K
- Total Lumens: 13500LM Max.
- Optic Lens Type: III
- Cord Type: 13" #18 AWG stranded wires
- Color Temperature: 3000K/4000K/5000K
- Total Lumens: 13500LM Max.
- Color Rendering Index: ≥ 82
- Beam Angle: 120°X 90°
- 70,000 Hours Rated Life

### Applications:

- Ideal for general site lighting, alleys, loading docks, doorway, pathway and parking areas.
- Replace existing HID flood lights/ wall packs

### Other Models:

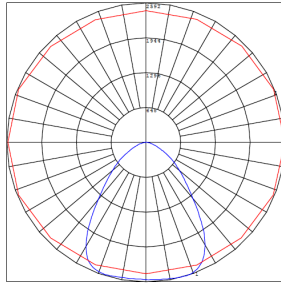
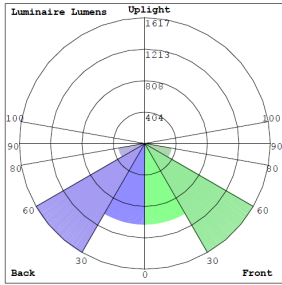
- 100W | 13500LM | LFXE-MD-50-100W-MCTP-KN-P



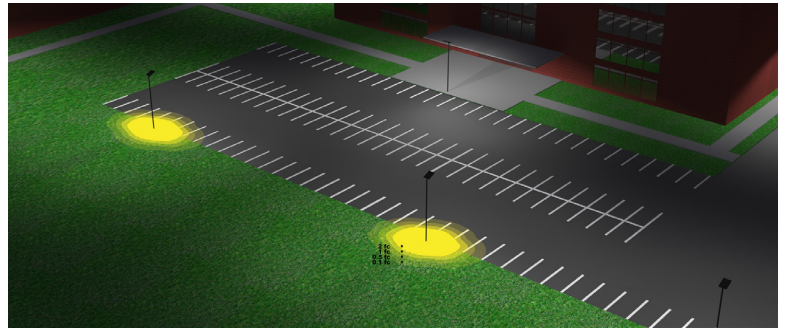
Phone: (877) 805-2252 | Fax: (877) 805-2252  
www.westgatemfg.com |



**Photometrics:** LFXE-MD-50-100W-MCTP-KN-P

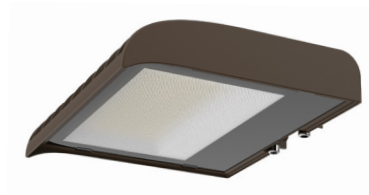


BUG Rating: B3-U0-G1



Area 45'x 55' Mounting Height: 20'

**Other Views:**



Side View



Front View



Back View

**Performance Table:** LFXE-MD-50-100W-MCTP-KN-P

MODEL NO.	Wattage	Voltage	Lumens	Color Temp.	BUG Rating	LPW
LFXE-MD-50-100W-MCTP-TR-P	50W	120~277V	6750LM	3000K	B3-U0-G1	135
	80W		10800LM	4000K		
	100W		13500LM	5000K		

**Sample Ordering**

Model	Size	Min.Wattage	Max.Wattage	Color Temp.	Mount	Photocell
LFXE	MD	50	100W	MCTP	TR	P

**Example:**

1. LFXE-MD-50-100W-MCTP-TR-P

(For LFXE 50-100W MCTP fixture 120V-277V)

