

LFXE SERIES Outdoor Lighting

LFXE-LG-80-150W-50K-P
BUILDER SERIES FLOOD/AREA LIGHTS WITH PHOTOCELL
MP Multi Power/Wattage (Selectable)

WESTGATE
THE FUTURE IS HERE...AND IT'S QUITE BRIGHT!

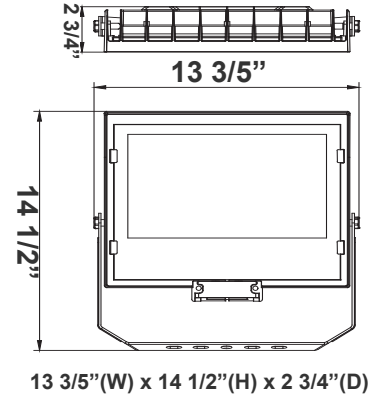


Ideal for general site lighting, alleys, loading docks, doorway, pathway, and parking areas.

Customer Name: _____

Project Name: _____

Note: _____ Type: _____



Features

- Solid State Lighting Technology For Long Life
- No Maintenance Needed and High-Efficiency
- 70,000 Hours Rated Life
- 7-Year Warranty
- Optic Lens Type: III
- Multi-Power - The Switch is On the Bottom of the Fixture

Technical Specifications

Electrical:

- Voltage: 120~277V AC/50~60 Hz
- Wattage: 80W/100W/150W
- Power Factor: >0.9
- Efficacy: 135 LPW

Mechanical:

- With Snap-On & Bolt Mounting Options For One- Person Installations. Select A Mounting Option (Sold Separately)
- Die-cast Aluminum Housing With Powder Coat Finish (Dark Bronze)
- Photocell Included (With Disconnect Switch)
- 10KV Lightning Surge Protection
- Effective Projected Areas (EPA's) are: Front = 0.38 ft², Side = 0.30 ft², Face = 1.05 ft²
- Operating Temperature: -40°F to 104°F
- IP Rating: IP65, Suitable for Wet Locations

Lighting:

- Multi-Power - The Switch is On the Bottom Of The Fixture
- Dimming: 0~10V Dimmable
- Optic Lens Type: III
- Cord Type: 6' SJTW 18/3 AWG cable
- Total Lumens: 20250LM Max.
- Color Temperature: 5000K
- Color Rendering Index: ≥ 82
- Beam Angle: 120° X 90°

Applications:

- Ideal for general site lighting, alleys, loading docks, doorway, pathway and parking areas.
- Replace existing HID flood lights/ wall packs

Other Models:

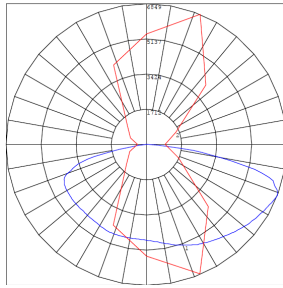
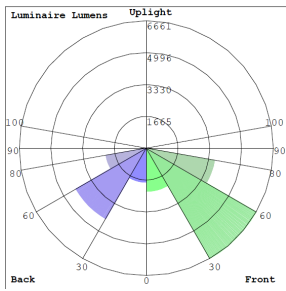
- 150W | 20250LM | LFXE-LG-80-150W-MCTP-P



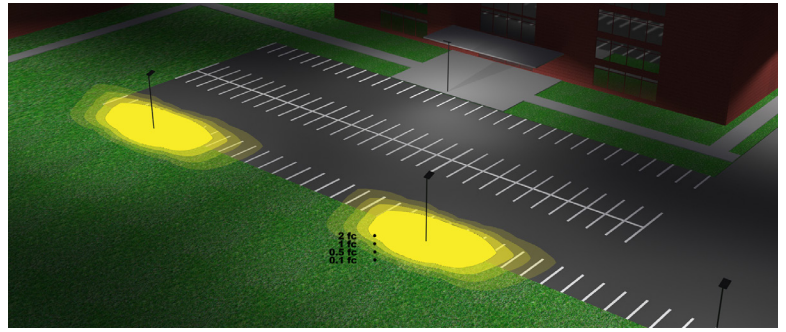
Phone: (877) 805-2252 | Fax: (877) 805-2252
www.westgatemfg.com |



Photometrics: LFXE-LG-80-150W-50K-P



BUG Rating: B3-U0-G3

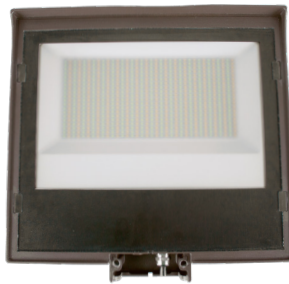


Area 55'x 100' Mounting Height: 20'

Other Views:



Side View



Front View



Back View

Performance Table: LFXE-LG-80-150W-50K-P

MODEL NO.	Wattage	Voltage	Lumens	Color Temp.	BUG Rating	LPW
LFXE-LG-80-150W-50K-P	80W	120~277V	10800LM	5000K	B3-U0-G3	135
	100W		13500LM			
	150W		20250LM			

Sample Ordering

Model Size Min. Max.Wattage Color Temp. Photocell

LFXE - LG - 80 - 150W - 50K - P

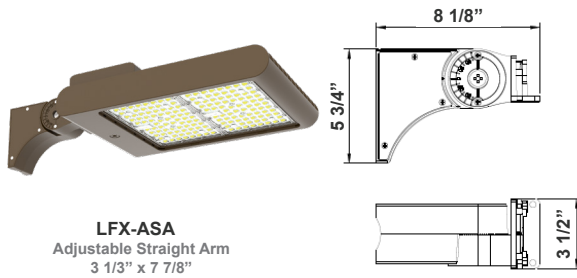
Example:

1. LFXE-LG-80-150W-50K-P

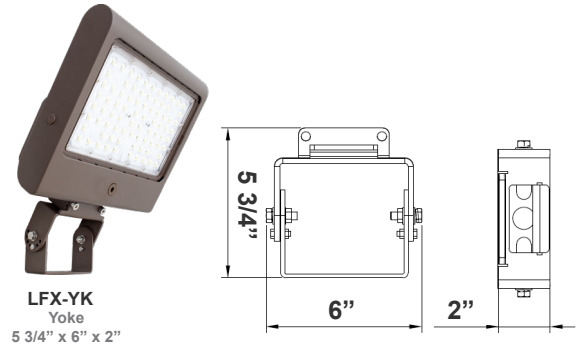
(For LFXE 150W 5000K fixture 120-277V)



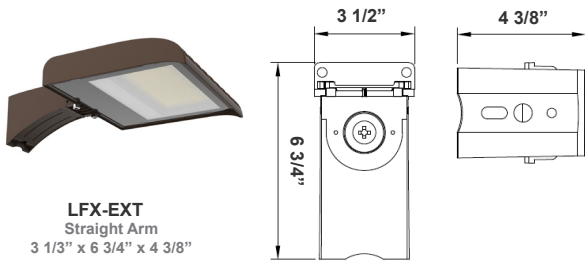
Mounting Options:



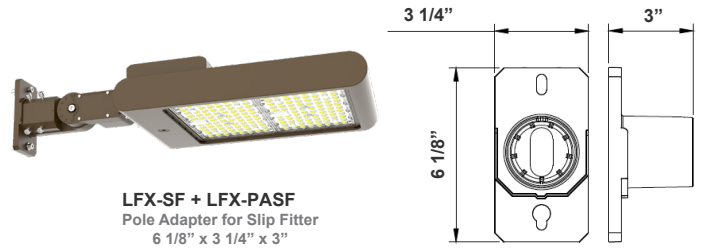
LFX-ASA
Adjustable Straight Arm
3 1/3" x 7 7/8"



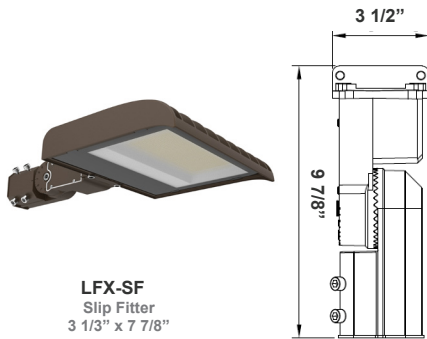
LFX-YK
Yoke
5 3/4" x 6" x 2"



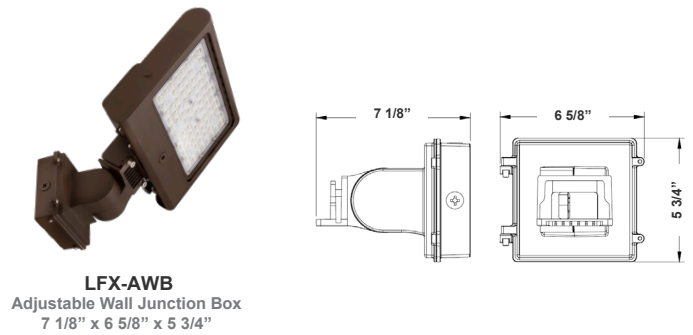
LFX-EXT
Straight Arm
3 1/3" x 6 3/4" x 4 3/8"



LFX-SF + LFX-PASF
Pole Adapter for Slip Fitter
6 1/8" x 3 1/4" x 3"



LFX-SF
Slip Fitter
3 1/3" x 7 7/8"



LFX-AWB
Adjustable Wall Junction Box
7 1/8" x 6 5/8" x 5 3/4"

