

LFX-XL SERIES Outdoor Lighting

LFX-XL-150-300W-30K-SC
LFX-XL-150-300W-40K-SC
LFX-XL-150-300W-50K-SC
SPEC SERIES POWER-ADJUSTABLE FLOOD/AREA LIGHT
MP Multi Power/Wattage (Selectable)



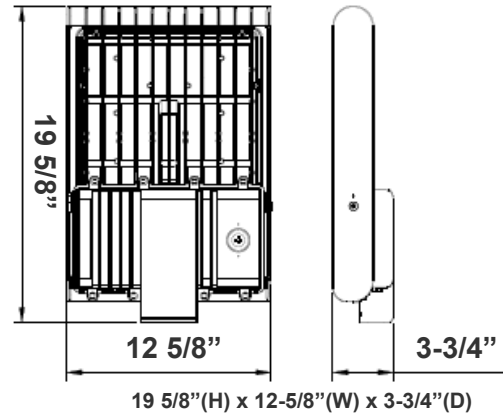
Ideal for general site lighting, alleys, loading docks, doorway, pathway, and parking areas.

WESTGATE
THE FUTURE IS HERE...AND IT'S QUITE BRIGHT!

Customer Name: _____

Project Name: _____

Note: _____ Type: _____



Features

- DLC Premium & LED High-Lumen Flood lights
- Solid State Lighting Technology for Long Life
- No Maintenance Needed and High-Efficiency
- 70,000 Hours Rated Life
- 7-Year Warranty
- Optic Lens Type: III
- Multi-Power - The Switch is On the Bottom of the Fixture

Technical Specifications

Electrical:

- Voltage: 120~277V AC/50~60 Hz
- Wattage: 150W/200W/240W/300W
- Power Factor: >0.9
- Efficacy: 145 LPW

Mechanical:

- With Snap-on & Bolt Mounting Options for One- Person Installations. Select a Mounting Option (Sold Separately)
- NEMA Twist-Lock Shorting Cap Included. Photocell Sold Separately
- Die-cast Aluminum Housing with Powder Coat Finish (Dark Bronze)
- 10KV Lightning Surge Protection
- IP Rating: IP65
- Effective Projected Areas (EPA's) are: Front = 0.38 ft², Side = 0.30 ft², Face = 1.05 ft²
- Operating Temperature: -40°F to 104°F
- Suitable for Wet Locations

Lighting:

- Dimming: 0~10V dimmable
- Optic Lens Type: III
- Cord Type: 6' SJTW 18/3 AWG cable
- Total Lumens: 43500LM Max.
- Color Temperature: 3000K/ 4000K/ 5000K
- Color Rendering Index: ≥ 82
- Beam Angle: 120°X 90°

Applications:

- Ideal for general site lighting, alleys, loading docks, doorway, pathway and parking areas.
- Replace existing HID flood lights/ wall packs

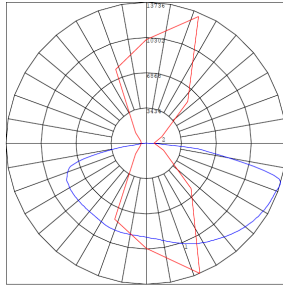
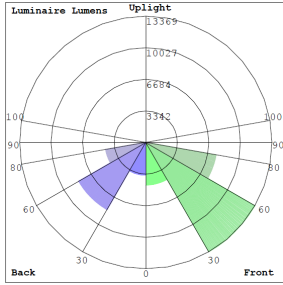


Phone: (877) 805-2252 | Fax: (877) 805-2252
www.westgatemfg.com |

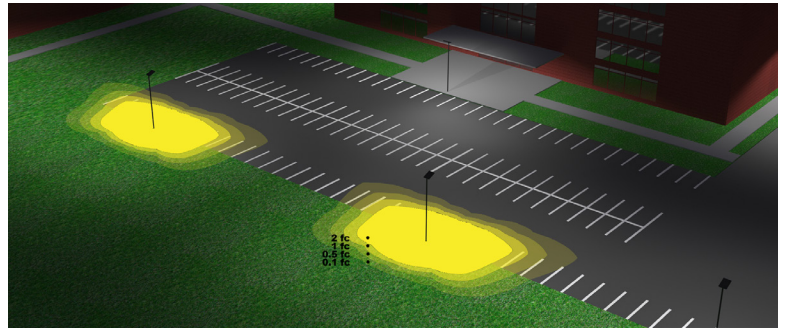


WG-ZB-Y6-2Z

Photometrics: LFX-XL-150-300W-SC



BUG Rating: B4-U0-G4



Area 65'x 120' Mounting Height: 20'

Other Views:



Side View



Front View



Back View

Performance Table: LFX-XL-150-300W-SC

MODEL NO.	Wattage	Voltage	Lumens	Color Temp.	BUG Rating	LPW
LFX-XL-150-300W-30K-SC	150W	120~277V	21750LM	3000K	B4-U0-G4	145
LFX-XL-150-300W-40K-SC	200W		29000LM	4000K		
LFX-XL-150-300W-50K-SC	240W		34800LM	5000K		
	300W		43500LM			

EPA Rating:

Model	0.8	1.25	1.44	1.89	1.7	2.34
LFX-XL						



Sample Ordering

Model Size Min.Wattage Max.Wattage Color Temp. Receptacle

LFX - XL - 150 - 300W - - SC

30K = 3000K
40K = 4000K
50K = 5000K

Accessories Options

Blank = No Option for Accessories
WEC-8RC = Remote Control for OPT-SEN-3MR-4
*REFER TO PAGE 3 FOR MOUNTING OPTIONS

Factory Installed Options

Blank = No Factory Installed Options
OPT-EM-LFX-XL = External Backup Battery Box
OPT-LFX-XL-TYPEIV = TYPE IV
OPT-LFX-XL-TYPEV = TYPE V
OPT_010W/PO = 0-10V Dim. Wires Pulled Out
OPT-CLR-95 = Color Paint
OPT_CIR_MC = 260 Set up fee per project
OPT-LF3-PCK = Twist Lock Photocell
OPT-3MPC = Microwave Photocell with a 1/2" threaded

SENSOR AND REMOTE CONTROL OPTIONS

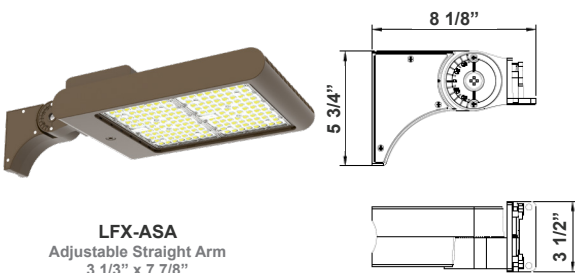


WEC-8RC
Remote control

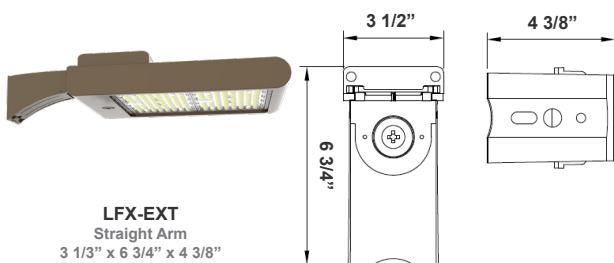


OPT-SEN-3MR-3
Bi-Level Motion
Sensor

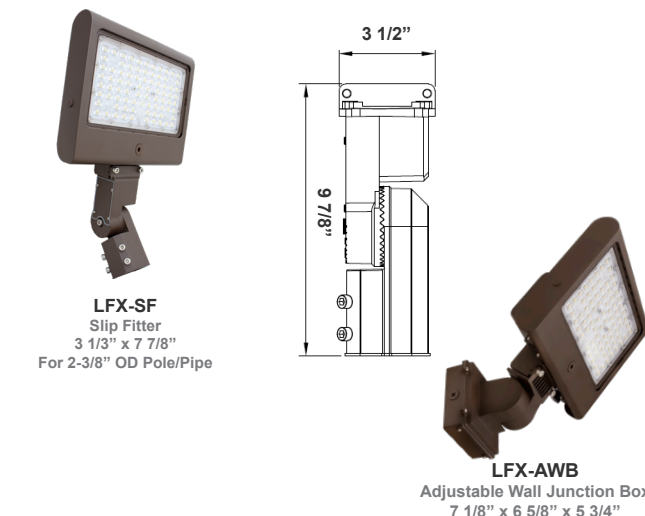
Mounting Options:



LFX-ASA
Adjustable Straight Arm
3 1/3" x 7 7/8"

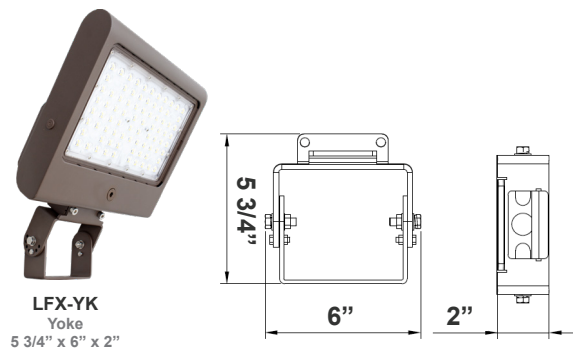


LFX-EXT
Straight Arm
3 1/3" x 6 3/4" x 4 3/8"

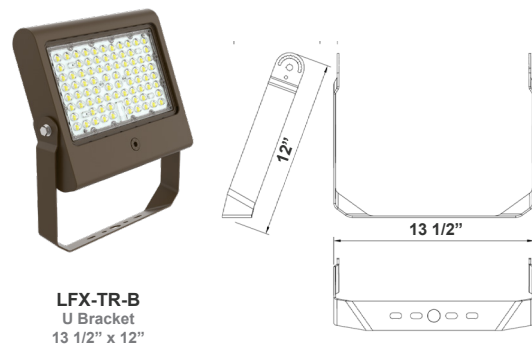


LFX-SF
Slip Fitter
3 1/3" x 7 7/8"
For 2-3/8" OD Pole/Pipe

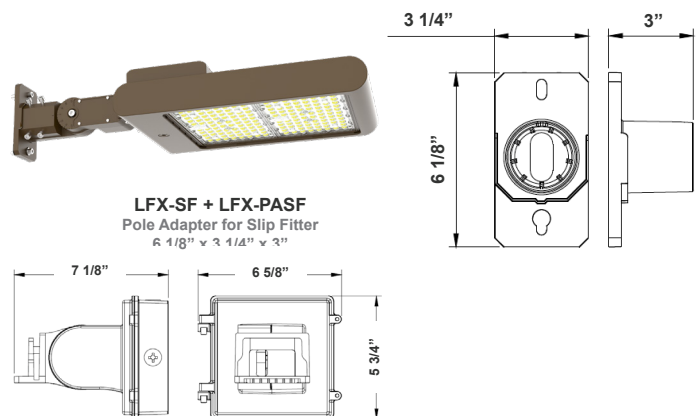
LFX-AWB
Adjustable Wall Junction Box
7 1/8" x 6 5/8" x 5 3/4"



LFX-YK
Yoke
5 3/4" x 6" x 2"



LFX-TR-B
U Bracket
13 1/2" x 12"



LFX-SF + LFX-PASF
Pole Adapter for Slip Fitter
R 1/8" x 3 1/4" x 3"



Color Options: LFX-XL-150-300W
 Custom Color Available

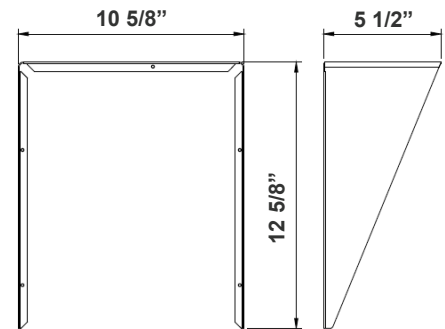
Black Silver White **Dark Bronze** Green Red Yellow
Default color



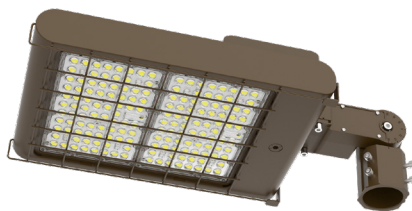
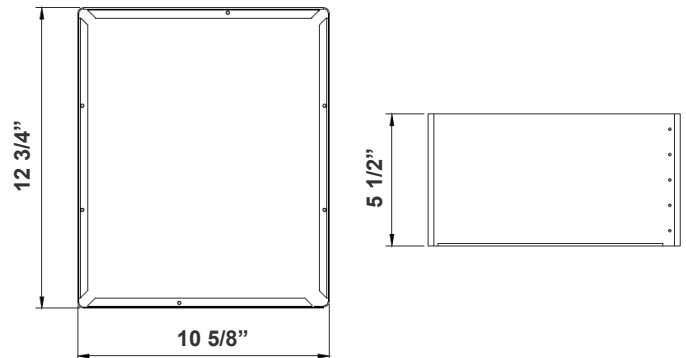
Shroud & Wire Guard: LFX-XL-150-300W



LF-SHROUD-B
 Shroud
 12 5/8" x 10 5/8" x 5 1/2"



LF-SHROUD-E
 Full-Glare Shroud
 12 3/4" x 10 5/8" x 5 1/2"



LFX-WG-B
 Wire Guard



COLOR CHART: * Choose from one of our Premium Colors with no set-up fee.

Gloss:



SILVER METALLIC
70 GLOSS
T357-GR105



SILVER METALLIC
30 GLOSS
T353-GR06



DARK RED 90
GLOSS
P009-RD02



INTERNATIONAL
ORANGE 90
GLOSS
T009-OG26



SAFETY ORANGE
90 GLOSS
T009-OG01



YELLOW 90
GLOSS
T009-YL14



YELLOW 90
GLOSS
T009-YL01



TRAFFIC GREEN
70 GLOSS
T007-GN16



GREEN 70 GLOSS
T007-GN13



GREEN 60 GLOSS
C006-GN03



BLUE 90 GLOSS
T009-BL01



DARK BLUE 80
GLOSS
T008-BL20



RAL 8028 TERRA
BROWN 90 GLOSS
C209-BR358

Hammer:



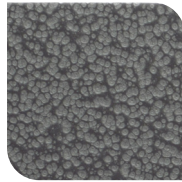
WHITE HAMMER
T013-WH09



BEIGE HAMMER
T013-BG38



GREY HAMMER
C013-GR08



SILVER
HAMMERTONE
T064-GR05



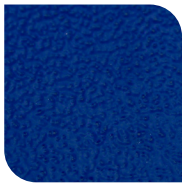
BLACK HAMMER
T013-BK62



RED HAMMER
T013-RD15



GREEN HAMMER
T013-GN220



BLUE HAMMER
T013-BL468



BRONZE HAMMER
T012-BR161

Texture:



WHITE TEXTURE
C031-WH120



FLINT GRAY
TEXTURE
T243-GR522



BLACK TEXTURE
C241-BK109



RED TEXTURE
T241-RD129



BLUE TEXTURE
C241-BL544

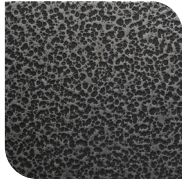


OIL RUBBED
BRONZE TEXTURE
T291-BR251

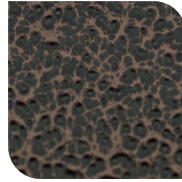
Vein:



BLACK/WHITE
VEIN
T075-WH34



SILVER VEIN
T375-BK26



COPPER VEIN
EXTERIOR
T075-BK211



GOLD VEIN
T375-BK10



COPPER VEIN
T375-BK07

