

LFX-LG SERIES Outdoor Lighting

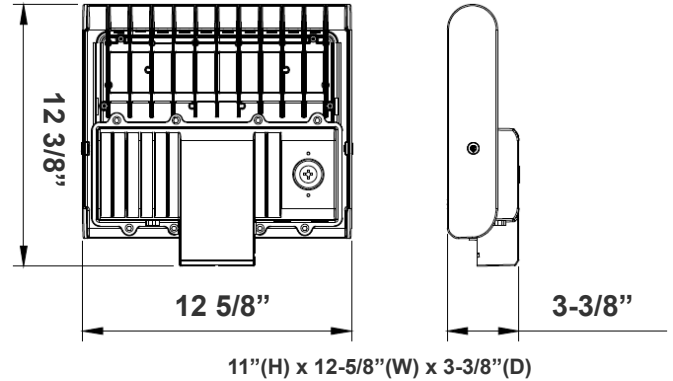
LFX-LG-80-150W-MCTP- 480V-SC
ADJUSTABLE FLOOD/AREA LIGHT, PHOTOCELL READY
MCTP Multi Color Temperature & Multi Power/Wattage (Selectable)

WESTGATE
THE FUTURE IS HERE...AND IT'S QUITE BRIGHT!



Ideal for general site lighting, alleys, loading docks, doorway, pathway, and parking areas.

Customer Name: _____
Project Name: _____
Note: _____ Type: _____



Features

- DLC Premium & LED High-Lumen Flood lights
- Solid State Lighting Technology for Long Life
- No Maintenance Needed and High-Efficiency
- 70,000 Hours Rated Life
- 7-Year Warranty
- Optic Lens Type: III
- Multi-Power - The Switch is On the Bottom of the Fixture

Technical Specifications

Electrical:

- Voltage: 480V AC/50~60 Hz
- Wattage: 80W/100W/150W
- Power Factor: >0.9
- Efficacy: 145 LPW

Mechanical:

- With Snap-on & Bolt Mounting Options for One- Person Installations. Select a Mounting Option (Sold Separately)
- NEMA Twist-Lock Shorting Cap Included. Photocell Sold Separately
- Die-cast Aluminum Housing with Powder Coat Finish (Dark Bronze)
- IP Rating: IP65
- 10KV Lightning Surge Protection
- Effective Projected Areas (EPA's) are: Front = 0.38 ft², Side = 0.30 ft², Face = 1.05 ft²
- Operating Temperature: -40°F to 122°F
- Suitable for Wet Locations

Lighting:

- Dimming: 0~10V dimmable
- Optic Lens Type: III
- Cord Type: 6' SJTW 18/3 AWG cable
- Total Lumens: 21750LM Max.
- Color Temperature: 3000K/ 4000K/ 5000K
- Color Rendering Index: ≥ 82
- Beam Angle: 90° X 120°

Applications:

- Ideal for general site lighting, alleys, loading docks, doorway, pathway and parking areas.
- Replace existing HID flood lights/ wall packs

Other Models:

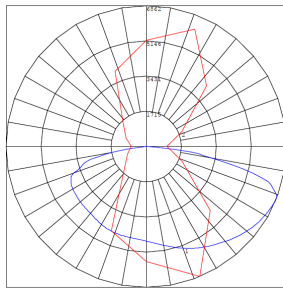
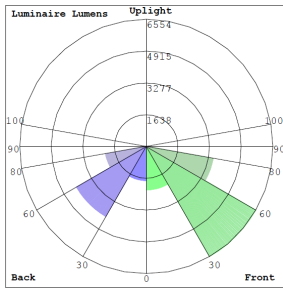
- 300W | 43500LM | LFX-XL-200-300W- MCTP-480V-SC



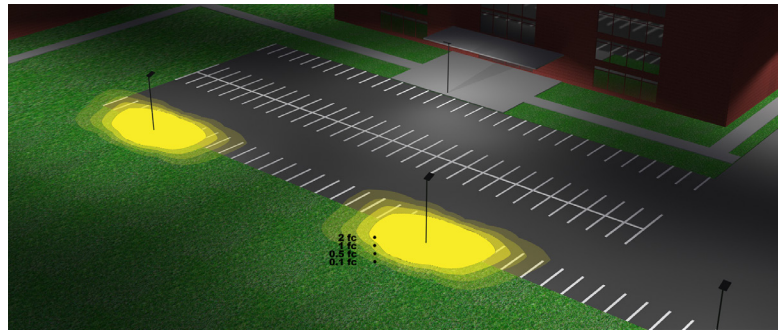
Phone: (877) 805-2252 | Fax: (877) 805-2252
www.westgatemfg.com |



Photometrics: LFX-LG-80-150W-MCTP- 480V-SC



BUG Rating: B3-U0-G3



Area 55'x 100' Mounting Height: 20'

Other Views:



Front View

Performance Table: LFX-LG-80-150W-MCTP- 480V-SC

MODEL NO.	Wattage	Voltage	Lumens	Color Temp.	BUG Rating	LPW
LFX-LG-80-150W-MCTP- 480V-SC	800W	480V	29000LM	3000K	B4-U0-G4	145
	100W		34800LM	4000K		
	150W		43500LM	5000K		

Sample Ordering

Model Size Min.Wattage Max.Wattage Color Temp. Volt Shorting Cap

LFX - LG - 80 - 150W - MCTP - 480V - SC

Accessories Options

Blank = No Option for Accessories
 WEC-8RC =Remote Control for OPT-SEN-3MR-4

Factory Installed Options

Blank = No Factory Installed Options
 OPT-EM-LFX-LG = External Backup Battery
 OPT-LFX-LG-TYPEIV = TYPE IV
 OPT-LFX-LG-TYPEV = TYPE V
 OPT_010W/PO = 0-10V Dim. Wires Pulled Out
 OPT-CLR-95 = Color Paint
 OPT_CIR_MC = 260 Set up fee per project







SENSOR AND REMOTE CONTROL OPTIONS



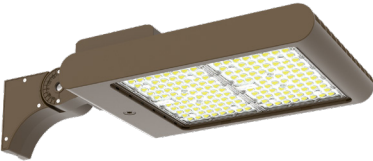
WEC-8RC Remote control



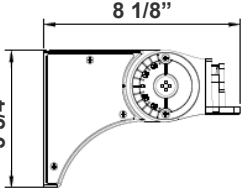


EPA Rating:


Model						
LFX-LG	0.58	1	1.22	1.44	1.29	1.86

Mounting Options:

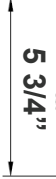





LFX-ASA
Adjustable Straight Arm
3 1/3" x 7 7/8"







LFX-YK
Yoke
5 3/4" x 6" x 2"

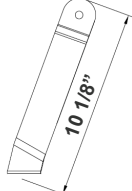




LFX-EXT
Straight Arm
3 1/3" x 6 3/4" x 4 3/8"


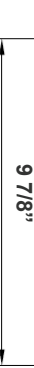



LFX-TR-A
U Bracket
13 3/8" x 10 1/8"



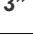



LFX-SF
Slip Fitter
3 1/3" x 7 7/8"
For 2-3/8" OD Pole/Pipe

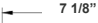




LFX-SF + LFX-PASF
Pole Adapter for Slip Fitter
6 1/8" x 3 1/4" x 3"



LFX-AWB
Adjustable Wall Junction Box
7 1/8" x 6 5/8" x 5 3/4"



Color Options: LFX-LG-80-150W-MCTP- 480V-SC
 Custom Color Available

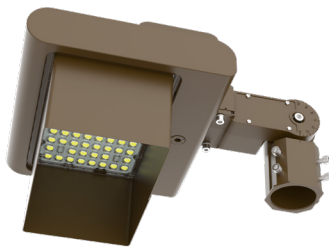
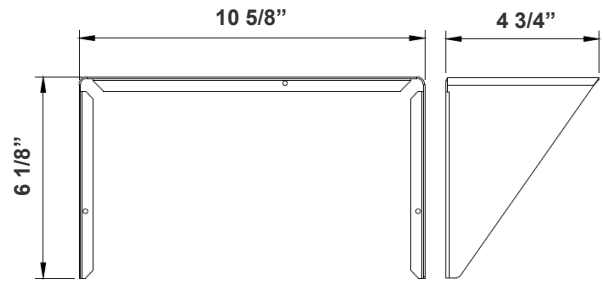
Black Silver White **Dark Bronze** Green Red Yellow
 Default color



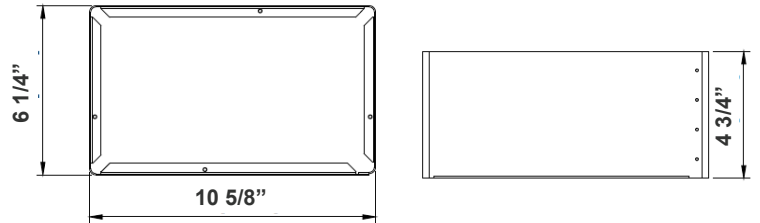
Shroud & Wire Guard: LFX-LG-80-150W-MCTP- 480V-SC



LF-SHROUD-A
 Shroud
 6 1/8" x 10 5/8" x 4 3/4"



LF-SHROUD-D
 Full-Glare Shroud
 6 1/4" x 10 5/8" x 4 3/4"



LFX-WG-A
 Wire Guard

