

LFE SERIES Outdoor Lighting

LFE-30W-MCT-KN

COMPACT FLOOD LIGHT



Selection:

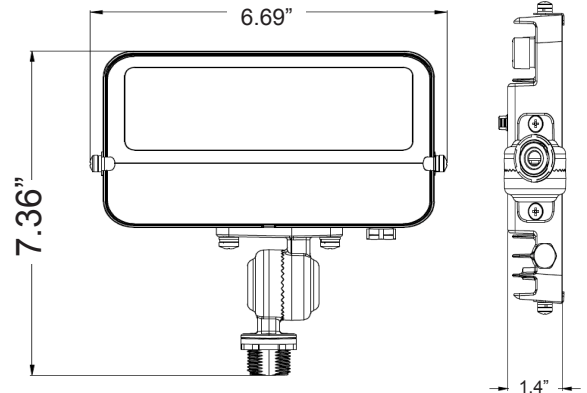


Customer Name: _____

Project Name: _____

Note: _____

Type: _____



7.36"(H) x 6.69"(W) x 1.4"(D)

Ideal for general site lighting, alleys, loading docks, doorways, pathway, parking areas. Replace existing HID flood lights/wall packs. Great for use with motion sensors or other instant on/off controls. Solid state lighting technology for long life, low maintenance and high efficiency .

Features

- 90° Adjustable 1/2" Knuckle Mount
- MCT: Multi Color Temperature (Switch On The Back of Fixture With Silicon Cover)
- 7-Year Warranty
- 70,000 hours rated life
- Low Maintenance Needed and High Efficiency

Technical Specification

Electrical:

- Voltage: 120 VAC 50/60Hz
- Wattage: 30W
- Power Factor: >0.9
- Efficacy: 105 LPW
- THD: <25%

Mechanical:

- Die-Cast Aluminum Housing With Powder Coat Finish (Dark Bronze Finish)
- Solid State Lighting Technology For Long Life, Low Maintenance Needed and High Efficiency
- High Conductive Aluminum LED Board
- IP Rating: IP65
- Operating Temperature: -40°F to 104°F
- Suitable for Wet Locations

Lighting:

- Cord type: 18" SJTW 18/3 AWG cable
- MCT: Multi Color Temperature (Switch On The Back of Fixture With Silicon Cover)
- Total lumens: 3150LM
- Color temperature: 3000K/ 4000K/ 5000K
- Color rendering index: CRI > 70
- Beam Angle: 120° x 90°

Applications:

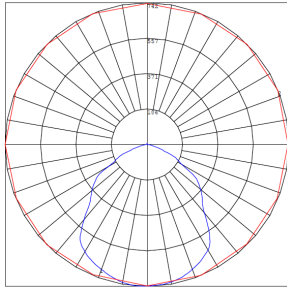
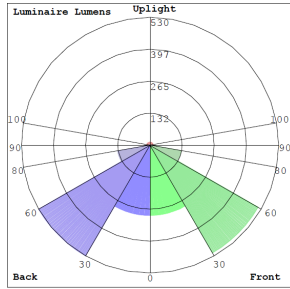
- Ideal for general site lighting, alleys, loading docks, doorway, pathway and parking areas.
- Replace existing HID flood lights/ wall pack
- Great for use with motion sensors or other instant on/off controls

Other Models:

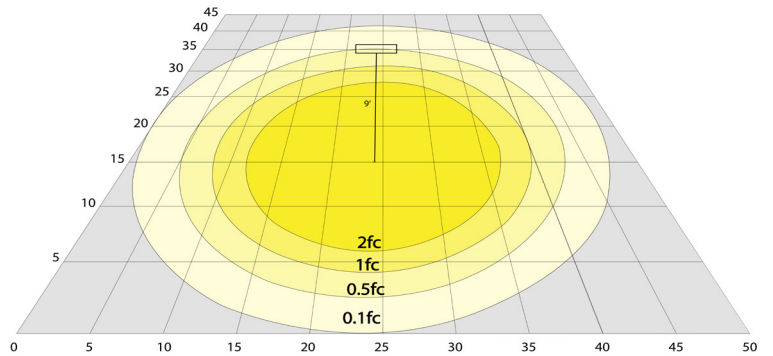
- 15W | 1600LM | LFE-15W-MCT-KN
- 50W | 5250LM | LFE-50W-MCT-KN



Photometrics: LFE-30W-MCT-KN



BUD Rating: B2-U2-G0



Area 45'x 50' Mounting Height: 9'

Other Views:



Side View



Front View



Back View

Performance Table: LFE-30W-MCT-KN

MODEL NO.	Wattage	Voltage	Lumens	Color Temp.	BUG Rating	LPW
LFE-30W-MCT-KN	30W	120V	3150LM	3000K 4000K 5000K	B2-U2-G0	105

Sample Ordering

Model Wattage Color Temp.

LFE - 30W - MCT - KN

Accessories Options

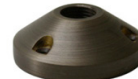
Blank = No Option For Accessories

WRC-3-BRZ = Weatherproof cover with three(3) 1/2" hubs

ACCESSORIES AND MOUNTING OPTIONS



WRC-3-BRZ
Weatherproof cover with
Three
(3) 1/2" hubs



B-41



Mounts to landscape
post
or any 1/2" hub



Fully adjustable 1/2"
threaded knuckle for aiming
versatility

Example:

1. LFE-30W-MCT-KN
WRC-3-BRZ

(For LFE 30W MCT fixture 120V
(For Weatherproof cover with three(3) 1/2" hubs)

