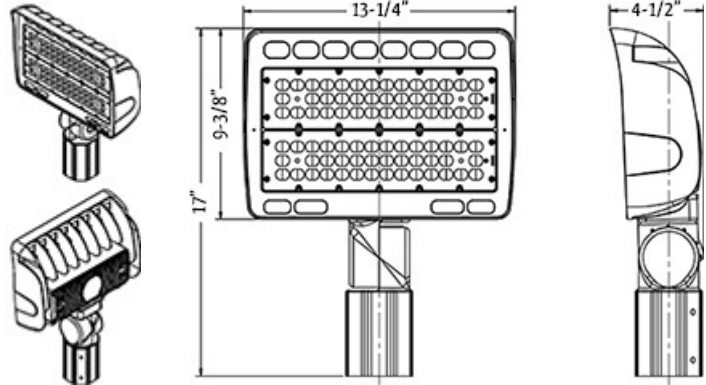




**LF4-150CW-SF**  
**LF4-150WW-SF**

**DIMENSIONS:**

17"(H) x 13-1/4"(W) x 4-1/2"(D)



**LF4 ARCHITECTURAL SERIES LED FLOOD LIGHT  
WITH SLIP FITTER**

MODEL	WATTS	VOLTAGE	LUMENS	COLOR TEMP
LF4-150CW-SF	150W	120~277V AC	17000 LM	5000K
LF4-150WW-SF	150W	120~277V AC	17000 LM	3000K

Ideal for general site lighting, alleys, loading docks, doorway, pathway and parking areas. Great for use with motion sensors or other instant on/off controls.

**ELECTRICAL SPECIFICATIONS:**

- Voltage: 120-277VAC 50/60Hz
- Wattage: 150W
- Input current: 1.7A Max
- Other wattages: 80W, 100W
- Power factor: >0.95
- Efficacy: 115LM/W

**LIGHTING SPECIFICATIONS:**

- Dimmable: 0~10V Dimmable
- LED type/brand: Philips Lumileds LEDs / SMD 3030
- Total lumens: 17000LM
- Color temperature: 3000K / 5000K
- Color rendering index: >82
- Beam angle: 90° x 120°

**WARRANTY: 7 years**

**HOUSING SPECIFICATIONS:**

- Die-cast aluminum with powder coat finish (Dark Bronze)
- Operating temperature: -40°F ~ 104°F
- Lifespan: 70000 Hrs.
- IP rating: IP65, Wet Locations
- High light transmittance, anti-UV & fire resistant PC lens

**CERTIFICATIONS: UL, DLC**

