

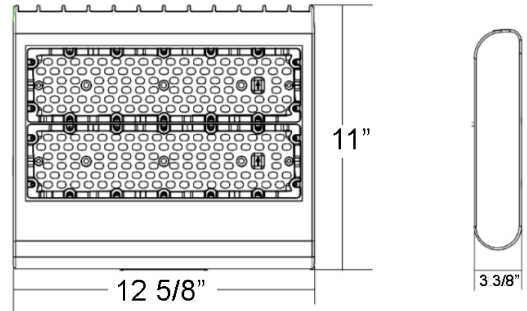
# LF3-HL SERIES Outdoor Lighting



LF3-HL-100W-30K-TR  
 LF3-HL-100W-40K-TR  
 LF3-HL-100W-50K-TR



Customer Name: \_\_\_\_\_  
 Project Name: \_\_\_\_\_  
 Note: \_\_\_\_\_ Type: \_\_\_\_\_



11"(H) x 12-5/8"(W) x 3-3/8"(D)

Ideal for general site lighting, alleys, loading docks, doorway, pathway, and parking areas.

## Features

- DLC Premium & LED High-Lumen Floor lights
- Solid State Lighting Technology for Long Life
- No Maintenance Needed and High-Efficiency
- 70,000 Hours Rated Life
- 7-Year Warranty
- Lens: TYPE II, III and IV Optic Lens

## Technical Specifications

### Electrical:

- Voltage: 120~277VAC/50~60 Hz
- Wattage: 100W
- Power factor: >0.9
- Efficacy: 130 LPW

### Mechanical:

- With Snap-on & Bolt Mounting Options for One-Person Installations. Select a Mounting Option (Sold Separately)
- Die-cast Aluminum Housing with Powder Coat Finish (Dark Bronze)
- IP Rating: IP65
- Effective Projected Areas (EPA's) are:  
 Front = 0.38 ft<sup>2</sup>, Side = 0.30 ft<sup>2</sup>, Face = 1.05 ft<sup>2</sup>
- Operating Temperature: -40°F to 104°F
- Suitable for Wet Locations

### Lighting:

- Dimming: 0~10V dimmable
- Optic Lens Type: III (Type II with "U" Bracket)
- LED: Lumileds Luxeon 3030 High Flux LED
- Cord Type: 6' SJTW 18/3 AWG cable
- Total Lumens: 13000LM/ 13200LM
- Color Temperature: 3000K/ 4000K/ 5000K
- Color Rendering Index: ≥ 82
- Beam Angle:  
 Type 2=120°X90° | Type 3=140° x80° | Type 4=140°x100°

### Applications:

- Ideal for general site lighting, alleys, loading docks, doorway, pathway and parking areas.
- Replace existing HID flood lights/ wall packs

### Other Models:

- |                                     |                                      |                                      |                                      |
|-------------------------------------|--------------------------------------|--------------------------------------|--------------------------------------|
| • 30W   10400LM   LF3-HL-80W-30K-TR | • 30W   19700LM   LF3-HL-150W-30K-TR | • 30W   29600LM   LF3-HL-230W-30K-TR | • 30W   37000LM   LF3-HL-300W-30K-TR |
| • 40W   10700LM   LF3-HL-80W-40K-TR | • 40W   20680LM   LF3-HL-150W-40K-TR | • 40W   30000LM   LF3-HL-230W-40K-TR | • 40W   39000LM   LF3-HL-300W-40K-TR |
| • 50W   11200LM   LF3-HL-80W-50K-TR | • 50W   20680LM   LF3-HL-150W-50K-TR | • 50W   30000LM   LF3-HL-230W-50K-TR | • 50W   39000LM   LF3-HL-300W-50K-TR |

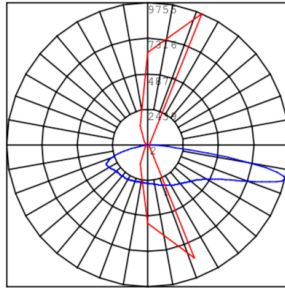
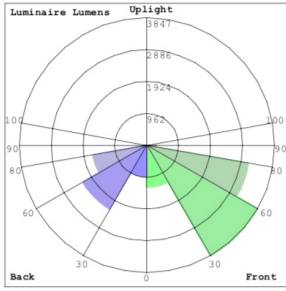


Phone: (877) 805-2252 | Fax: (877) 805-2252  
 www.westgatemfg.com | www.westgatecontrols.co

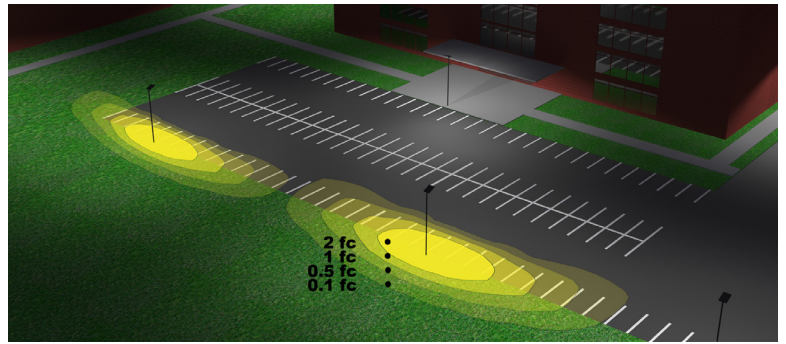


## Photometrics: LF3-HL-100W

TYPE III (TYPE II & TYPE IV see page 4)



BUG Rating: B3-U0-G3



Area 80'x 170' Mounting Height: 20'

## Other Views:



Front View



Side View



Back View

## Performance Table: LF3-HL-100W

MODEL NO.	Wattage	Voltage	Lumens	Color Temp.	BUG Rating	LPW
LF3-HL-100W-30K-TR	100W	120~277V	13000LM	3000K	B3-U0-G3	130
LF3-HL-100W-40K-TR	100W	120~277V	13200LM	4000K	B3-U0-G3	132
LF3-HL-100W-50K-TR	100W	120~277V	13200LM	5000K	B3-U0-G3	132

## Sample Ordering

Model      Wattage      Color Temp.

LF3 - HL - 100W -  - TR

30K = 3000K  
40K = 4000K  
50K = 5000K

## Accessories Options

Blank = No Option for Accessories  
WEC-7RC = Remote Control for OPT-SEN-3MR-4  
\*REFER TO PAGE 3 FOR MOUNTING OPTIONS

## Factory-Installed Options

Blank = No Factory Installed Options  
OPT-LF3-PCK = Twist Lock Photocell  
OPT-SEN-3MR-3 = Programmable Microwave BI-Level  
OPT-TLSOC7P = 7-Pin Receptacle Kit to accept Smart Control Twist-Lock Photocell (Photocell not incl.) (Shorting Cap incl.)  
OPT-CLR-95 = Color Paint

## Example:

1. LF3-HL-100W-30K-TR (For LF3 100W 3000K fixture 120V-277V)
2. LF3-HL-100W-30K-TR (For LF3 100W 3000K fixture 120V-277V)  
WEC-7RC (For Remote Control)
3. LF3-HL-100W-30K-TR (For LF3 100W 3000K fixture 120V-277V)  
WEC-7RC (For Remote Control)  
OPT-SEN-3MR-3 (For Programmable Microwave BI-Level Motion Sensor)

## SENSOR AND REMOTE CONTROL OPTIONS



LF3-HL-PCK  
Twist-Lock  
Photocell + Receptacle Kit



OPT-SEN-3MR-3  
Bi-Level Motion  
Sensor



WEC-7RC  
Remote control



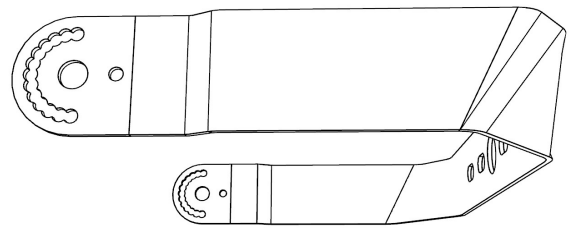
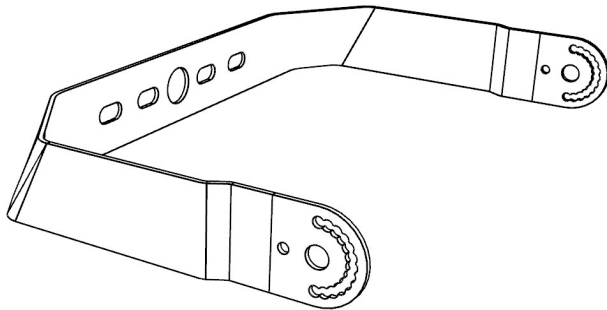
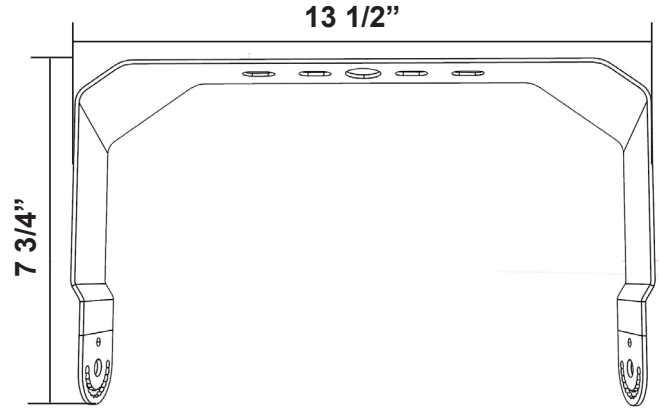
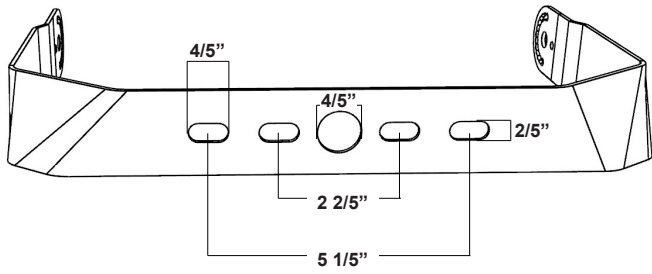
OPT-TLSOC7P  
Smart Control  
7-Pin Receptacle Kit  
(Photocell not incl.)  
(Shorting Cap incl.)



Smart Control  
7-Pin Receptacle Kit  
for  
OPT-TLSOC7P



**U BRACKET Dimension:** LF3-HL-100W



**Shroud & Wire Guard:** LF3-HL-100W



**LF3-SH3**

Shroud (Reversible)



**LF3-SH3FG**

Full Glare shroud



**LF3-WG3**

Wire Guard

**Color Options:** LF3-HL-100W

Custom color available

Black

Silver

White

Dark Bronze

Default color

Green

Red

Yellow





## Lens Type Specifications:

- Optical PC Precision lenses designed for Westgate LF3 Series Flood Lights
- These lenses are replaceable by the factory or field replaced by installers

## Lens Type Options:



**LF3-HL-TYPEII-100W** = TYPE 2 lens for LF3-HL series 100W (2/Order)

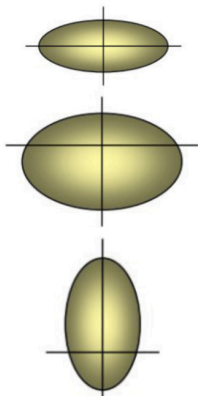
**LF3-HL-TYPEIII-100W** = TYPE 3 lens for LF3-HL series 100W (2/Order)

**LF3-HL-TYPEIV-100W** = TYPE 4 lens for LF3-HL series 100W (2/Order)

## Lens Type Explained

SELECTING THE BEST DISTRIBUTION TYPE FOR YOUR OUTDOOR PROJECT

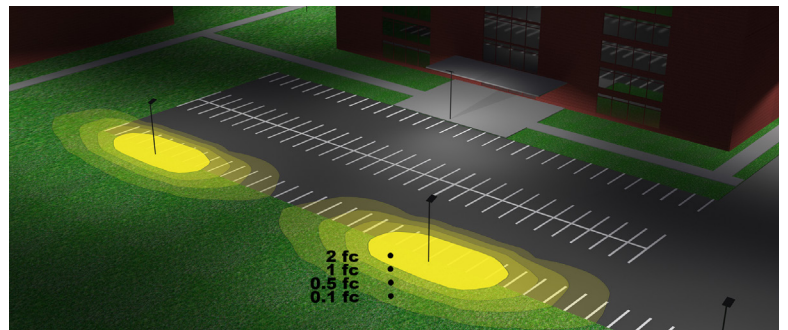
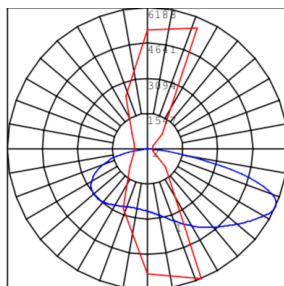
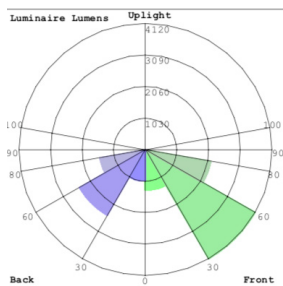
- “Distribution Type” defines how far forward of the luminaire (i.e., on the StreetSide) the effective output reaches



- Type 2 is still linear but wider in the front to accommodate 4 lane roadways or wider drive lanes
- Type 3 (commonly known as a “Bat-Wing”) is suitable for perimeters, often where other interior pole placements fill the site
- Type 4 (commonly known as a “Forward Throw” or Asymmetric) Is best along perimeters where spill light is a concern or there are no place to add poles within a site

## Photometrics: LF3-HL-100W

### TYPE II



### TYPE IV

