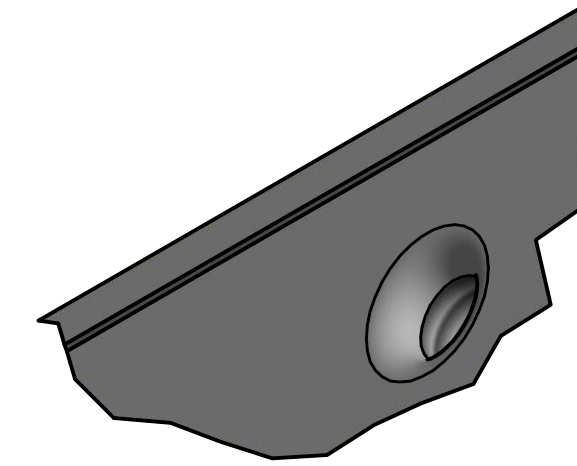
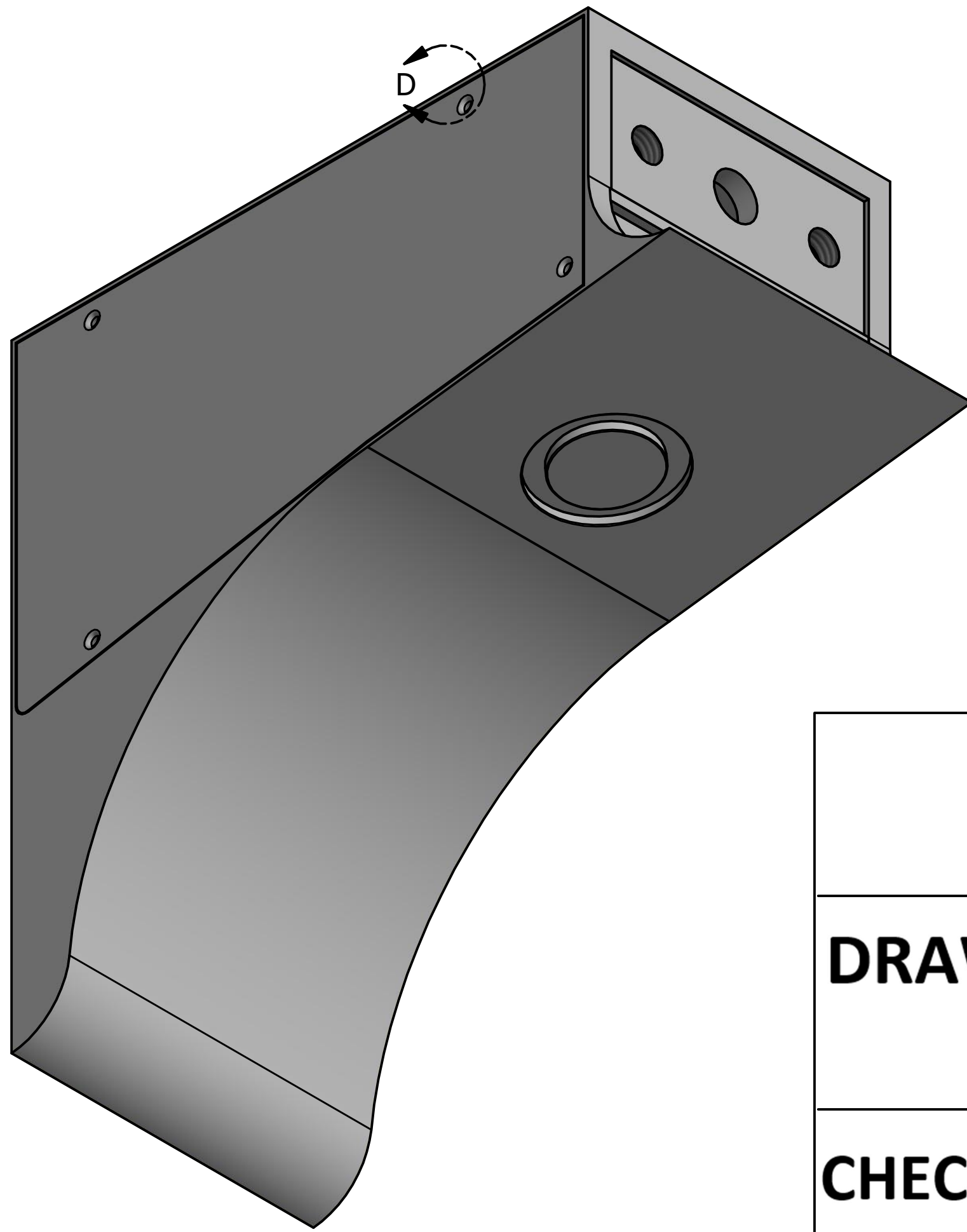
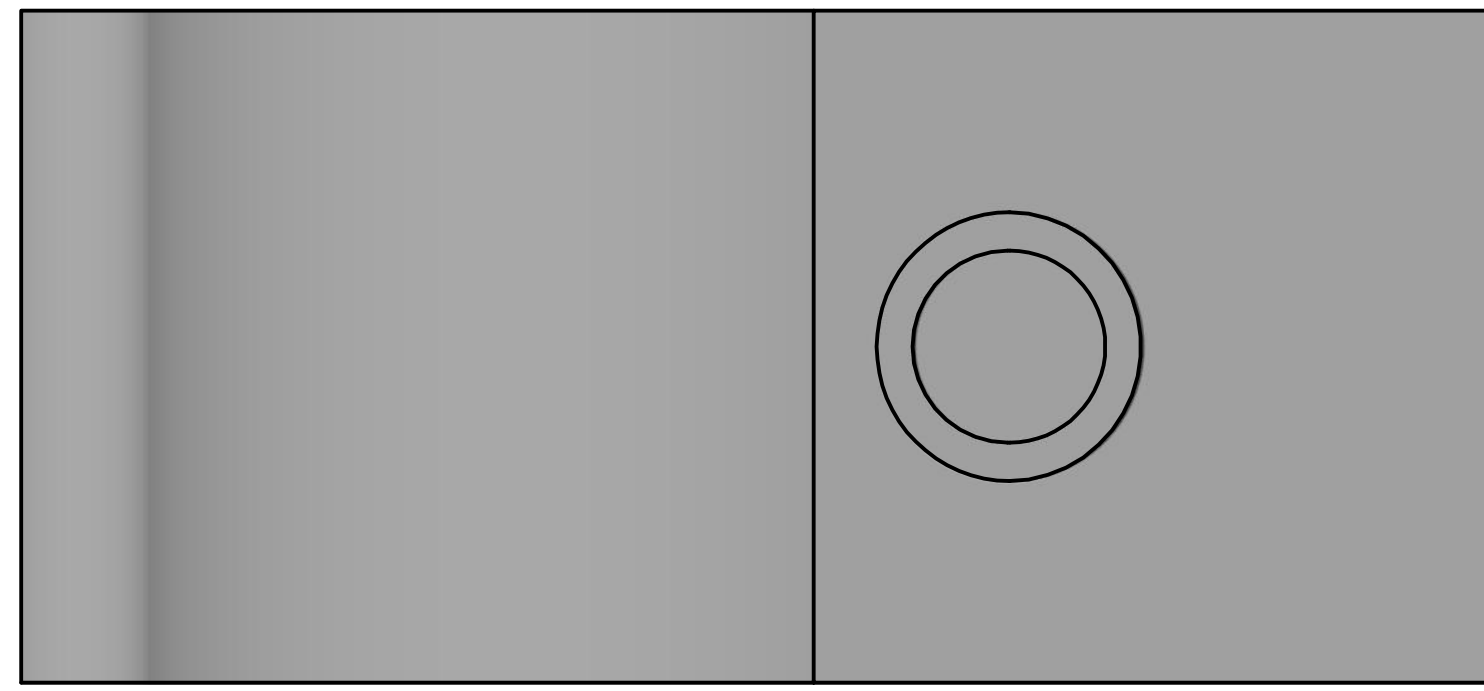
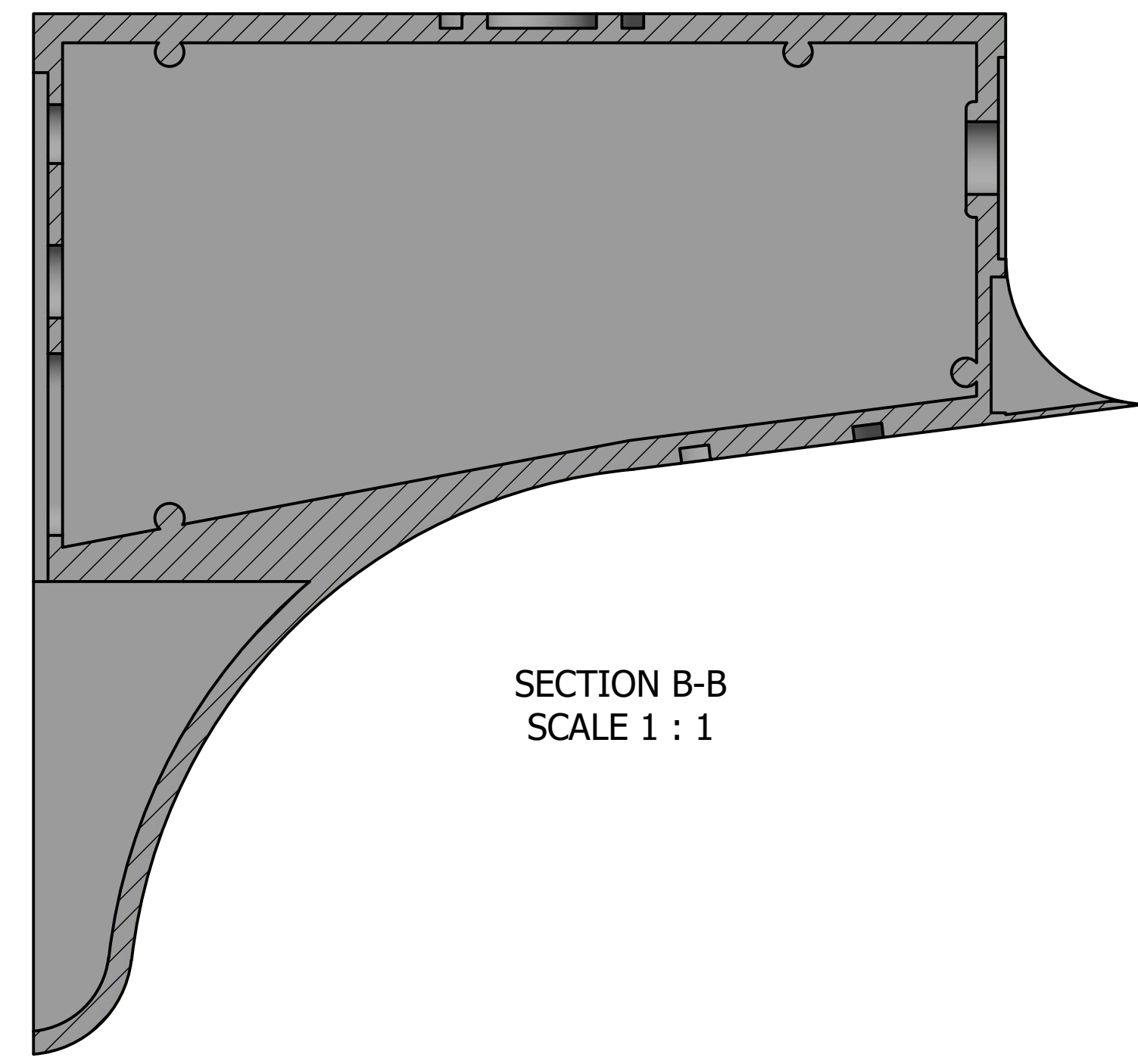
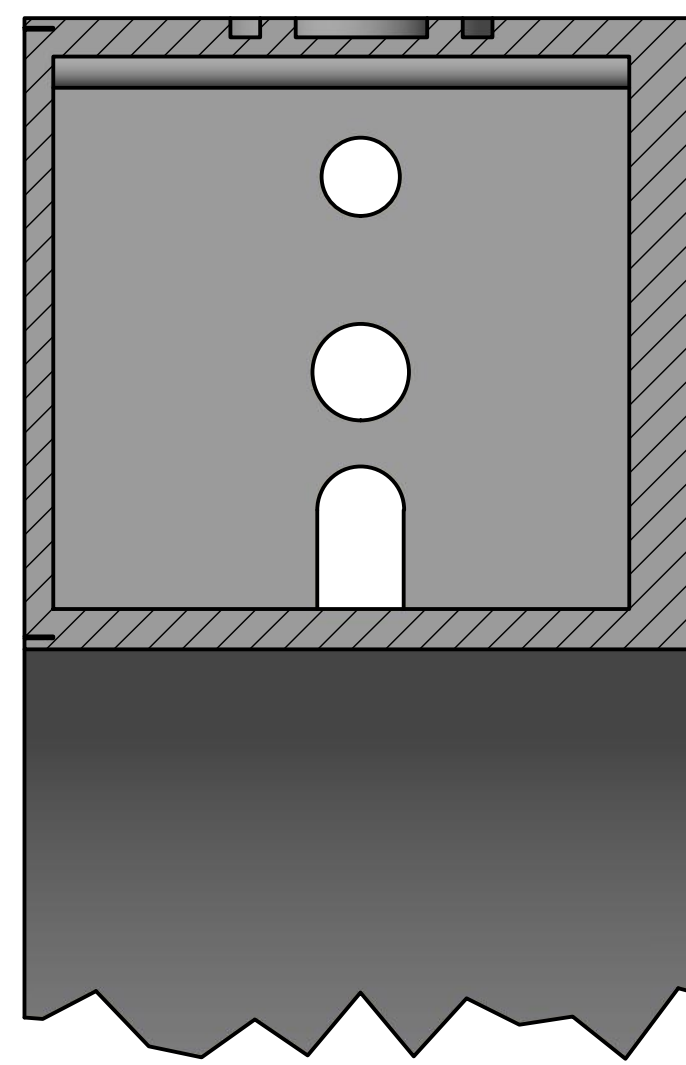
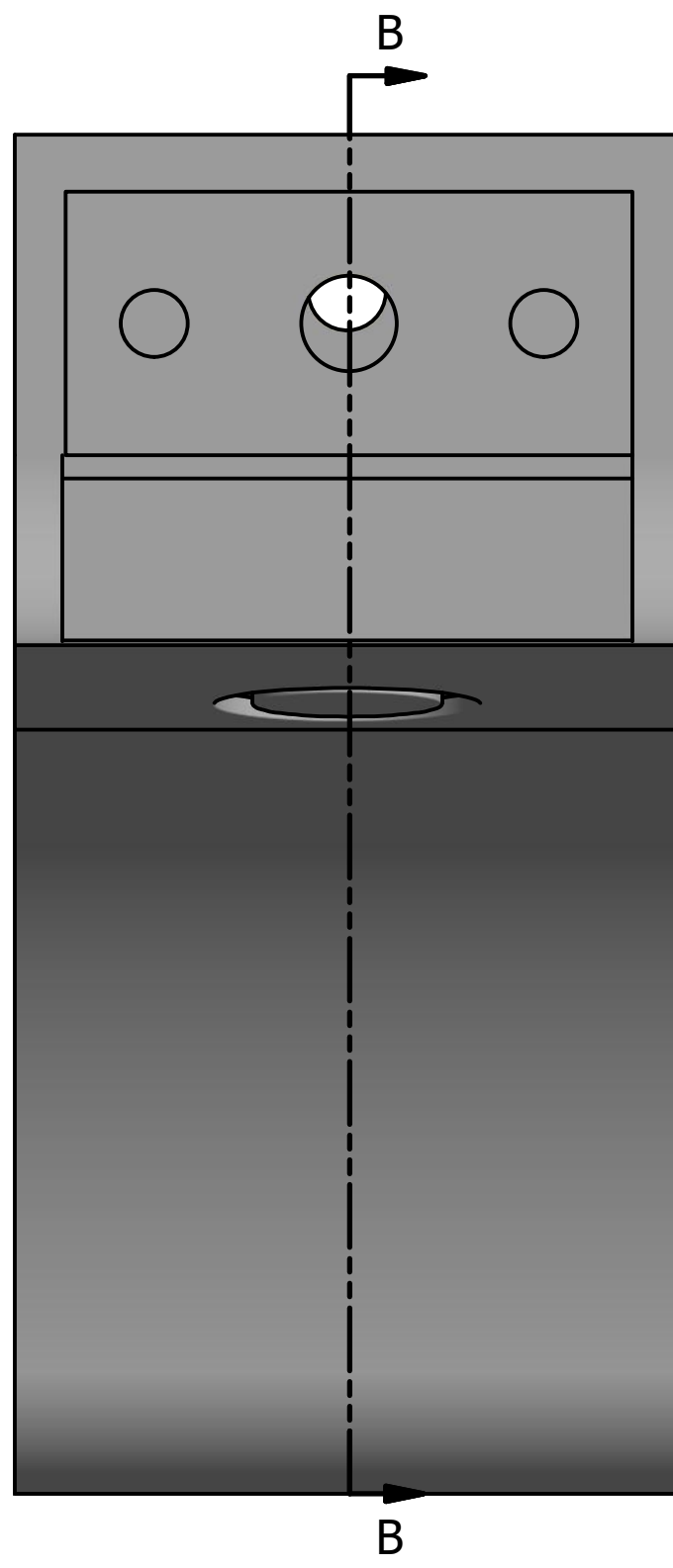
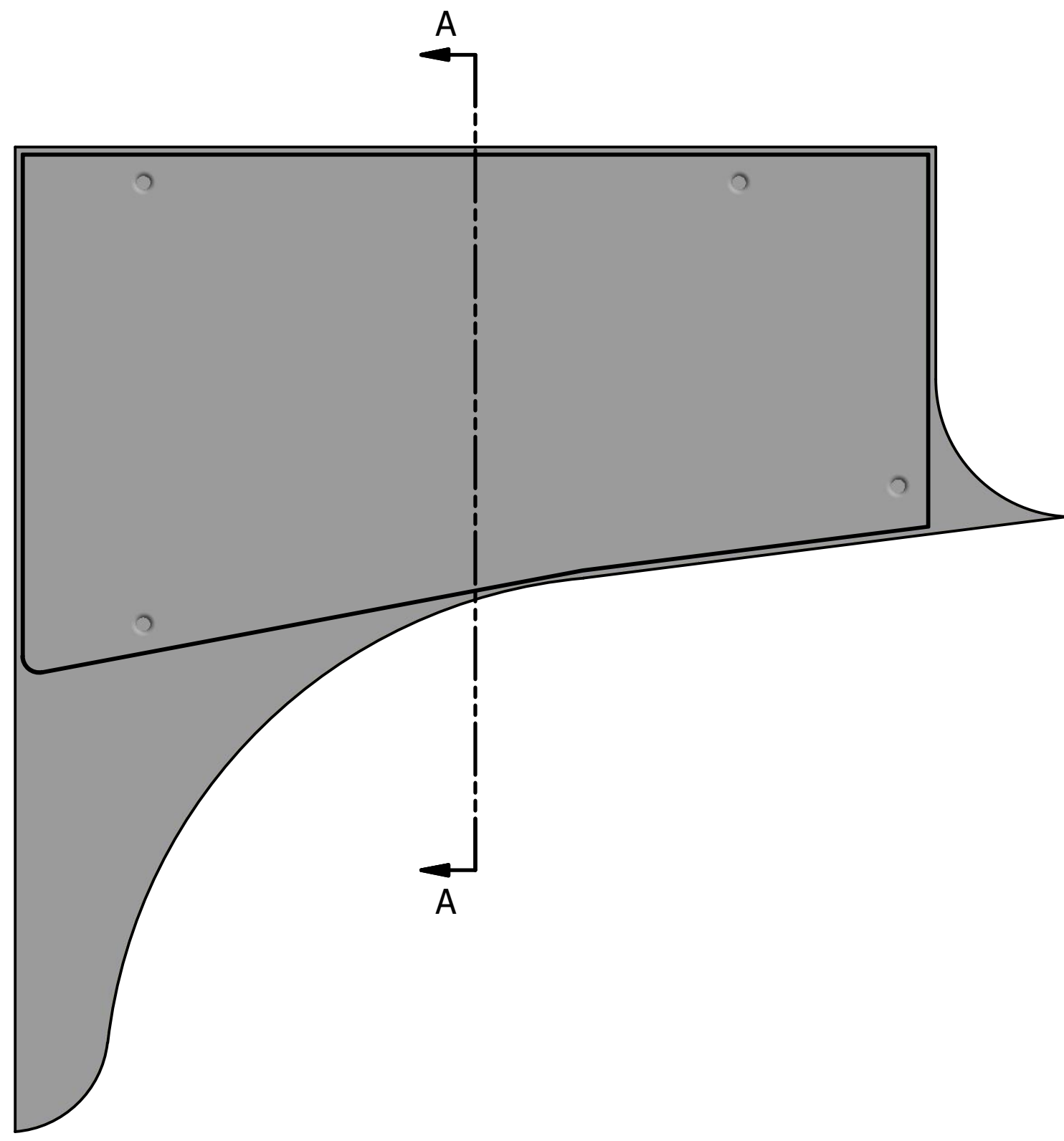


8 | 7 | 6 | 5 | 4 | 3 | 2 | 1



**WESTGATE**  
THE FUTURE IS HERE...AND IT'S QUITE BRIGHT!

**DRAWN BY**  
**KJ**

**CHECKED BY**  
**DAVID**

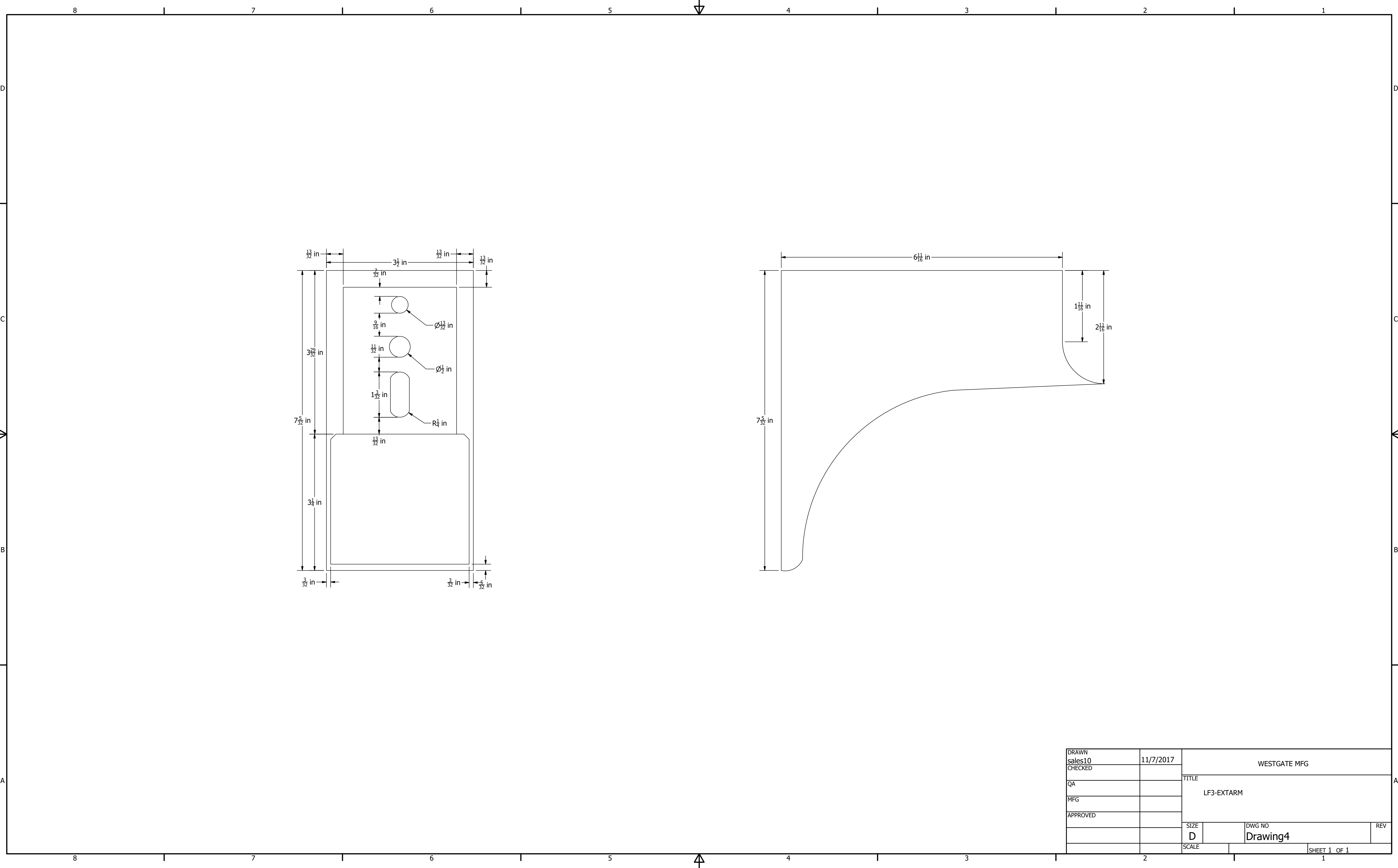
**FL3-EXTARM**

**SCALE: 1:1**

8 | 7 | 6 | 5 | 4 | 3 | 2 | 1

D  
C  
B  
A

D  
C  
B  
A



DRAWN	sales10	11/7/2017	WESTGATE MFG	
CHECKED			TITLE	
QA			LF3-EXTARM	
MFG				
APPROVED				
			SIZE	DWG NO
			D	Drawing4
			SCALE	REV
				SHEET 1 OF 1