

# LF3 SERIES Outdoor Lighting

LF3-50WW-KN  
LF3-50NW-KN  
LF3-50CW-KN



### Selection:

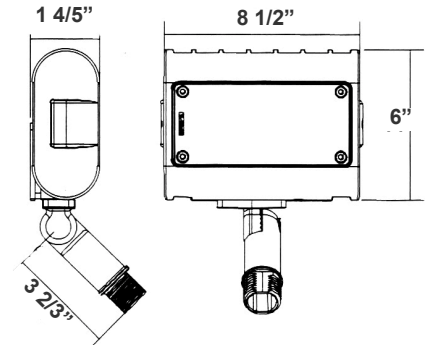


Customer Name: \_\_\_\_\_

Project Name: \_\_\_\_\_

Note: \_\_\_\_\_

Type: \_\_\_\_\_



8-1/2" (W) x 6" (H) x 1-4/5" (D) x 3-2/3" (K)

Ideal for general site lighting, alleys, loading docks, doorways, pathways, parking areas. Replace existing HID flood lights/wall packs. Great for use with motion sensors or another instant on/off controls. Solid-state lighting technology for long life, low maintenance, and high efficiency.

## Features

- DLC Premium & LED High-Lumen Floor lights
- LF3 Flood Light Series With 1/2" Knuckle
- 70,000 Hours Rated Life
- 7-Year Warranty
- Optic Lens Type: II

## Technical Specifications

### Electrical:

- Voltage: 100-277VAC 50/60Hz
- Wattage: 50W
- Output voltage: 36-60VDC
- Power factor: >0.9
- Output Current: 0.25A
- Driver Efficiency: 88%

### Lighting:

- LED: Lumileds Lexteon 3030 high flux LED
- Cord type: 13" #18 AWG stranded wires
- Total lumens: 6100LM
- Color temperature: 3000K/ 4000K/ 5000K
- Color rendering index: CRI ≥ 82
- Beam Angle: 120°x90°

### Mechanical:

- Die-cast Aluminum Housing with Powder Coat Finish (Dark Bronze and White Finish)
- Solid State Lighting technology for long life, no Maintenance needed and High-Efficiency
- High Conductive Aluminum LED Board
- IP Rating: IP65
- Operating Temperature: -40°F to 104°F
- Suitable for Wet Locations

### Applications:

- Ideal for general site lighting, alleys, loading docks, doorway, pathway and parking areas.
- Replace existing HID flood lights/ wall packs
- Great for use with motion sensors or other instant on/off controls

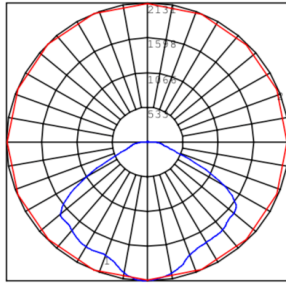
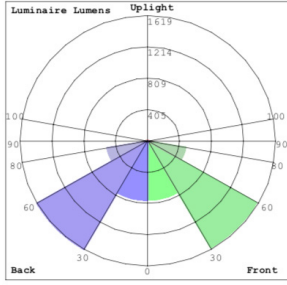
### Other Models:

- 15W | 1700LM | LF3-15WW-KN
- 15W | 1700LM | LF3-15NW-KN
- 15W | 1700LM | LF3-15CW-KN
- 30W | 3600LM | LF3-30WW-KN
- 30W | 3600LM | LF3-30NW-KN
- 30W | 3600LM | LF3-30CW-KN

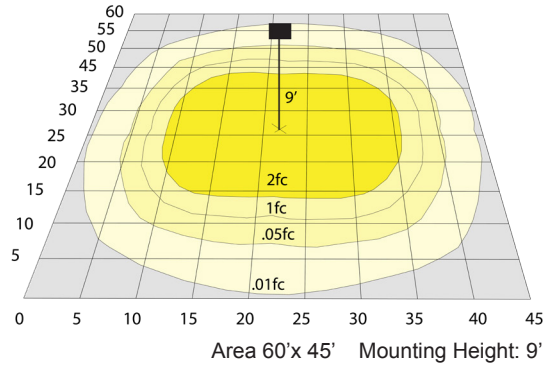


# Photometrics: LF3-50W

TYPE II



BUD Rating: B2-U2-G2



## Other Views:



Front View



Side View



Back View

## Performance Table: LF3-50W

MODEL NO.	Wattage	Voltage	Lumens	Color Temp.	BUG Rating	LPW
LF3-50WW	50W	120~277V	6100LM	3000K	B2-U1-G2	122
LF3-50NW	50W	120~277V	6100LM	4000K	B2-U1-G2	122
LF3-50CW	50W	120~277V	6100LM	5000K	B2-U1-G2	122

## Sample Ordering

Model      Wattage      Color Temp.

LF3 - 50 -      - KN

WW = 3000K  
NW = 4000K  
CW = 5000K

## Accessories Options

Blank = No Option For Accessories

WRC-3-BRZ = Weatherproof cover with three(3) 1/2" hubs

LA-90-BZ = Fixture mounting 90° elbow Attachment

LF3-SH2 = Shroud for LF3 50W Reversible

LF3-SH2FG = Full-Glare Shroud for LF3 50W

## Example:

- 1.LF3-50WW-KN
- 2.LF3-50WW-KN
- LF3-SH12

(For LF3 50W 3000K fixture 120-277V)  
(For LF3 50W 3000K fixture 120-277V)  
(Shroud for LF3 50W)

## ACCESSORIES AND MOUNTING OPTIONS



WRC-3-BRZ  
Weatherproof cover with  
Three  
(3) 1/2" hubs



LA-90-BZ  
Fixture mounting 90°  
elbow Attachment



B-41



Mounts to landscape  
post  
or any 1/2" hub



Fully adjustable 1/2"  
threaded knuckle for aiming  
versatility



LF3-SH2  
Shroud (Reversible)



LF3-SH2FG  
Full-Glare Shroud

