

# LESW SERIES Outdoor Lighting

LED SMALL NON-CUTOFF WALL PACK WITH PHOTOCELL

LESW-8-15W-MCTP-P

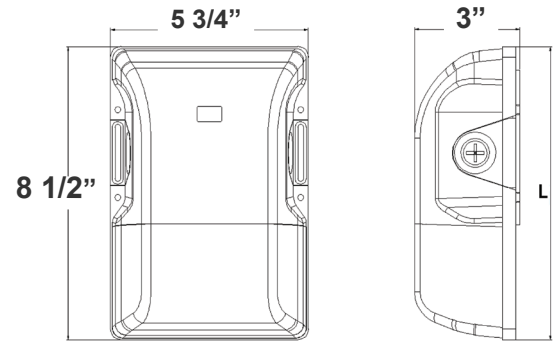


Customer Name: \_\_\_\_\_

Project Name: \_\_\_\_\_

Note: \_\_\_\_\_

Type: \_\_\_\_\_



8 1/2" (L) x 5 3/4" (W) x 3" (D)

LED Non-Cutoff Wall Pack with Photocell is ideal for general site lighting, loading docks, doorway, pathway and parking areas.

## Features

- Back plate: Die-cast aluminum
- Multi-Power (The switch is inside the fixture)
- Polycarbonate Housing & Lens
- 7-Year Warranty

## Technical Specifications

### Electrical:

- Voltage: 120-277V AC 60Hz
- Wattage: 8W/12W/15W
- Power Factor: >0.90
- Efficacy: 135LPW
- Includes Pre-wired Photo Electric Control (Dusk to Dawn Photocell), 120 Volt, Removable
- Photocell Response Time: Maximum 3 Seconds

### Mechanical:

- Back plate: Die-cast aluminum
- Polycarbonate Housing & Lens
- Non-Cutoff Optics Ideal for Maximum Light Distribution
- Operating Temperature: -40°F to +113°F
- Wet Location
- 7-Year Warranty
- IP65

### Lighting:

- Dimming: 0-10V Dimming
- LED Type/Brand: 2835LUMILEDS
- Front: Polycarbonate Lens and Housing
- Multi-Power (The switch is inside the fixture)
- Total Lumens: 1080LM/1650LM/2025LM
- Color Temperatures: 3000K/4000K/5000K
- Color Rendering Index: CRI ≥ 70
- Beam Angle: 100°
- Rated life: 70,000 Hrs

### Applications:

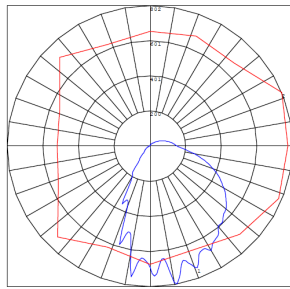
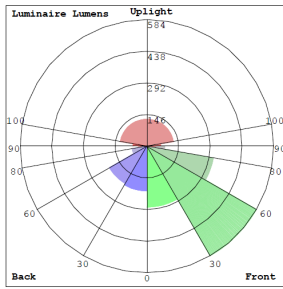
- Entrance lighting, courtyard lighting;
- Industrial lighting, Outdoor landscape lighting;
- Building, The hotel;
- Wall lighting area and so on

### Other Models:

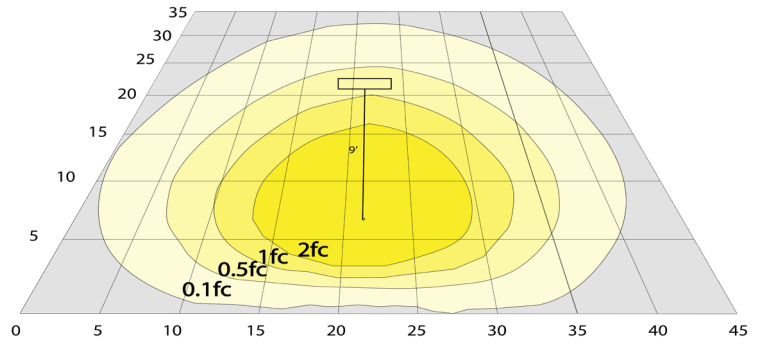
- 15W | 2025LM | LESW-8-15W-MCTP-P-WH



## Photometrics: LESW-8-15W-MCTP-P



BUD Rating: B1-U3-G1

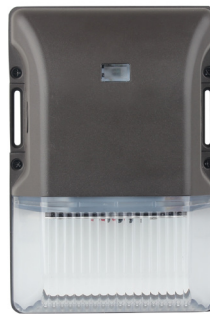


30W 5000K, Area 35'x 45' Mounting Height: 9'

## Other Views:



Side View



Front View



Back View

## Performance Table: LESW-8-15W-MCTP-P

MODEL NO.	Wattage	Voltage	Lumens	Color Temp.	BUG Rating	LPW
LESW-8-15W-MCTP-P	8W	120-277V	1080LM	3000K 4000K 5000K	B1-U3-G1	135
	12W		1650LM			
	15W		2025LM			

## Sample Ordering

Model	Min.	Max.	Wattage	Color Temp.	Sensor			
LESW	-	8	-	15W	-	MCTP	-	P

## Factory-Installed Options:

Blank = No Option For Accessories  
 OPT-EM-LSW = INTERNAL EMERGENCY BATTERY BACK UP  
 OPT-TRS-T20 = TAMPER RESISTANT SCREW  
 OPT-NOPC = REMOVE PHOTOCELL  
 OPT-SEN-SLPIR = EXTERNAL SECURITY LIGHT TYPE PIR MOTION SENSOR

## FACTORY-INSTALLED OPTIONS:



OPT-SEN-SLPIR



OPT-EM-LSW

