

# LESW SERIES Outdoor Lighting

LED SMALL NON-CUTOFF WALL PACK WITH PHOTOCELL

LESW-15-30W-MCTP-P-WH

**WESTGATE**  
THE FUTURE IS HERE...AND IT'S QUITE BRIGHT!

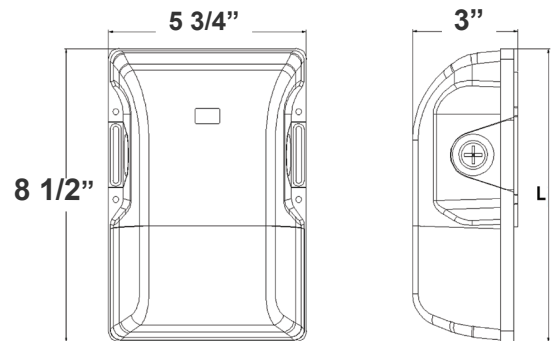


Customer Name: \_\_\_\_\_

Project Name: \_\_\_\_\_

Note: \_\_\_\_\_

Type: \_\_\_\_\_



8 1/2" (L) x 5 3/4" (W) x 3" (D)

LED Non-Cutoff Wall Pack with Photocell is ideal for general site lighting, loading docks, doorway, pathway and parking areas.

## Features

- Back plate: Die-cast aluminum
- Multi-Power (The switch is inside the fixture)
- Polycarbonate Housing & Lens
- 7-Year Warranty

## Technical Specifications

### Electrical:

- Voltage: 120-277V AC 60Hz
- Wattage: 15W / 20W / 30W
- Power Factor: >0.90
- Efficacy: 135/ 147/ 137LPW
- Includes Pre-wired Photo Electric Control (Dusk to Dawn Photocell), 120 Volt, Removable
- Photocell Response Time: Maximum 3 Seconds

### Mechanical:

- Back plate: Die-cast aluminum
- Polycarbonate Housing & Lens
- Non-Cutoff Optics Ideal for Maximum Light Distribution
- Operating Temperature: -4°F to +113°F
- Wet Location
- 7-Year Warranty
- IP65

### Lighting:

- Dimming: 0-10V Dimming
- LED Type/Brand: 2835LUMILEDS
- Front: Polycarbonate Lens and Housing
- Multi-Power (The switch is inside the fixture)
- Total Lumens: 4050LM/ 4410LM/ 4110LM
- Color Temperatures: 3000K/ 4000K/ 5000K
- Color Rendering Index: CRI ≥ 70
- Beam Angle: 100°
- Rated life: 70,000 Hrs

### Applications:

- Entrance lighting, courtyard lighting;
- Industrial lighting, Outdoor landscape lighting;
- Building, The hotel;
- Wall lighting area and so on

### Other Models:

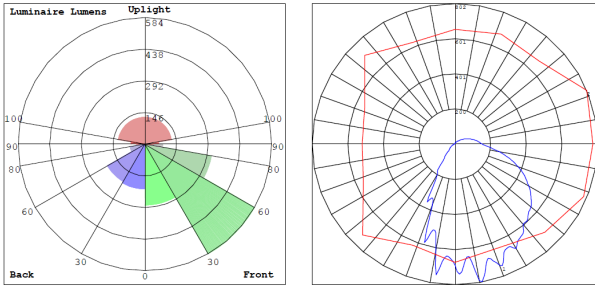
- 30W | 4110LM | LESW-15-30W-MCTP-P



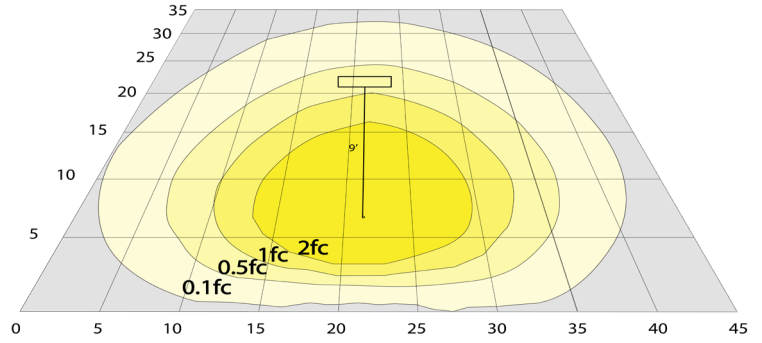
Phone: (877) 805-2252 | Fax: (877) 805-2252  
www.westgatemfg.com



**Photometrics:** LESW-15-30W-MCTP-P-WH



BUD Rating: B1-U3-G1



30W 5000K, Area 35'x 45' Mounting Height: 9'

**Other Views:**



Side View



Front View



Back View

**Performance Table:** LESW-15-30W-MCTP-P-WH

MODEL NO.	Wattage	Voltage	Lumens	Color Temp.	BUG Rating	LPW
LESW-15-30W-MCTP-P-WH	15W	120-277V	2025LM	3000K 4000K 5000K	B1-U3-G1	135
	20W		2700LM			
	30W		4050LM			

**Sample Ordering**

Model	Min.	Max.	Wattage	Color Temp.	Sensor	Housing			
LESW	-	15	-	30W	-	MCTP	-	P	WH

**Factory-Installed Options:**

- Blank = No Option For Accessories
- OPT-EM-LSW-WH = INTERNAL EMERGENCY BATTERY BACK UP
- OPT-TRS-T20 = TAMPER RESISTANT SCREW
- OPT-NOPC = REMOVE PHOTOCELL
- OPT-SEN-SLPIR-WH = EXTERNAL SECURITY LIGHT TYPE PIR MOTION SENSOR

**FACTORY-INSTALLED OPTIONS:**



OPT-SEN-SLPIR-WH



OPT-EM-LSW-WH

**Example:**

- LESW-15-30W-MCTP-P-WH (FOR LESW 30W MCTP FIXTURE 120-277V)
- LESW-15-30W-MCTP-P-WH OPT-NOPC (FOR LESW 30W MCTP FIXTURE 120-277V) (REMOVE PHOTOCELL)

