



## LEDTFX-2 LEDTFX-2-B

### WET LOCATION LED EMERGENCY LIGHT WITH REMORT CAPABILITY

#### ELECTRICAL SPECIFICATIONS:

- Voltage: Dual 120-277V
- Wattage: 1.5w Per Head

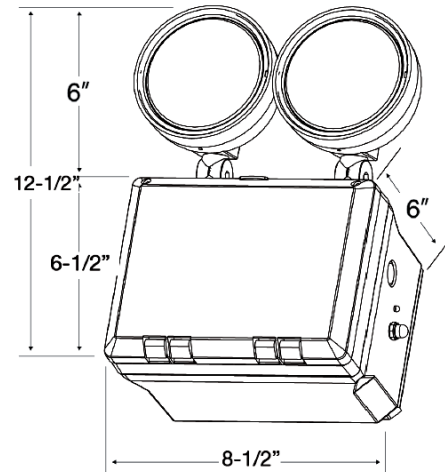
#### HOUSING SPECIFICATIONS:

- High-impact thermo-plastic housing
- Two fully adjustable LED heads
- External wall mounting bracket built into housing
- Mounting accessories included
- Wet location listed with seamless silicon gaskets

#### CERTIFICATIONS: UL



#### DIMENSIONS:



MODEL	WATTS	VOLTAGE	HOUSING	BATTERY
LEDTFX-2	1.5w Per Head	Dual 120-277V	Gray	9.6 Ni-Cad
LEDTFX-2-B	1.5w Per Head	Dual 120-277V	Black	9.6 Ni-Cad

#### TECHNICAL SPECIFICATIONS:

- Integral breather vent and sealed test switch
- 90-minute rated with push style test switch and red indicator light

#### WARRANTY: 3 years

- Meets UL924, NFPA life safety code

