

LEDDR SERIES RIBBON

LEDDR-24V-288W-UNIV

5-IN-1 DIMMABLE ELECTRONIC LED DRIVER WITH JUNCTION BOX

WESTGATE
THE FUTURE IS HERE...AND IT'S QUITE BRIGHT!

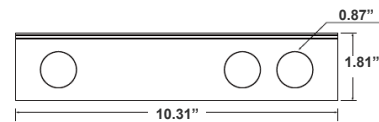
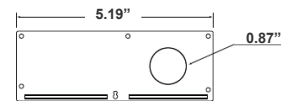
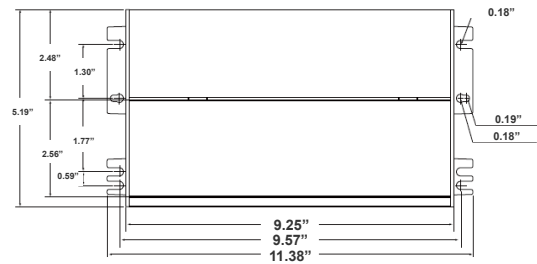


Customer Name: _____

Project Name: _____

Note: _____

Type: _____



5.19"(H) x 11.38"(W) x 1.81"(D)

A 5-in-1 dimmable electronic LED driver with a junction box is a versatile power supply device used for LED lighting systems. It typically offers multiple dimming options, such as TRIAC, 0-10V, MLV, ELV, and PWM dimming, allowing flexibility in controlling the brightness of LED lights. These drivers are often designed to provide constant voltage output, ensuring stable and efficient operation of LED fixtures. Additionally, they may feature a junction box for easier installation and wiring connections.

Features

- Output Constant Voltage
- UL, cUL Listed, Class 2 Unit, Type HL Rated. FCC
- Universal AC Input: 100-277VAC
- Built-in Active PFC Function
- High Efficiency: Up To 85%
- Load: 10-100%
- Protection: Short Circuit/Overloading
- Suitable for LED lighting and moving sign applications
- PWM Output Does Not Change The Color Index
- Full Protection Metal Case, For Dry, Damp, Wet Location
- Flicker-Free
- Phase Dimming: Work With Forward Phase /Leading Edge, MLV And Reverse Phase /Trailing Edge, ELV, TRIAC Dimmers
- 0-10V Dimming: 0-10V/1-10V/Potentiometer/10V PWM 4 in 1
- Dimming Range: 0-100%

Technical Specifications

Output:

- Voltage: 120-277V
- Output Voltage: 24V DC
- Output Voltage Range: 24V DC \pm 0.5V DC
- Output Current: 3x4A Max
- Output Power: 288W
- Output Ripple & Noise: \leq 600mV

Input:

- Input Voltage Range: 100V AC - 277V AC
- Input Frequency Range: 50-60HZ
- Input Current: 3.2A@110VAC
- Surge Current (Cold Start): 20A, 50%, 1.6ms @120Vac / 25A, 50%, 1.4ms @277Vac
- Power Efficiency: 85% @ 220V AC
- PF: 0.95
- Leakage Current: <0.75mA

Protection:

- Short-Circuit Protection: Hiccup Mode, and Automatic Recovery
- Over-Voltage Protection: Shut Down the Output When Non-Load Voltage is \geq 28V, and Automatic Recovery

Environment:

- Working Temperature: -22°F to 140°F
- Working Humidity: 20%-90%RH
- Approved Environments Location: Suitable for Dry, Damp, and Wet locations
- Storage Temperature: -40°F to 176°F
- Storage Humidity: 10% - 95%RH
- Vibration: 10~500Hz, 1.0mm, 15 minutes(for X,Y, Z Each Axis)
- Tcase: 194°F



Phone: (877) 805-2252 | Fax: (877) 805-2252
www.westgatemfg.com



WG-03312022

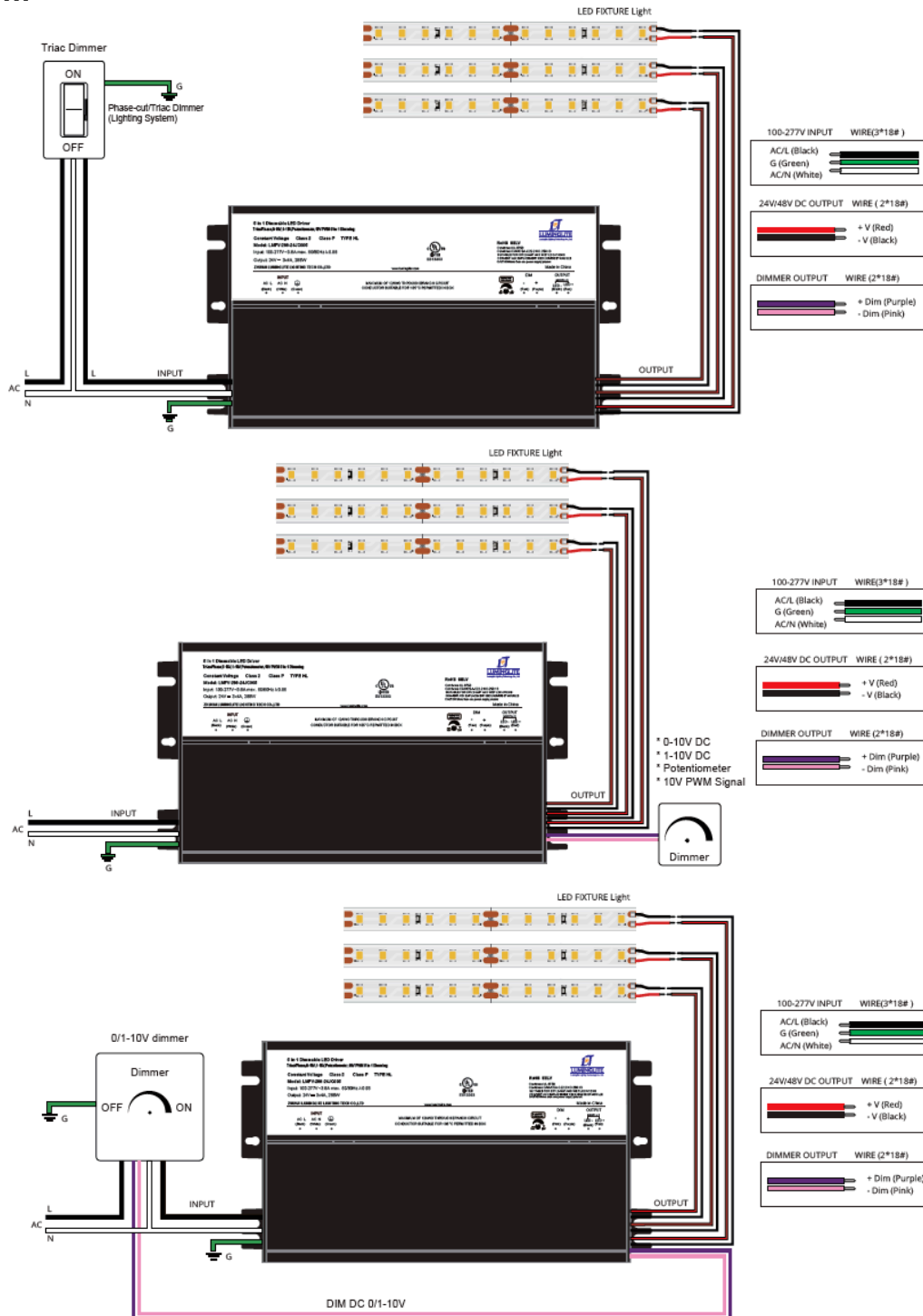
Safety & EMC:

- Safety Standard: UL8750
- Dielectric Strength (Hi-Pot): I/P-O/P (1.88KVAC) / I/P-Case (1.88KVAC)
- Insulation Resistance: 100MΩ/500VDC/77°F/70%RH
- Grounding Resistance: ≤ 0.5Ω
- EMC: Design Reference FCC Part 15 B

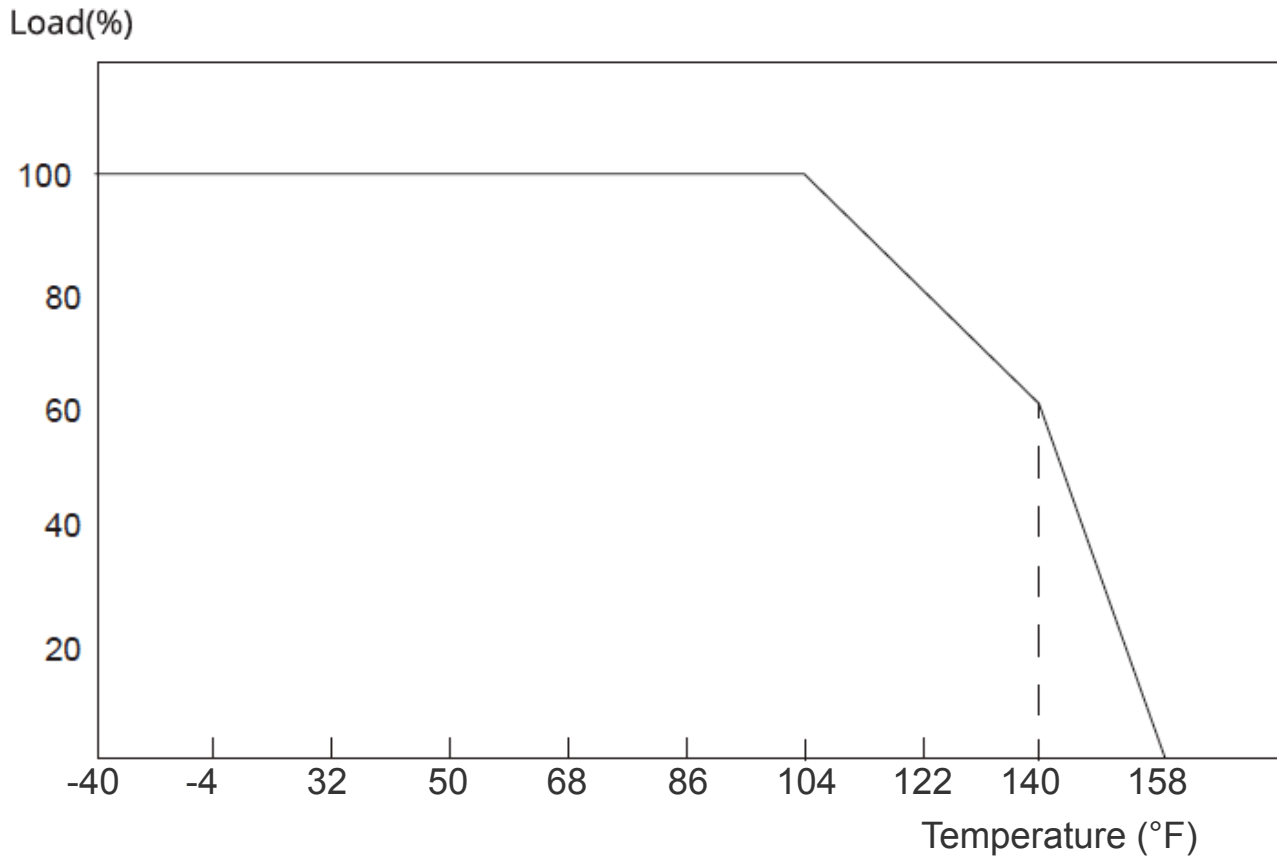
Others:

- MTBF: 50Khrs. MIL-HDBK-217F(77°F)
- Dimmer Compatibility: MLV/Triac Dimmer LUTRON(DVLV-600P, DVCL-153P.PD-5NE)
- Minimum load available for Dimming (Use DVCL-153P): 5%
- Weight: 1.5LB

Wiring Diagram:



Derating Curve:



Attentions:

- Please make sure that the ground wire is properly grounded and make sure it does not come into contact with the neutral wire.
- Please install the power supply in a well-ventilated place to ensure the environment temperature is appropriate.
- Refrain from overloading the power supply with multiple appliances.
- Please do not touch the metal shell surface to avoid high-temperature scald.
- Do not install in the minefield or high-pressure area.
- Please don't try to repair it privately. Please get in touch with the supplier if you have any questions.

Tips:

- To be installed by a certified electrician. Please read and follow the instructions carefully before installing. Ensure all contact points are connected firmly.
- Please pay attention to the environment and conduct regular checks and maintenance to eliminate safety risks.

