

# LDSL SERIES Outdoor Lighting

LDSL-MCT-D-SIL



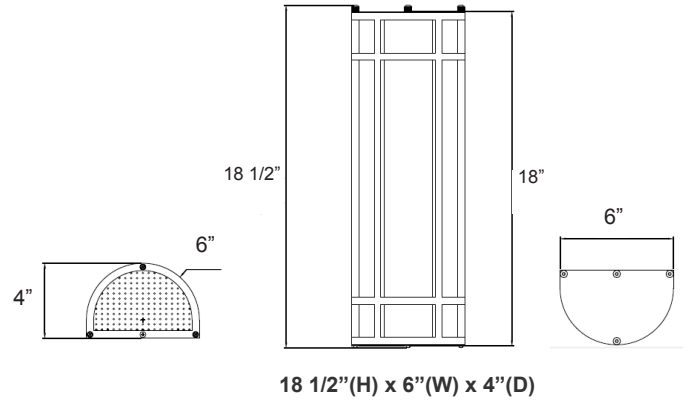
Wall sconce fixture updated with the latest in LED technology. It provides accent illumination that visually expands the space and creates a relaxing atmosphere. Ideal for use in hallways, stairways, dining areas, foyers, and meeting rooms for residential and commercial applications. The long LED life, coupled with exceptional color rendering, make this fixture attractive for new or retrofit projects.

Customer Name: \_\_\_\_\_

Project Name: \_\_\_\_\_

Note: \_\_\_\_\_

Type: \_\_\_\_\_



## Features

- High-Transmission Frosted Plastic Lens with Excellent Distribution and Uniformity
- Direct replacement for Fluorescent
- Full distribution LED luminaries
- 70,000 Hours Rated Life
- 7-Year Warranty

## Technical Specifications

### Electrical:

- Voltage: 120~277VAC/50~60 Hz
- Wattage: 20W
- Power factor: >0.9
- Efficacy: 75 LPW

### Mechanical:

- Die-cast Aluminum Housing with Powder Coat Finish (Silver)
- High-Transmission Frosted Plastic Lens with Excellent Distribution and Uniformity
- Direct replacement for Fluorescent
- Full distribution LED luminaries
- IP Rating: IP65
- Operating Temperature: -4°F to 113°F
- Suitable for Wet Locations
- 7-Year Warranty

### Lighting:

- Dimming: Dimming: 0~10V Dimmable
- Multi CCT: Selectable CCTs Switch located on the LED Board
- Total Lumens: 1500LM
- Color Temperature: 3000K/ 4000K/ 5000K
- Color Rendering Index:  $\geq 80$
- Beam Angle: 120°
- 70,000 Hours Rated Life

### Applications:

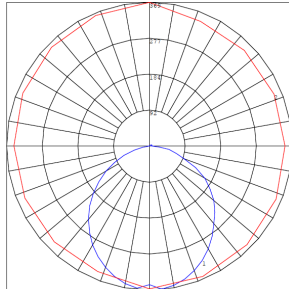
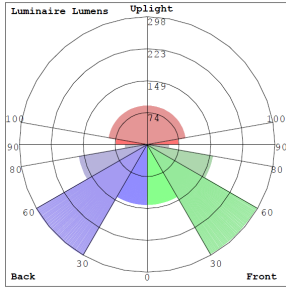
- Motel, Hotels, Hospitals, hallways, stairways, dining areas, foyers, and meeting rooms

### Other Models:

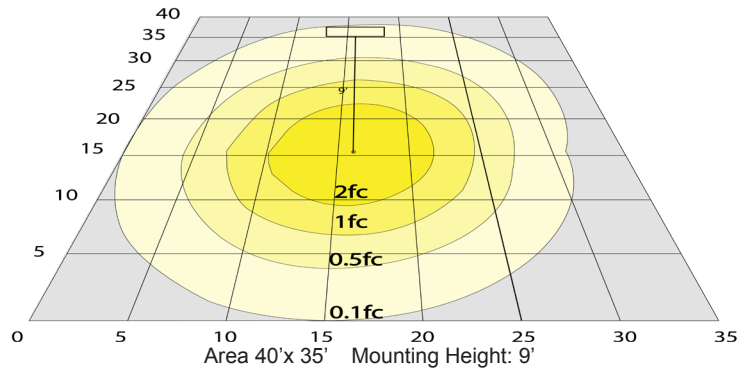
- 20W | 1500LM | LDSL-MCT-D-BZ



## Photometrics: LDSL-MCT-D-SIL



BUG Rating: B1-U3-G1



## Other Views:



Side View



Front View



Back View

## Performance Table: LDSL-MCT-D-SIL

MODEL NO.	Wattage	Voltage	Lumens	Color Temp.	BUG Rating	LPW
LDSL-MCT-D-SIL	20W	120~277V	1500LM	3000K 4000K 5000K	B1-U3-G1	75

## Sample Ordering

Model Color Temp. Dimming Housing

LDSL - MCT - D - SIL

## Factory-Installed Option:

Blank = No Option For Accessories

OPT-EM-LSW = EMERGENCY BATTERY BACKUP OPTION

## FACTORY-INSTALLED OPTION:



OPT-EM-LSW  
EMERGENCY BATTERY BACKUP  
OPTION

## Example:

1.LDSL-MCT-D-SIL

(For LDSL 20W MCT FIXTURE 120~277V)

2.LDSL-MCT-D-SIL  
OPT-EM-LSW

(For LDSL 20W MCT FIXTURE 120~277V)  
(EMERGENCY BATTERY BACKUP OPTION)

