

LDSC SERIES Outdoor Lighting

LDSC-18-MCTP-DD-BK
18" OUTDOOR/INDOOR LED DECORATIVE WALL SCNCE,

MCTP Multi Color Temperature & Multi Power/Wattage (Selectable)

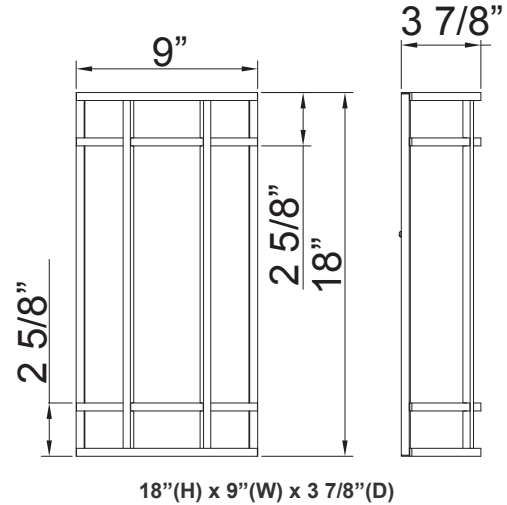


Wall sconce fixture updated with the latest in LED technology. It provides accent illumination that visually expands the space and creates a relaxing atmosphere. Ideal for use in hallways, stairways, dining areas, foyers, and meeting rooms for residential and commercial applications. The long LED life, coupled with exceptional color rendering, make this fixture attractive for new or retrofit projects.

Customer Name: _____

Project Name: _____

Note: _____ Type: _____



Features

- High-Transmission Frosted Plastic Lens with Excellent Distribution and Uniformity
- Direct replacement for Fluorescent
- Full distribution LED luminaries
- 70,000 Hours Rated Life
- 7-Year Warranty

Technical Specifications

Electrical:

- Voltage: 120-277V
- Wattage: 15W/20W/25W
- Power Factor: >0.9
- Efficacy: 80 LPW

Mechanical:

- Die-Cast Aluminum Housing With Powder Coat Finish
- High-Transmission Frosted Plastic Lens With Excellent Distribution and Uniformity
- Direct Replacement For Fluorescent
- Full Distribution LED luminaries
- IP Rating: IP65
- Operating Temperature: -4°F to 113°F
- Suitable For Wet Locations

Lighting:

- Dimming: (Dual Function) Triac Dimmable at 120V & 0-10V Dimming at 120-277V
- Multi CCT: Selectable CCTs Switch Located On The LED Board
- Total Lumens: 2000LM
- Color Temperature: 3000K/4000K/5000K
- Color Rendering Index: ≥ 80
- Beam Angle: 120°

Applications:

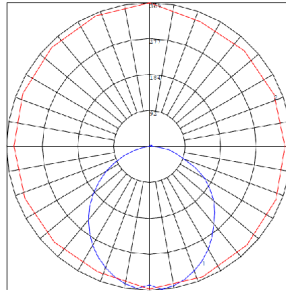
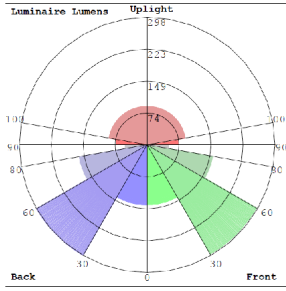
- Motel, Hotels, Hospitals, hallways, stairways, dining areas, foyers, and meeting rooms

Other Models:

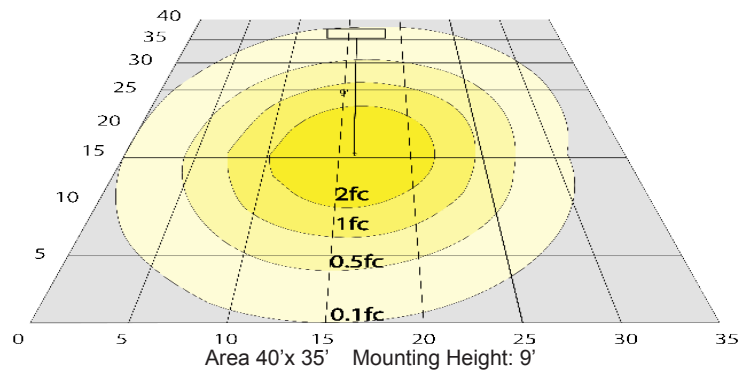
- 25W | 2000LM | LDSC-18-MCTP-DD-SIL
- 25W | 2000LM | LDSC-18-MCTP-DD-ORB



Photometrics: LDSC-18-MCTP-DD-BK



BUG Rating: B1-U3-G1



Other Views:



Back View



Front View



Bottom View

Performance Table: LDSC-18-MCTP-DD-ORB

MODEL NO.	Wattage	Voltage	Lumens	Color Temp.	BUG Rating	LPW
LDSC-18-MCTP-DD-ORB	15W	120V	1200LM	3000K	B1-U3-G1	80
	20W		1600LM	4000K		
	25W		2000LM	5000K		

Sample Ordering

Model Size Color Temp. Dimming Housing

LDSC - 18 - MCTP - DD - ORB

Factory-Installed Option:

Blank = No Option For Accessories
 OPT-EM-LSW = EMERGENCY BATTERY BACKUP OPTION
 OPT-SEN-LDS-BR = PROGRAMMABLE MICROWAVE BI-LEVEL
 WEC-8RC = OPTIONAL REMOTE

FACTORY-INSTALLED OPTION:



OPT-EM-LSW



OPT-SEN-LDS-BR



WEC-8RC

