

LDS SERIES

OUTDOOR LIGHTING

WESTGATE
THE FUTURE IS HERE...AND IT'S QUITE BRIGHT!

LDS-MCT5-DT-SIL

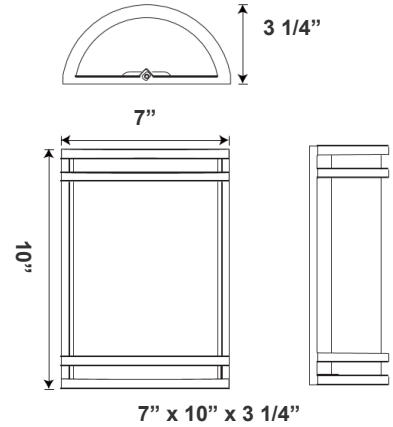


Customer Name: _____

Project Name: _____

Note: _____

Type: _____



Ideal for Hallways, bedrooms, laundry rooms, bathrooms, alleys,
Loading docks, doorway, pathway

Features

- Multi CCT (Selectable Switch on the LED Board)
- Direct Replacement for Fluorescent
- 7-Year Warranty
- Housing: Steel base with Die-cast Rings
- High-Transmission Frosted Plastic Lens With Excellent Distribution and Uniformity

Technical Specifications

Electrical:

- Voltage: 120V AC 50/60Hz
- Output Voltage: 36VDC
- Power Factor: >0.90
- Wattage: 15W
- Efficacy: 100 LPW
- Total Harmonic Distortion: $\leq 15\%$

Mechanical:

- Silver Finish
- Housing: Steel base with Die-cast Rings
- High-Transmission Frosted Plastic Lens With Excellent Distribution and Uniformity
- Maximum Ambient Temperature: 50~113°F
- Rated life: 50,000 Hrs
- Wet Location

Lighting:

- Dimming: TRIAC Dimming (Using Standard TRIAC LED Dimmers)
- Total Lumens: 1500LM
- Color Temperatures: 2700K/3000K/3500K/4000K/5000K
- Multi CCT (Selectable Switch on the LED Board)
- Color Rendering Index: CRI ≥ 80
- Beam Angle: 120°

Applications:

- Hallways, bedrooms, laundry rooms, bathrooms, alleys, Loading docks, doorway, pathway.

Other Models:

- 15W | 1500LM | LDS-MCT5-DT-ORB

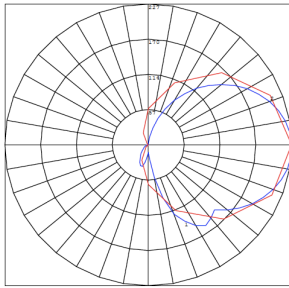
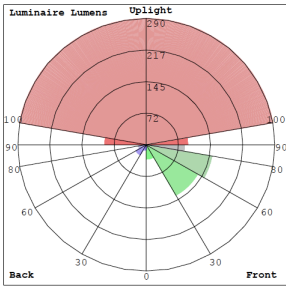


Phone: (877) 805-2252 | Fax: (877) 805-2252
www.westgatemfg.com |

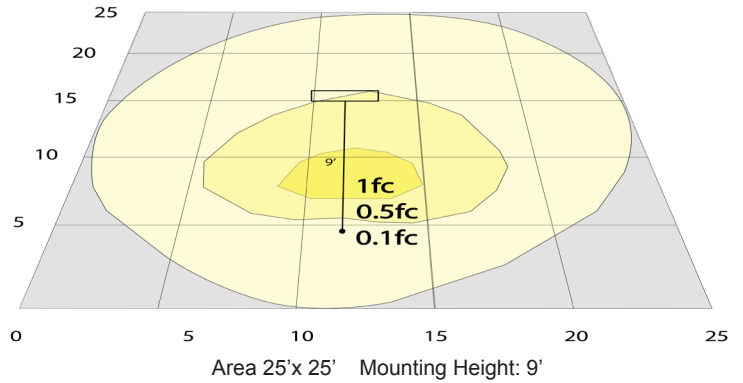


WG-Z9-Z1-2Z

Photometrics: LDS-MCT5-DT-SIL



BUG Rating: B0-U3-G1



Other Views:



Side View



Front View



Back View

Performance Table: LDS-MCT5-DT-SIL

MODEL NO.	Wattage	Voltage	Lumens	Color Temp.	BUG Rating	LPW
LDS-MCT5-DT-SIL	15W	120V	1500LM	2700K/3000K/3500K/4000K/5000K	B0-U3-G1	100

Sample Ordering

Model Color Temp. Dimming Housing

LDS - MCT5 - D - SIL

Factory-Installed Option:

Blank = No Option For Accessories

OPT-EM-LDS = EMERGENCY BATTERY BACKUP

OPT-PC-B1 = BUTTON

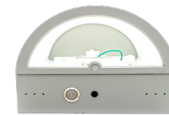
OPT-SEN-LDS-GY = PROGRAMMABLE MICROWAVE BI-LEVEL SENSOR

WEC-8RC= OPTIONAL REMOTE CONTROL

FACTORY-INSTALLED OPTION:



OPT-EM-LDS
EMERGENCY BATTERY BACKUP



OPT-SEN-LDS-GY
PROGRAMMABLE MICROWAVE
BI-LEVEL SENSOR



WEC-8RC
OPTIONAL REMOTE CONTROL



OPT-PC-B1
BUTTON

Example:

1. LDS-MCT5-DT-SIL

(FOR LDS 15W MCT5 FIXTURE 120V)

2. LDS-MCT5-DT-SIL

(FOR LDS 15W MCT5 FIXTURE 120V)

OPT-EM-LDS

(EMERGENCY BATTERY BACKUP)

