

LDS SERIES OUTDOOR LIGHTING

LDS-MCT5-DT-PIR-SIL
10 OUTDOOR/INDOOR LED DECORATIVE WALL SCENCE WITH PIR SENSOR

MCT MCT: Multi Color Temperature (Selectable)



Selection:



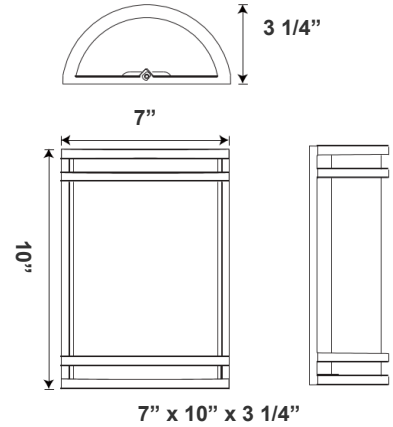
Ideal for Hallways, bedrooms, laundry rooms, bathrooms, alleys,
Loading docks, doorway, pathway

Customer Name: _____

Project Name: _____

Note: _____

Type: _____



Features

- Multi CCT (Selectable Switch on the LED Board)
- Direct Replacement for Fluorescent
- 7-Year Warranty
- Housing: Steel base with Die-cast Rings
- High-Transmission Frosted Plastic Lens With Excellent Distribution and Uniformity

Technical Specifications

Electrical:

- Voltage: 120V AC 50/60Hz
- Output Voltage: 36VDC
- Power Factor: >0.90
- Wattage: 15W
- Efficacy: 65 LPW
- Total Harmonic Distortion: ≤15 %

Mechanical:

- Gray Finish
- Housing: Steel base with Die-cast Rings
- 120V TRIAC Motion Sensor - 100%-30% after 1 minute
- High-Transmission Frosted Plastic Lens With Excellent Distribution and Uniformity
- Maximum Ambient Temperature: 50~113°F
- Rated life: 50,000 Hrs
- Wet Location

Lighting:

- Dimming: TRIAC Dimming (Using Standard TRIAC LED Dimmers)
- Total Lumens: 980LM
- Color Temperatures: 2700K/3000K/3500K/4000K/5000K
- Multi CCT (Selectable Switch on the LED Board)
- Color Rendering Index: CRI ≥ 80
- Beam Angle: 120°

Applications:

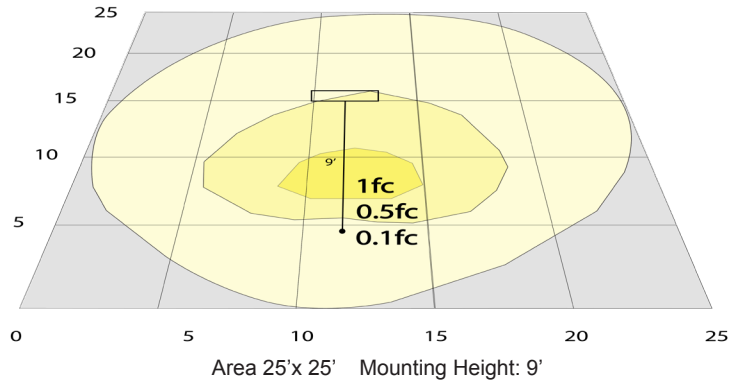
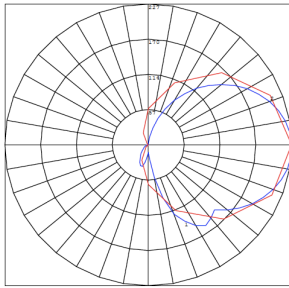
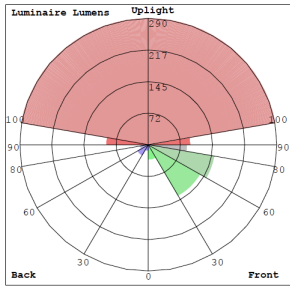
- Hallways, bedrooms, laundry rooms, bathrooms, alleys, Loading docks, doorway, pathway.

Other Models:

- 15W | 980LM | LDS-MCT5-DT-PIR-ORB



Photometrics: LDS-MCT5-DT-PIR-SIL



BUG Rating: B0-U3-G1

Other Views:



Side View



Front View



Back View

Performance Table: LDS-MCT5-DT-PIR-SIL

MODEL NO.	Wattage	Voltage	Lumens	Color Temp.	BUG Rating	LPW
LDS-MCT5-DT-PIR-SIL	15W	120V	980LM	2700K/3000K/3500K/4000K/5000K	B0-U3-G1	65

Sample Ordering

Model Color Temp. Dimming Sensor Housing
 LDS - MCT5 - D - PIR - SIL

Factory-Installed Option:

Blank = No Option For Accessories
 OPT-EM-LDS = EMERGENCY BATTERY BACKUP
 OPT-PC-B1 = BUTTON
 OPT-SEN-LDS-GY = PROGRAMMABLE MICROWAVE BI-LEVEL SENSOR
 WEC-8RC = OPTIONAL REMOTE CONTROL
 OPT-277V-LDS = EXTERNAL BOX

FACTORY-INSTALLED OPTION:



OPT-EM-LDS
EMERGENCY BATTERY BACKUP



OPT-SEN-LDS-GY
PROGRAMMABLE MICROWAVE
BI-LEVEL SENSOR



WEC-8RC
OPTIONAL REMOTE CONTROL



OPT-PC-B1
BUTTON

