

# LDS SERIES OUTDOOR LIGHTING

LDS-MCT5-ORB

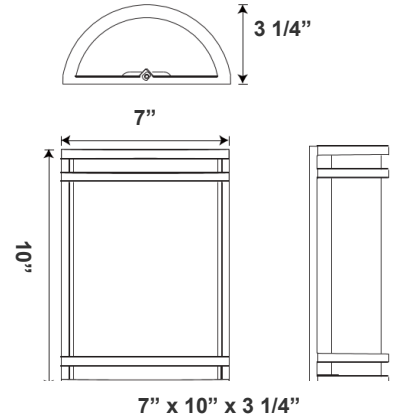
**WESTGATE**  
THE FUTURE IS HERE...AND IT'S QUITE BRIGHT!



Customer Name: \_\_\_\_\_

Project Name: \_\_\_\_\_

Note: \_\_\_\_\_ Type: \_\_\_\_\_



Ideal for Hallways, bedrooms, laundry rooms, bathrooms, alleys, Loading docks, doorway, pathway

## Features

- Outdoor decorative sconce
- Multi CCT (Selectable Switch on the LED Board )
- Bronze Finish
- 7-Year Warranty
- Housing: Steel base with Die-cast Rings
- High-Transmission Frosted Plastic Lens With Excellent Distribution and Uniformity

## Technical Specifications

### Electrical:

- Voltage: 120V AC 50/60Hz
- Output Voltage: 36VDC
- Power Factor: >0.90
- Wattage: 12W
- Efficacy: 100 LPW
- Total Harmonic Distortion:  $\leq 15\%$

### Mechanical:

- Bronze Finish
- Outdoor decorative sconce
- Housing: Steel base with Die-cast Rings
- High-Transmission Frosted Plastic Lens With Excellent Distribution and Uniformity
- Maximum Ambient Temperature: 50~113°F
- Wet Location

### Lighting:

- Dimming: TRIAC Dimming (Using Standard TRIAC LED Dimmers)
- Total Lumens: 1200LM
- Color Temperatures: 2700K/ 3000K/ 3500K/ 4000K/ 5000K
- Multi CCT (Selectable Switch on the LED Board )
- Color Rendering Index: CRI  $\geq 80$
- Beam Angle: 120°
- Rated life: 70,000 Hrs

### Applications:

- Hallways, bedrooms, laundry rooms, bathrooms, alleys, Loading docks, doorway, pathway.

### Other Models:

- 12W | 1200LM | LDS-MCT-D

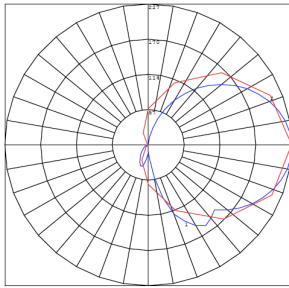
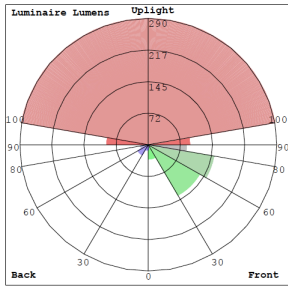


Phone: (877) 805-2252 | Fax: (877) 805-2252  
www.westgatemfg.com | www.westgatecontrols.co

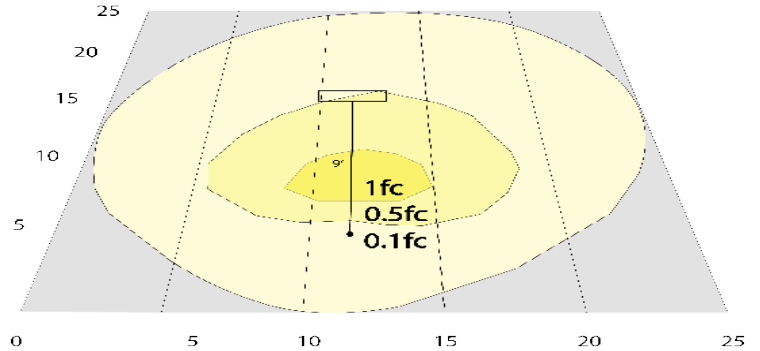


WG-Z9-Z1-2Z

## Photometrics: LDS-MCT5-ORB



BUG Rating: B0-U3-G1



12W 5000K, Area 25'x 25' Mounting Height: 9'

## Other Views:



Side View



Front View



Back View

## Performance Table: LDS-MCT5-ORB

| MODEL NO.    | Wattage | Voltage | Lumens | Color Temp.                       | BUG Rating | LPW |
|--------------|---------|---------|--------|-----------------------------------|------------|-----|
| LDS-MCT5-ORB | 12W     | 120V    | 1200LM | 2700K/ 3000K/ 3500K/ 4000K/ 5000K | B0-U3-G1   | 100 |

## Sample Ordering

Model Color Temp. Finish

LDS - MCT5 - ORB

## Factory-Installed Option:

Blank = No Option For Accessories

OPT-EM-LDS = EMERGENCY BATTERY BACKUP

OPT-PC-B1 = BUTTON

OPT-SEN-LDS-BR = PROGRAMMABLE MICROWAVE BI-LEVEL SENSOR

WEC-8RC = OPTIONAL REMOTE CONTROL

## FACTORY-INSTALLED OPTION:



OPT-EM-LDS  
EMERGENCY BATTERY BACKUP



OPT-PC-B1  
BUTTON



OPT-SEN-LDS-BR  
PROGRAMMABLE MICROWAVE  
BI-LEVEL SENSOR



WEC-8RC  
OPTIONAL REMOTE CONTROL



## Example:

1. LDS-MCT5-ORB

(FOR LDS 12W MCT5 FIXTURE 120V)

2. LDS-MCT5-ORB

(FOR LDS 12W MCT5 FIXTURE 120V)

OPT-EM-LDS

(EMERGENCY BATTERY BACKUP)

