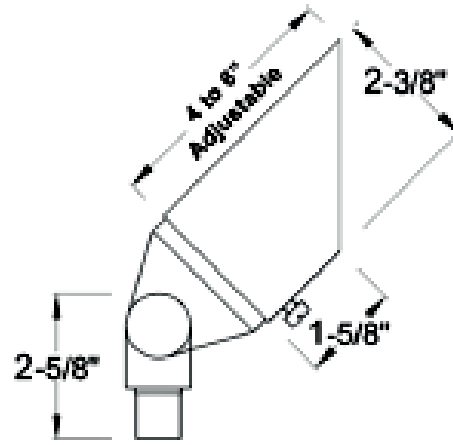




DIMENSIONS:



LD-176-CR

12V LED DIRECTIONAL LIGHT

Ideal for walkway and pathway, stairway and more.

ELECTRICAL SPECIFICATIONS:

- Voltage: 12V AC/DC
- Wattage: 7W Max (5W included)
- Efficacy: 78LM/W/71LM/W

HOUSING SPECIFICATIONS:

- Housing Material: Solid Copper
- 3FT. STP-2 18AWG lead wire
- 8-1/2" Non-metallic Spike
- Silicon-filled Wire Nuts
- IP rating: IP67, Wet Locations

CERTIFICATIONS:



MODEL	WATTS	VOLTAGE	LUMENS	COLOR TEMP.
LD-176-CR	7W Max	12VAC/DC	400LM	3000K

ACCESSORIES INCLUDED:



LIGHTING SPECIFICATIONS:

- 5W LED Glass MR16 Lamp Included (WESTGATE Part Number: MR16-400L-30K-D)
- Lens: Convex Glass Lens
- Total lumens: 400LM
- Color Temperature: 3000K
- Beam Angle: 36°

WARRANTY: 1 years

