

LCFH SERIES RESIDENTIAL LIGHTING

LCFH-1L-MCT5

INTEGRATED LED SQUARE HOLOGRAM GLASS PEDANT



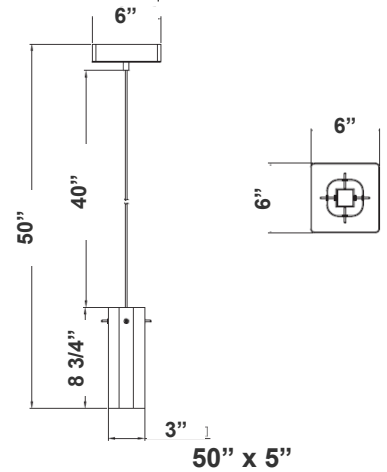
Integrated LED glass pendant is a contemporary and stylish design that can be used by itself as an accent piece, or grouped together to light a kitchen island, bar, or pool table.

Customer Name: _____

Project Name: _____

Note: _____

Type: _____



Features

- Multi CCT (Selectable Switch on the LED Board under the lens)
- Brushed Nickel Finish
- 5-Year Warranty
- Polycarbonate lens

Technical Specifications

Electrical:

- Voltage: 120V AC 50/60Hz
- Wattage: 12W
- Power Factor: >0.90
- Efficacy: 68 LPW

Mechanical:

- Brushed Nickel Finish
- Glass Material: 5/64" (2mm) thickness, Ultra Clear Glass
- Power Cord is 60" Long
- Maximum Ambient Temperature: -22°F to 104°F
- IP20 indoor only

Lighting:

- Dimming: TRIAC Dimming (Dimmable Down to 5% Compatible with Traic and ELV Dimmers)
- Total Lumens: 810LM
- Color Temperatures: 2700K/3000K/3500K/4000K/5000K
- Multi CCT (Selectable Switch on back of the fixture)
- Color Rendering Index: CRI ≥ 90
- Beam Angle: 120°
- Rated life: 50,000 Hrs

Applications:

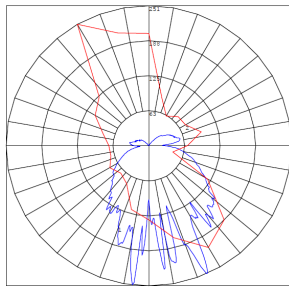
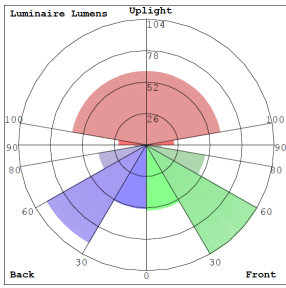
- Integrated LED glass pendant is a contemporary and stylish design that can be used by itself as an accent piece, or grouped together to light a kitchen island, bar, or pool table.

Other Models:

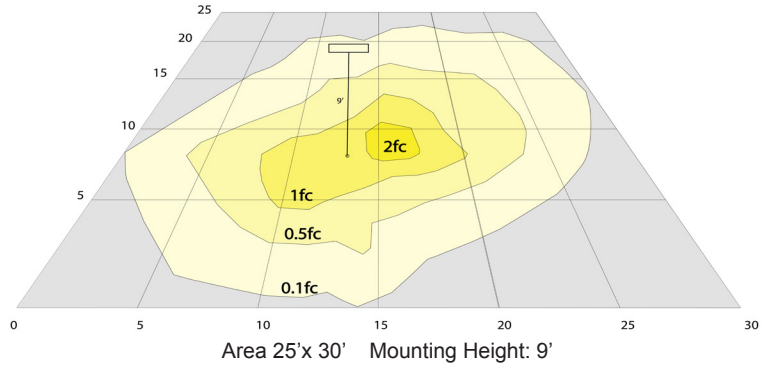
- 36W | 2430LM | LCFH-3LR-MCT5
- 36W | 2430LM | LCFH-3LS-MCT5



Photometrics: LCFH-1L-MCT5



BUG Rating: B0-U3-G1



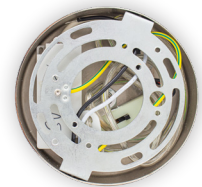
Other Views:



Side View



Glass Lens View



Top View

Performance Table: LCFH-1L-MCT5

MODEL NO.	Wattage	Voltage	Lumens	Color Temp.	BUG Rating	LPW
LCFH-1L-MCT5	12W	120V	810LM	2700K/ 3000K/ 3500K/ 4000K/ 5000K	B1-U1-G0	68

Sample Ordering

Model **Light** **Color Temp.**

LCFH - 1L - MCT5

Example:

1. LCFH-1L-MCT5

(FOR LCFH 12W MCT5 FIXTURE 120V)

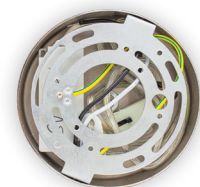
Other Model: LCFH-3LR-MCT5



Side View



Glass Lens View



Top View

