

IGLC SERIES Outdoor Lighting

IGLC-D9-30W-MCTP-120D-D

STAINLESS STEEL COMMERCIAL INGROUND LIGHTS

MCTP Multi Color Temperature & Multi Power/Wattage (Selectable)

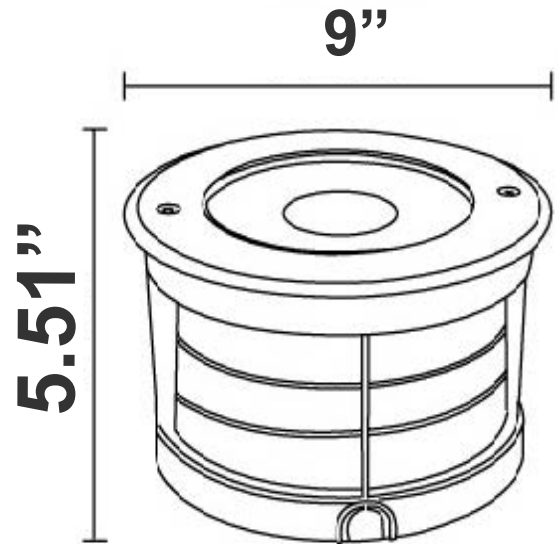
WESTGATE
THE FUTURE IS HERE...AND IT'S QUITE BRIGHT!

Customer Name: _____

Project Name: _____

Note: _____

Type: _____



Stainless steel commercial inground lights designed for durability, corrosion resistance, and reliable outdoor illumination in high-traffic areas.

5.51"(H) x 9"(D)

Features

- Die-Cast Aluminum With Powder Coat Finish
- 9" Dia Bronze
- Lens: Prismatic Lens
- 7-Year Warranty

Technical Specifications

Electrical:

- Voltage: 120~277 VAC, 50/60 Hz
- Wattage: 12W/20W/30W
- Power Factor: >0.95
- Efficacy: 85LM/W

Mechanical:

- Die-Cast Aluminum With Powder Coat Finish
- Recessed Wall Mount
- Traffic Rated: Designed to withstand heavy vehicular loads, ensuring durability and reliability in high-traffic areas. Ideal for parking lots, driveways, and roadways
- Can Be Installed In Concrete
- Operating Temperature: -40°F to 10°F
- 7-Year Warranty
- IP 65, Suitable for Wet Locations

Lighting:

- MCTP: Wattage & CCT Selectable Switches inside fixture
- Lens: Prismatic Lens
- Total Lumens: 2550LM Max.
- Color Temperatures: 3000K/4000K/5000K
- Color Rendering Index: CRI ≥ 80
- Beam Angle: 120°
- Rated life: 70,000 Hrs

Applications:

- Alleys
- Loading Docks
- Doorways
- Pathways
- Parking areas
- Residential area



Other Views:

IGLC-D9-30W-MCTP-120D-D



Side View



Front View



Back View

Performance Table: IGLC-D9-30W-MCTP-120D-D

MODEL NO.	Wattage	Voltage	Lumens	Color Temp.	LPW
IGLC-D9-30W-MCTP-120D-D	12W	120~277V	1020LM	3000K	85
	20W		1700LM	4000K	
	30W		2550LM	5000K	

Sample Ordering

Model	Size	Wattage	Color Temp.	Degree	Dimming					
IGLC	-	D9	-	30W	-	MCTP	-	120D	-	D

