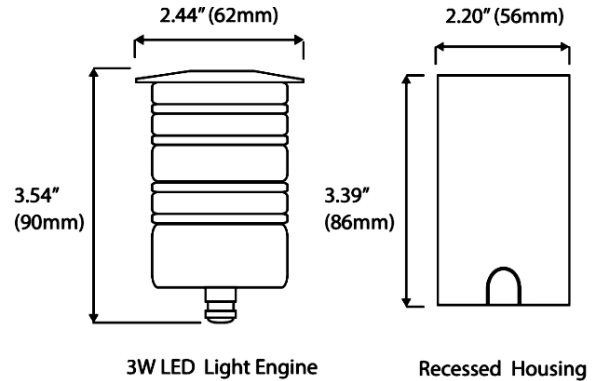




**DIMENSIONS:**

3.54"(H) x 2.44"(D)



3W LED Light Engine

Recessed Housing



Silicon-filled Wire Nuts



5" SJTW 20AWG Lead Wire

**IGL-3W-RGBW**

**12V INTEGRATED LED (IN GROUND) LIGHTS**

Ideal for Landscape light, Concrete light, Deck light, In floor light.

**ELECTRICAL SPECIFICATIONS:**

- Voltage: 12VAC/DC
- Wattage: 3W
- Efficacy: 96LM/W

**HOUSING SPECIFICATIONS:**

- Aluminum Housing
- Stainless Steel Cover, PVC Sleeve
- Silicon-filled Wire Nuts
- 5" SJTW 20AWG Lead Wire
- Operating Temperature: -20°F ~ 110°F
- Lifespan: 50,000hr
- IP Rating: IP67
- Traffic Rated: Can withstand normal passenger vehicle

**CERTIFICATIONS:**



MODEL	WATTS	VOLTAGE	LUMENS	COLOR TEMP
IGL-3W-RGBW	3W	12VAC/DC	290LM	RGB+3000K

**NEEDS CONTROLLER:**



MODEL	DESCRIPTION
RGBW-CONTROLLER	WI-FI RGBW Controller (Remote incl.), 192W max, 12-24 VDC (Not Included)

**LIGHTING SPECIFICATIONS:**

- Lens: Glass lens
- Light Source: COB Technology
- Total lumens: 290LM
- Color temperature: RGB + 3000K
- Beam angle: 45°

**WARRANTY: 1 years**

