

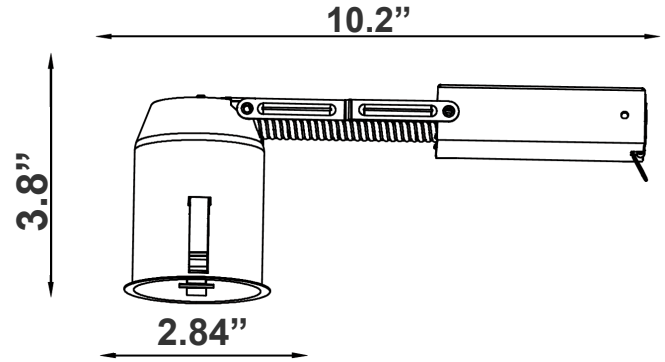
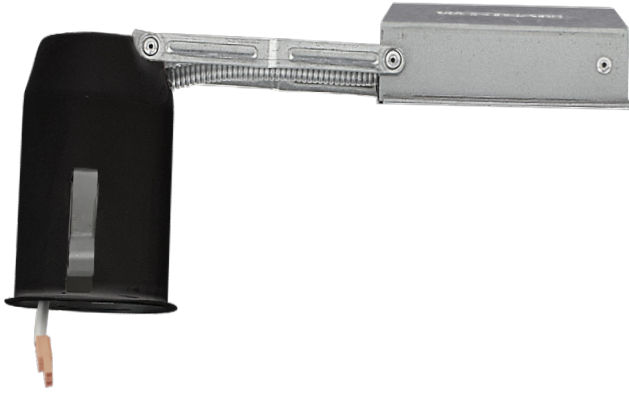
2In Led ITP24 Remodel Recessed Housing ICATUL

Customer Name: _____

Project Name: _____

Note: _____

Type: _____



3.8"(H) x 10.2"(W) x 2.84"(D)

LED Recessed Housings are efficient, IC-rated fixtures designed for seamless ceiling integration. Ideal for both new construction and remodels, they offer dimming capabilities, airtight options, and excellent thermal management, making them perfect for energy-saving applications across residential and commercial spaces.

Features

- Single-wall painted steel housing with gasket for IC-rated airtight installation in insulated ceilings
- Airtight to prevent heated airflow diffusion
- IC-rated; can be directly installed on ceiling insulation lagging
- Listed for through-branch circuit wiring
- Contains nine 8-3/5" knockouts and four Romex pry-outs with strain relief
- Ground wire provided in J-box
- Three quick connectors provided on J-Box

Technical Specifications

Remodel Clips:

- Four remodel clips secure the housing and accommodate 1/2" and 5/8" ceiling materials.

Mechanical:

- Single-wall painted steel housing with gasket for IC-rated airtight installation in insulated ceilings
- Airtight to prevent heated airflow diffusion
- IC-rated; can be directly installed on ceiling insulation
- 7-Year Warranty

Junction Box:

- Listed for through-branch circuit wiring
- Contains nine 8-3/5" knockouts and four Romex pry-outs with strain relief
- Ground wire provided in J-box
- Three quick connectors provided on J-Box

Listings:

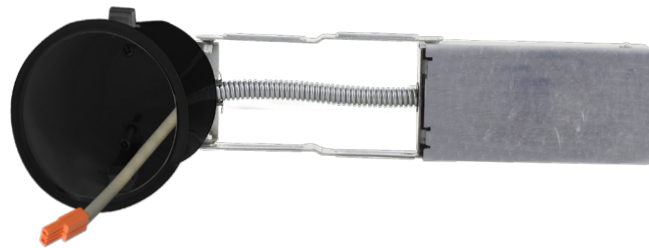
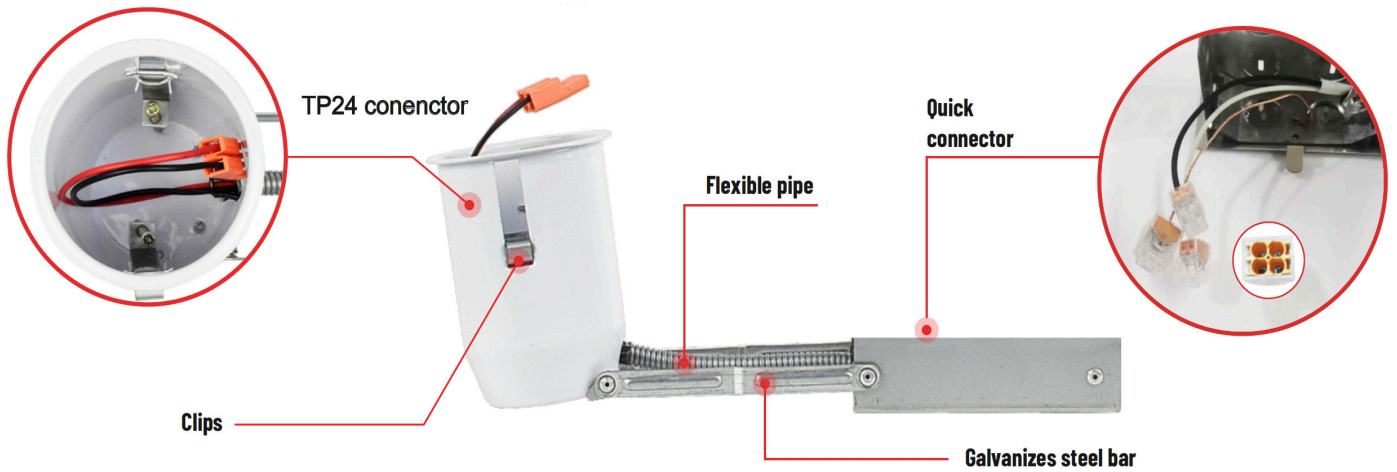
- UL listed for damp location.
- UL listed for Air Tight construction

Applications:

- Offer efficient, low-profile lighting for commercial, retail, and residential spaces, supporting both new construction and remodels with IC-rated, airtight options for optimal energy performance and code compliance



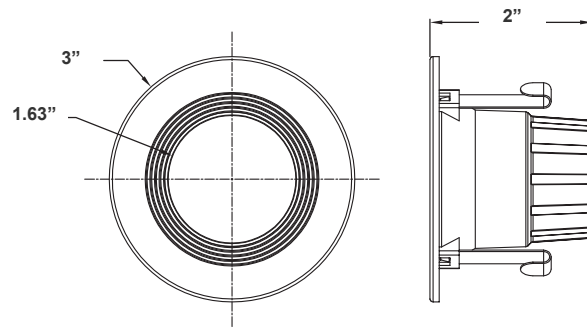
Other Views:



Bottom View

Westgate Compatible Recessed Trims:

RDPS2-MCT5

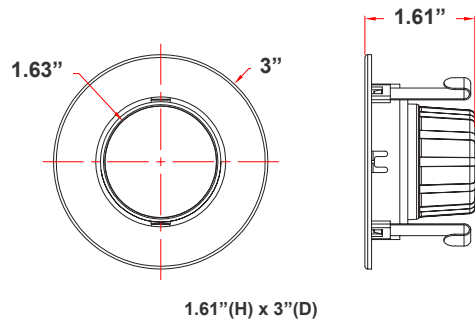


2" (H) x 3" (D)

MODEL NO.	Wattage	Voltage	Lumens	Color Temp.
RDPS2-MCT5	7W	120V	600LM	2700K/ 3000K/ 3500K/ 4000K/ 5000K



RDPS2-MCT5



MODEL NO.	Wattage	Voltage	Lumens	Color Temp.
RDPS2-ADJ-MCT5	7W	120V	600LM	2700K/ 3000K/ 3500K/ 4000K/ 5000K

Other Models:

HL2DW-ICAT

