

# GPET SERIES Outdoor Lighting

## GPET-30-60W-MCTP

POWER & CCT- ADJUSTABLE GARDEN POST-TOP LIGHTS

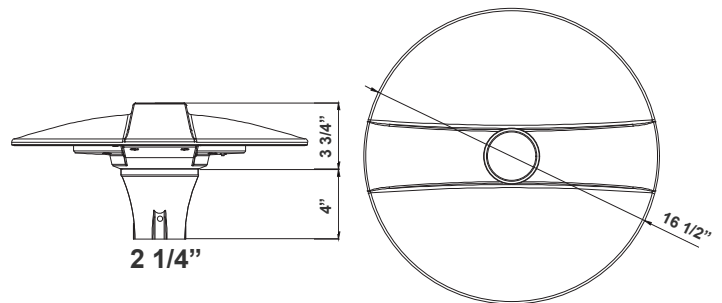
**MCTP** Multi Color Temperature & Multi Power/Wattage (Selectable)

Customer Name: \_\_\_\_\_

Project Name: \_\_\_\_\_

Note: \_\_\_\_\_

Type: \_\_\_\_\_



7 3/4" (H) x 16 1/2" (D)

Ideal for airports, auto dealerships, corporate offices, education, government, healthcare, industrial warehouses, municipal parking, gas stations, convenient stores, recreation and public venues, restaurants, hospitality, retail and grocery stores.

## Features

- Aluminum Housing ,Outdoor Powder Coated
- Fits On 3" OD Pipes/Pole
- 7-Year Warranty
- Multi CCT and Power: Selectable Switch Inside Of The Fixture

## Technical Specifications

### Electrical:

- Voltage: 100-277V AC 50/60Hz
- Wattage: 30W/50W/60W
- Power Factor: 0.95
- Efficacy: 130LM/W

### Mechanical:

- Aluminum Housing , Outdoor Powder Coated
- Programmable Bi-Level Motion Sensor & Emergency Backup Options
- Operating Temperature: -86°F~122°F
- IP Rating: IP66, Suitable for Wet Locations
- 7-Year Warranty

### Lighting:

- Multi CCT and Power: Selectable Switch Inside Of The Fixture
- Dimmable: 0~10V Dimming
- LED: SMD 3030
- Total Lumens: 7800LM Max.
- Color Temperature: 3000K/4000K/5000K
- Color Rendering index: >70
- Beam Angle: Type V (150° X 150°)
- Lifespan: 70000 Hrs.

### Applications:

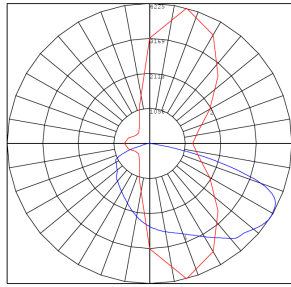
- Ideal For Garden, Amusement Park, Residential Quater , Industrial Park And Pedestrian street.

## Other Model:

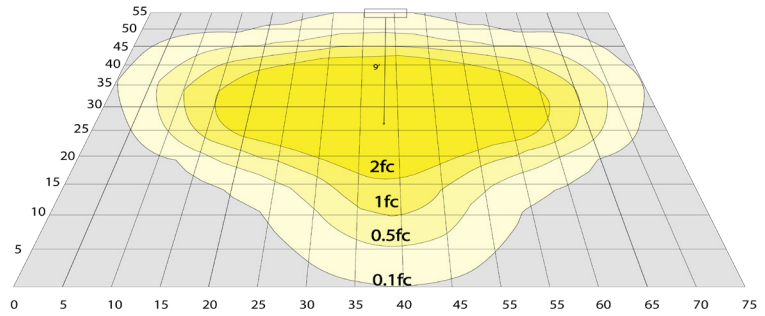
- 130W | 13000LM | GPET-60-100W-MCTP



**Photometrics:** GPET-30-60W-MCTP



BUD Rating: B1-U1-G0



20W 5000K, Area 55'x 75' Mounting Height: 9'

**Other Views:**



Side View



Back View



Bottom View

**Performance Table:** GPET-30-60W-MCTP

MODEL NO.	Wattage	Voltage	Lumens	Color Temp.	BUG Rating	LPW
GPET-30-60W-MCTP	30W 50W 60W	120-277V	3900LM 6500LM 7800LM	3000K 4000K 5000K	B1-U1-G0	130

**Sample Ordering**

Model    Min. Watt    Max. Watt    Color Temp.

GPET - 30 - 60W - MCTP

**Accessory:**

Blank = No Option  
GPE-30-25-REDUCER = GPE Neck Reducer from 3" Inner Diameter to 2.5"

**Factory Installed Options:**

Blank = No Option  
OPT-EM-OD2INT = INTERNAL EMERGENCY BACK UP BATTERY  
OPT-3MPC = MICROWAVE PHOTOCCELL  
OPT-CLR-95(BK/GR/SR/WH) = COLOR PAINT  
OPT-SEN-3MR-3 = BI-LEVEL MICROWAVE SENSOR  
WEC-8RC = REMOTE CONTROL

**FACTORY INSTALLED OPTIONS:**



**COLOR CHART:** \* Choose from one of our Premium Colors with no set-up fee.

**Gloss:**



SILVER METALLIC  
70 GLOSS  
T357-GR105



SILVER METALLIC  
30 GLOSS  
T353-GR06



DARK RED 90  
GLOSS  
P009-RD02



INTERNATIONAL  
ORANGE 90  
GLOSS  
T009-OG26



SAFETY ORANGE  
90 GLOSS  
T009-OG01



YELLOW 90  
GLOSS  
T009-YL14



YELLOW 90  
GLOSS  
T009-YL01



TRAFFIC GREEN  
70 GLOSS  
T007-GN16



GREEN 70 GLOSS  
T007-GN13



GREEN 60 GLOSS  
C006-GN03



BLUE 90 GLOSS  
T009-BL01



DARK BLUE 80  
GLOSS  
T008-BL20



RAL 8028 TERRA  
BROWN 90 GLOSS  
C209-BR358

**Hammer:**



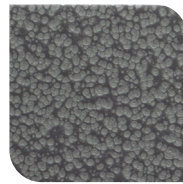
WHITE HAMMER  
T013-WH09



BEIGE HAMMER  
T013-BG38



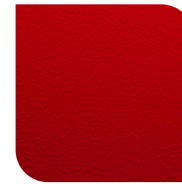
GREY HAMMER  
C013-GR08



SILVER  
HAMMERTONE  
T064-GR05



BLACK HAMMER  
T013-BK62



RED HAMMER  
T013-RD15



GREEN HAMMER  
T013-GN220



BLUE HAMMER  
T013-BL468



BRONZE HAMMER  
T012-BR161

**Texture:**



WHITE TEXTURE  
C031-WH120



FLINT GRAY  
TEXTURE  
T243-GR522



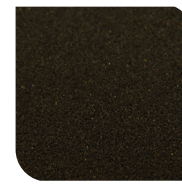
BLACK TEXTURE  
C241-BK109



RED TEXTURE  
T241-RD129



BLUE TEXTURE  
C241-BL544



OIL RUBBED  
BRONZE TEXTURE  
T291-BR251

**Vein:**



BLACK/WHITE  
VEIN  
T075-WH34



SILVER VEIN  
T375-BK26



COPPER VEIN  
EXTERIOR  
T075-BK211



GOLD VEIN  
T375-BK10



COPPER VEIN  
T375-BK07

