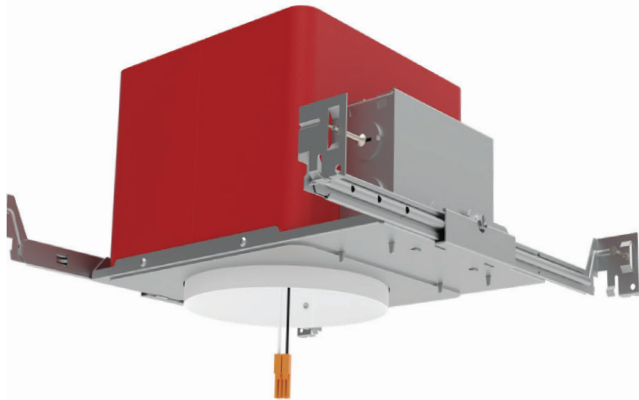


FR SERIES Indoor Lighting

FR-HL6-AT
6in 2hr Fire-Rated Recessed Housing New Const.

WESTGATE
THE FUTURE IS HERE...AND IT'S QUITE BRIGHT!



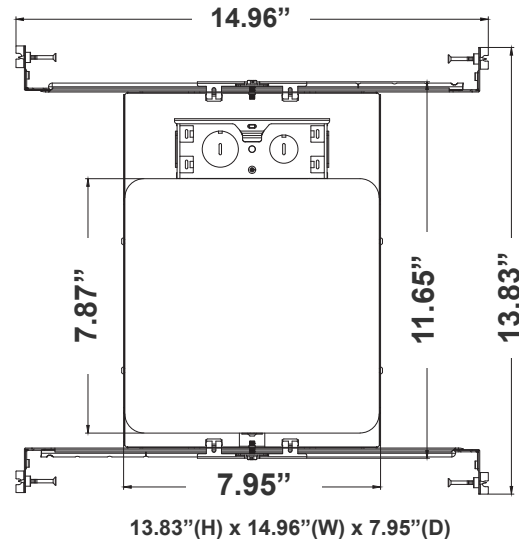
FIRE-RATED RECESSED HOUSINGS GEN. 2 are IC (Insulation Contact) and AT (Air-Tight) rated lighting fixtures specifically designed to meet UL263 and UL1598 standards. These housings ensure compliance with fire safety and energy efficiency requirements, offering reliable performance in both residential and commercial applications.

Customer Name: _____

Project Name: _____

Note: _____

Type: _____



Features

- Type IC Rated for Direct Contact With Insulation; Complies With The Standard of UL for Luminaires (UL 1598)
- ETL Listed for 2-Hour Fire Resistance to Meet and Exceed Strict Fire UL 263 Safety Code
- Meets Title 24 Requirements
- Rated for Direct Contact With IC Insulation
- LED quick connector provided
- ETL ASTM E283/E283M-19 Air Tight certified
- Integrated Non-Combustible Insulation Acts As a Sound Barrier Minimizing Sound Transfer Between Floors
- Trims and Inserts Sold Separately
- 2 Hours Fire Rating Construction of ceiling and floor assembly UL design no. L505.

Technical Specifications

Electrical:

- Voltage: 120V or 277V
- Wattage: 22W

Mechanical:

- Double wall IC rated for direct contact with insulation.
- For use in IC and non-IC conditions
- Housing adjusts in frame to accommodate up to 1 1/2" ceiling thickness
- Airtight housing with gasket to restrict airflow in accordance with ASTM E-283 air-tight requirements
- Suitable for Damp Locations

Junction Box:

- Pre-wired #21 gauge galvanized steel junction box with (7) 1/2" knockouts and (4) Romex® knockouts and removable plates

Hanger Bars:

- Pre Installed hanger bars with True Nail easy installation in regular lumber, engineered lumber, and Laminated Beams. Integral T-bar slots for easy installation in T-Bars. Spans up 24" and can be repositioned 90°. Score lines allow for tool-free hanger bar size reduction. Integral leveling flange allows for single-person installation while easily aligning the housings with the joists

Applications:

- Designed for ceiling plenums where 2x8 joists or taller are used
- High strength hanger bars can easily be nailed to joists
- Suitable for T-grid and drop ceiling applications
- See installation sheet for detailed information



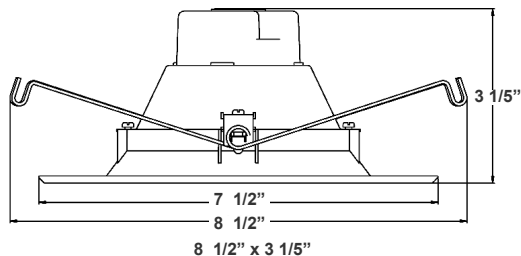
Phone: (877) 805-2252 | Fax: (877) 805-2252
www.westgatemfg.com |



WG-20250127

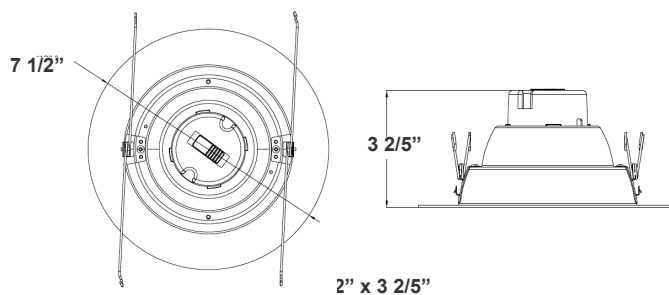
Westgate Compatible Recessed Trims:

RDP6



MODEL NO.	Wattage	Voltage	Lumens	Color Temp.
RDPF6-MCT5	13W	120V	1040LM	2700K/ 3000K/ 3500K/ 4000K/ 5000K
RDPS6-MCT5	13W	120V	1040LM	2700K/ 3000K/ 3500K/ 4000K/ 5000K

RDL6-ST

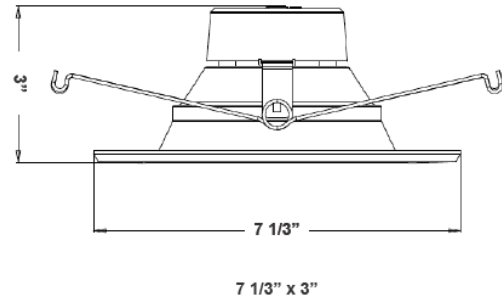


MODEL NO.	Wattage	Voltage	Lumens	Color Temp.
RDL6-ST-MCT5	15W	120V	1140LM	2700K/ 3000K/ 3500K/ 4000K/ 5000K
RDL6-ST-MCT5-ORB	15W	120V	1140LM	2700K/ 3000K/ 3500K/ 4000K/ 5000K
RDL6-ST-MCT5-BK	15W	120V	1140LM	2700K/ 3000K/ 3500K/ 4000K/ 5000K



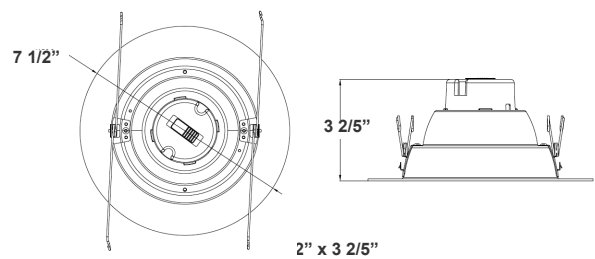
Westgate Compatible Recessed Trims:

RDL6-BF



MODEL NO.	Wattage	Voltage	Lumens	Color Temp.
RDL6-BF-MCT5	15W	120V	1140LM	2700K/ 3000K/ 3500K/ 4000K/ 5000K
RDL6-BF-MCT5-ORB	15W	120V	1140LM	2700K/ 3000K/ 3500K/ 4000K/ 5000K
RDL6-BF-MCT5-BK	15W	120V	1140LM	2700K/ 3000K/ 3500K/ 4000K/ 5000K
RDL6-BF-27K	18W	120V	1120LM	2700K
RDL6-BF-30K	18W	120V	1204LM	3000K
RDL6-BF-30K-ORB	18W	120V	1204LM	3000K
RDL6-BF-35K	18W	120V	1280LM	3500K
RDL6-BF-41K	18W	120V	1300LM	4100K
RDL6-BF-50K	18W	120V	1350LM	5000K

RDL6-WP

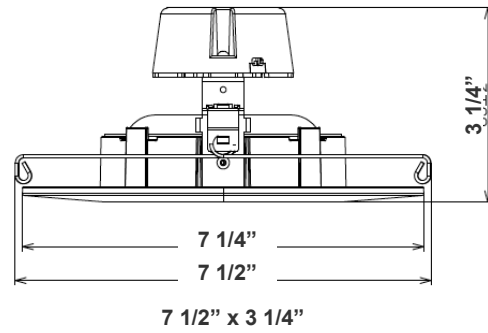


MODEL NO.	Wattage	Voltage	Lumens	Color Temp.
RDL6-MCT5-WP	14W	120V	1140LM	2700K/ 3000K/ 3500K/ 4000K/ 5000K
RDL6-27K-WP	19W	120V	1200LM	2700K
RDL6-30K-WP	19W	120V	1250LM	3000K
RDL6-35K-WP	19W	120V	1275LM	3500K
RDL6-41K-WP	19W	120V	1300LM	4100K
RDL6-50K-WP	19W	120V	1350LM	5000K
RDL6-65K-WP	19W	120V	1400LM	6500K



Westgate Compatible Recessed Trims:

RDL6-ADJ



MODEL NO.	Wattage	Voltage	Lumens	Color Temp.
RDL6-ADJ-27K	13W	120V	900LM	2700K
RDL6-ADJ-30K	13W	120V	900LM	3000K
RDL6-ADJ-41K	13W	120V	900LM	4100K
RDL6-ADJ-50K	13W	120V	900LM	5000K

