

FMLT SERIES

Residential Lighting

WESTGATE
THE FUTURE IS HERE...AND IT'S QUITE BRIGHT!

FMLT-R12-MCT5

ULTRA-ECONOMY QUICK-INSTALL FLUSH-MOUNT LIGHT

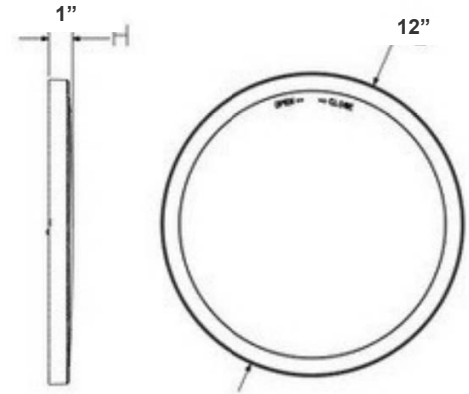
MCT5 Multi Color Temperature (Selectable)

Customer Name: _____

Project Name: _____

Note: _____

Type: _____



1"(W) X 12" (D)

This ultra-economy flush-mount light offers fast and easy installation, operating at 120V with 5 selectable color temperatures (5CCT). Ideal for budget-friendly projects needing versatile, efficient lighting.

Features

- Unique DOB (Driver On Board) LED Board Enclosed in Clear PC Cover for Better Performance
- Multi CCT (Selectable Switch on LED Board Under the Lens)
- Die-cast Aluminum. Powder-Coated
- 5-Year Warranty
- 1" Deep

Technical Specifications

Electrical:

- Voltage: 120V AC
- Power Factor: >0.90
- Wattage: 24W
- Efficacy: 89LPW

Mechanical:

- White Finish
- Stainless Steel Test Button with Integrated Indicator Light
- Die-cast Aluminum. Powder-Coated
- Maximum Ambient Temperature: 32°F to 104°F
- Indoor Use Only
- 5-Year Warranty

Lighting:

- Multi CCT (Selectable Switch on Driver)
- LED: Edge Lit LED Technology
- Dimming: TRIAC Dimming (Using Standard TRIAC LED Dimmers)
- Total Lumens: 2150LM
- Color Temperatures: 2700/3000/3500/4000/5000K
- Color Rendering Index: CRI ≥ 90
- Beam angle: 120°
- Rated life: 50,000 hrs

Applications:

- Flush Mount lighting can use in most rooms of the house, especially those where you want ambient, general light. It's especially useful for hallways, kitchens, family rooms, bathrooms, closets, and bedrooms. Also Ideal for closets, storage areas, attics, corridors, or general lighting solutions for residential and commercial applications

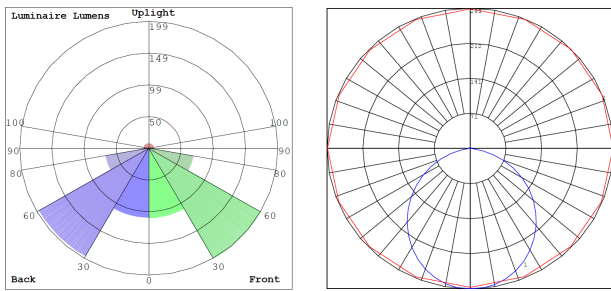


Phone: (877) 805-2252 | Fax: (877) 805-2252
www.westgatemfg.com

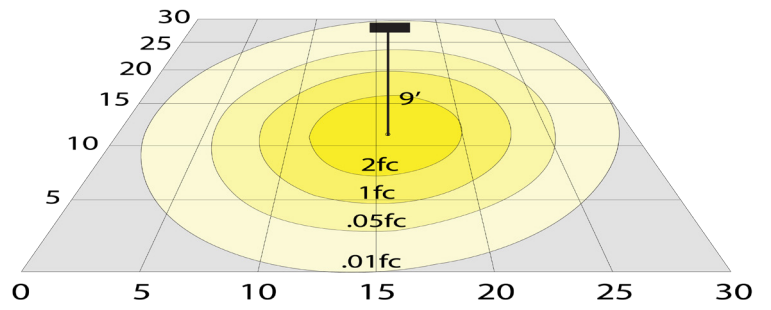


WG-04042025

Photometrics: FMLT-R12-MCT5



BUG Rating: B0-U1-G0



Simulation Based on 4000K Area 30'x 30' Mounting Height: 9'

Other Views:



Side View



Front View



Back View

Performance Table: FMLT-R12-MCT5

MODEL NO.	Wattage	Voltage	Lumens	Color Temp.	BUG Rating	LPW
FMLT-R12-MCT5	24W	120V	2150LM	2700K 3000K 3500K 4000K 5000K	B0-U1-G0	80

Sample Ordering

Model **Size** **Color Temp.**

FMLT - R12 - MCT5

QUICK-INSTALL Flush Mount Fixture:

