

# FMLE SERIES

Residential Lighting

**WESTGATE**  
THE FUTURE IS HERE...AND IT'S QUITE BRIGHT!

FMLE-R12-MCT5

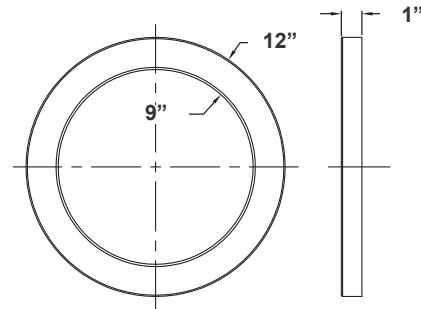


Customer Name: \_\_\_\_\_

Project Name: \_\_\_\_\_

Note: \_\_\_\_\_

Type: \_\_\_\_\_



12" x 1"

Flush Mount lighting can use in most rooms of the house, especially those where you want ambient, general light. It's especially useful for hallways, kitchens, family rooms, bathrooms, closets, and bedrooms. Also Ideal for closets, storage areas, attics, corridors, or general lighting solutions for residential and commercial applications.

## Features

- Unique DOB (Driver On Board) LED Board Enclosed in Clear PC Cover for Better Performance
- Die-cast Aluminum. Powder-Coated
- 5-Year Warranty
- 1" Deep

## Technical Specifications

### Electrical:

- Voltage: 120V AC
- Power Factor: >0.90
- THD: <20%
- Wattage: 21W
- Efficacy: 71 LPW

### Mechanical:

- Composite Polycarbonate, White Finish
- Maximum Ambient Temperature: -4°F to 113°F
- Suitable for Damp Locations
- 5-Year Warranty

### Lighting:

- Multi CCT (Selectable Switch on LED Board Under the Lens)
- LED: Edge Lit LED Technology
- Dimming: TRIAC Dimming (Using Standard TRIAC LED Dimmers)
- Total Lumens: 1500LM
- Color Temperatures: 2700/3000/3500/4000/5000K
- Color Rendering Index: CRI ≥ 90
- Beam angle: 120°
- Rated life: 50,000 hrs

### Applications:

- Flush Mount lighting can use in most rooms of the house, especially those where you want ambient, general light. It's especially useful for hallways, kitchens, family rooms, bathrooms, closets, and bedrooms. Also Ideal for closets, storage areas, attics, corridors, or general lighting solutions for residential and commercial applications

### Other Models:

- 9W | 650LM | FMLE-R5-MCT5-E26
- 14W | 1100LM | FMLE-R7-MCT5-E26
- 17W | 1300LM | FMLE-R12-MCT5-E26

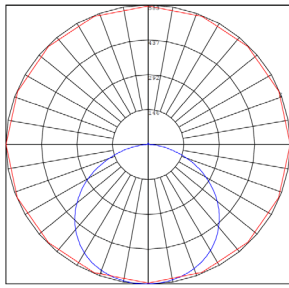
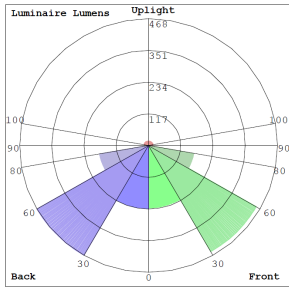


Phone: (877) 805-2252 | Fax: (877) 805-2252  
www.westgatemfg.com

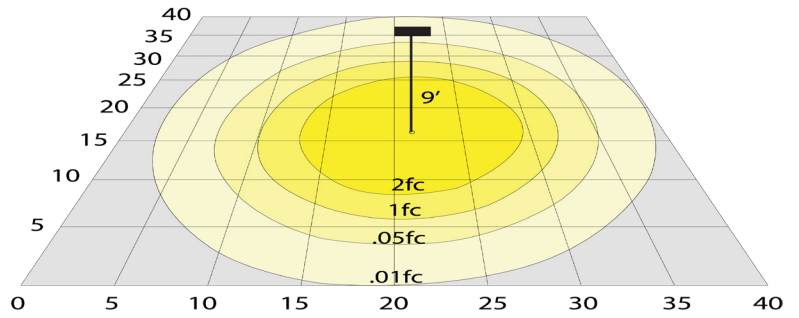


WG-07182022

**Photometrics:** FMLE-R12-MCT5-E26



BUG Rating: B1-U2-G1



Simulation Based on 4000K Area 40'x 40' Mounting Height: 9'

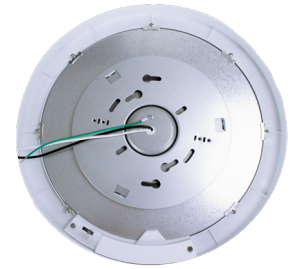
**Other Views:**



Side View



Front View



Back View

**Performance Table:** FMLE-R12-MCT5

MODEL NO.	Wattage	Voltage	Lumens	Color Temp.	BUG Rating	LPW
FMLE-R12-MCT5	26W	120V	1500LM	2700K	B1-U2-G1	71
				3000K		
				3500K		
				4000K		
				5000K		

**Sample Ordering**

Model   
 Size   
 Color Temp.  
FMLE - R12 - MCT5

