

FLDXPRO SERIES OUTDOOR LIGHTING

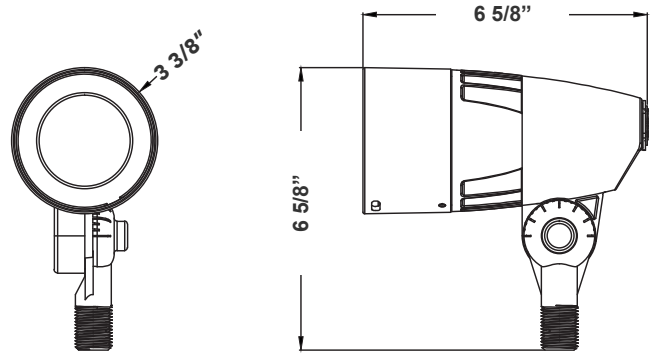
WESTGATE
THE FUTURE IS HERE...AND IT'S QUITE BRIGHT!

FLDXPRO-SM-5-15W-MCTPB-BK
POWER, CCT & BEAM ANGLE- ADJUSTABLE FLOOD LIGHTS
MCTP Multi Color Temperature & Multi Power/Wattage (Selectable)

Customer Name: _____
Project Name: _____
Note: _____ | Type: _____



Avail. Finishes:



5 5/8" (H) x 6 5/8" (W) x 3 3/8" (D)

Ideal for general site lighting, alleys, loading docks, doorway, pathway, and parking areas. Great for use with motion sensors and another instant on/off controls.

Features

- Die-cast Aluminum Housing with Powder Coat Finish (Black)
- 1/2" Threaded Knuckle Stem
- 7-Year Warranty
- Lens Type: Plaid Tempered Glass + Aluminum Reflectors

Technical Specifications

Electrical:

- Voltage: 120-277V
- Power Factor: >0.9
- Wattage: 5W/10W/15W
- Efficacy: 95 LPW

Mechanical:

- Die-cast Aluminum Housing with Powder Coat Finish (Black)
- DC Button Photocell with ON/OFF switch Included
- Cord type: 18" SJTW 18/3 AWG cable
- 1/2" Threaded Knuckle Stem
- Operating Temperature: -40°F to 104°F
- IP Rating: IP65
- Suitable for Wet Locations
- 7-Year Warranty

Lighting:

- Lens Type: Plaid Tempered Glass + Aluminum Reflectors
- Total Lumens: 1425LM Max.
- Color Temperatures: 3000K/4000K/5000K
- Color Rendering Index: CRI ≥ 80
- Beam Angle: Adjustable from 25°-65° by Rotating the Lens
- Lifespan: 70,000 Hrs.

Applications:

- Ideal for general site lighting, alleys, loading docks, doorway, pathway, and parking areas. Great for use with motion sensors and another instant on/off controls.

Other Models:

- 15W | 1425LM | FLDXPRO-SM-5-15W-MCTPB-BR

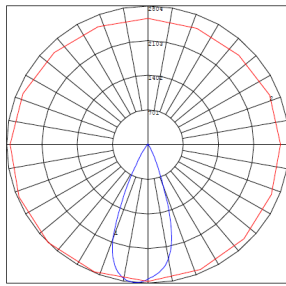
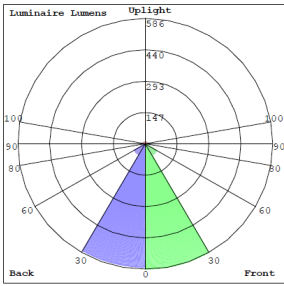


Phone: (877) 805-2252 | Fax: (877) 805-2252
www.westgatemfg.com

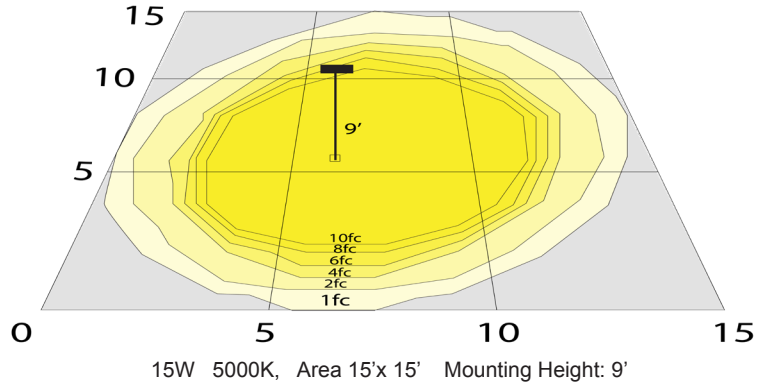


WG-07052022

Photometrics: FLDXPRO-SM-5-15W-MCTPB-BK



BUG Rating: B2-U1-G0

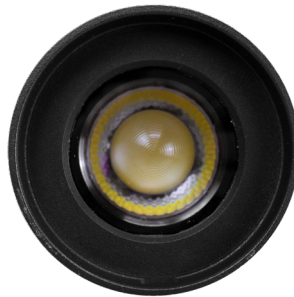


15W 5000K, Area 15'x 15' Mounting Height: 9'

Other Views:



Side View



Front View



Back View

Performance Table: FLDXPRO-SM-5-15W-MCTPB-BK

MODEL NO.	Wattage	Voltage	Lumens	Color Temp.	BUG Rating	LPW
FLDXPRO-SM-5-15W-MCTPB-BK	5W	120-277V	475LM	3000K 4000K 5000K	B1-U0-G0	95
	10W		950LM			
	15W		1425LM			

Sample Ordering

Model	Size	Watt	Watt	Color Temp.	Finish
FLDXPRO	SM	5	15W	MCTPB	BK

