

FDL-18-MCT

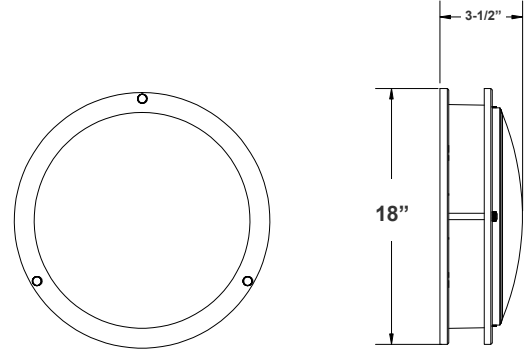


The LED Flush Mount Surface Fixture is a low profile downlight intended for ceiling or wall mount applications. Driver on Board (DOB) technology, with no driver or transformer needed. These flush mount ceiling lights mount directly to a 4" & 3" deep dish junction boxes ideal for Residential and commercial applications

Customer Name: _____

Project Name: _____

Note: _____ Type: _____



18" (W) x 3-1/2" (H)

Features

- Construction: Spun Aluminum + Steel (Brushed Nickel Finish)
- Optics: White Translucent Acrylic Lens
- 5-Year Warranty
- 50,000 Hours Rated Life
- MCT: Multi Color Temperature (Selectable with Switch Inside Fixture)
- High Lumens

Technical Specifications

Electrical:

- Voltage: 120V AC
- Wattage: 30W
- Power Factor: >0.9
- Efficacy: 73 LPW

Mechanical:

- Optics: White Translucent Acrylic Lens
- Construction: Spun aluminum Steel (Brushed Nickel Finish)
- Gasket: Closed Cell Neoprene Foam Gasket
- Operating Temp: -4°F~104°F
- Suitable for Damp Locations When Gasket is Used

Lighting:

- Dimmable Down to 10% Using a Standard TRIAC LED Dimmer
- Total Lumens: 2200LM
- Color Temperatures: 3000K/4000K/5000K
- Multi-CCT (selectable with switch is on the LED Board Under the Lens)
- Color Rendering Index: CRI ≥ 80
- IP Rating: IP20

Applications:

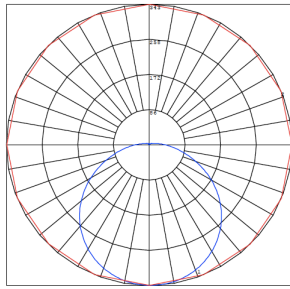
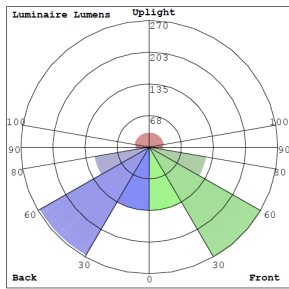
- The LED Flush Mount Surface Fixture is a low profile down light intended for ceiling or wall mount applications. Driver on Board (DOB) technology, with no driver or transformer needed. These flush mount ceiling lights mount directly to a 4" deep dish junction box ideal for Residential and commercial applications

Other Models:

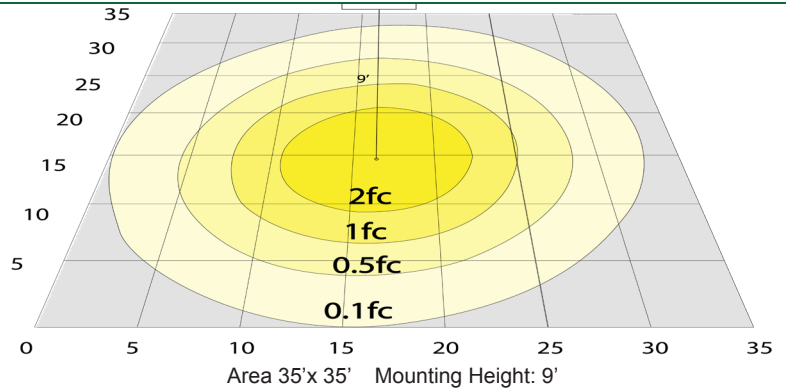
- 15W | 1000LM | FDL-12-MCT
- 20W | 1400LM | FDL-14-MCT
- 25W | 1800LM | FDL-16-MCT



Photometrics: FDL-18-MCT



BUD Rating: B1-U2-G1



Other Views:



Side View



Front View



Back View

Performance Table: FDL-18-MCT

MODEL NO.	Wattage	Voltage	Lumens	Color Temp.	BUG Rating	LPW
FDL-18-MCT	30W	120V	2200LM	3000K 4000K 5000K	B1-U2-G1	73

Sample Ordering

Model Size Color Temp.

FDL - 18 - MCT

Factory-Installed Options:

Blank = No Option For Accessories
 OPT-SEN-2US= ULTRASONIC BI-LEVEL DIMMING (REMOTE NOT NEEDED)
 WEC-3RC= OPTIONAL REMOTE CONTROL
 OPT-PC-FM= BOTTOM PHOTOCELL WITH AUXILIARY (EXTENDED) BASE

FACTORY-INSTALLED OPTIONS:



WEC-3RC



OPT-SEN-2US

Example:

1. FDL-18-MCT (FOR FDL 30W MCT FIXTURE 120V)
2. FDL-18-MCT (FOR FDL 30W MCT FIXTURE 120V)
 OPT-SEN-2US (ULTRASONIC BI-LEVEL DIMMING (REMOTE NOT NEEDED))

