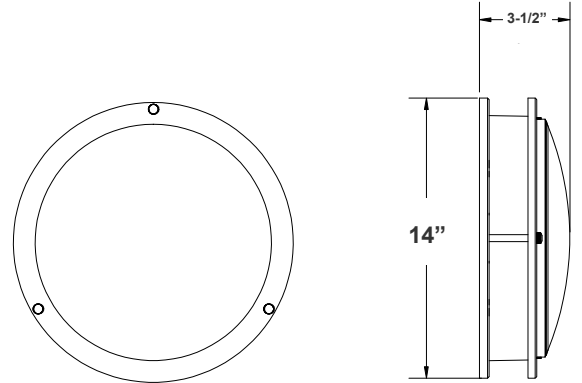


# FDL SERIES Residential Lighting

**FDL-14-MCT5-BK**  
LED 5CCT DOUBLE RING FLUSH MOUNT  
**MCT5** Multi Color Temperature (Selectable)

Customer Name: \_\_\_\_\_  
Project Name: \_\_\_\_\_  
Note: \_\_\_\_\_ | Type: \_\_\_\_\_



14" (W) x 3-1/2" (H)

The LED Flush Mount Surface Fixture is a low profile downlight intended for ceiling or wall mount applications. Driver on Board (DOB) technology, with no driver or transformer needed. These flush mount ceiling lights mount directly to a 4" deep dish junction box ideal for Residential and commercial applications.

## Features

- Construction: Spun Aluminum + Steel (Black Finish)
- Optics: White Translucent Acrylic Lens
- 5-Year Warranty
- 50,000 Hours Rated Life
- MCT: Multi Color Temperature (Selectable with Switch Inside Fixture)
- High Lumens

## Technical Specifications

### Electrical:

- Voltage: 120V AC
- Wattage: 20W
- Power Factor: >0.9
- Efficacy: 75 LPW

### Mechanical:

- Optics: White Translucent Acrylic Lens
- Construction: Spun aluminum Steel (Brushed Nickel Finish)
- Gasket: Closed Cell Neoprene Foam Gasket
- Operating Temp: -4°F~104°F
- Suitable for Damp Locations When Gasket is Used
- 5-Year Warranty

### Lighting:

- Multi-CCT (selectable With Switch Is On The LED Board Under The Lens)
- Dimmable Down to 10% Using a Standard TRIAC LED Dimmer
- Total Lumens: 1500LM
- Color Temperatures: 2700K/3000K/3500K/4000K/5000K
- Color Rendering Index: CRI ≥ 80
- IP Rating: IP20

### Applications:

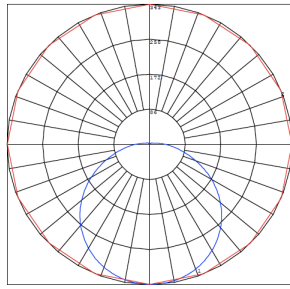
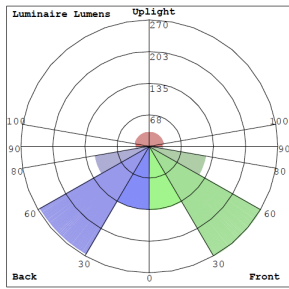
- The LED Flush Mount Surface Fixture is a low profile down light intended for ceiling or wall mount applications. Driver on Board (DOB) technology, with no driver or transformer needed. These flush mount ceiling lights mount directly to a 4" deep dish junction box ideal for Residential and commercial applications

### Other Models:

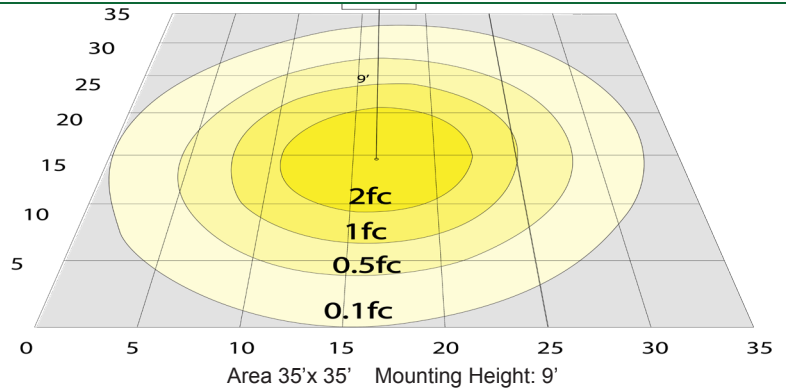
- 16W | 1200LM | FDL-12-MCT5-BK



## Photometrics: FDL-14-MCT5-BK



BUD Rating: B1-U2-G1



## Other Views:



Side View



Front View



Back View

## Performance Table: FDL-14-MCT5-BK

| MODEL NO.      | Wattage | Voltage | Lumens | Color Temp.                               | BUG Rating | LPW |
|----------------|---------|---------|--------|---|------------|-----|
| FDL-14-MCT5-BK | 20W     | 120V    | 1500LM | 2700K<br>3000K<br>3500K<br>4000K<br>5000K | B1-U2-G1   | 75  |

## Sample Ordering

Model Size Color Temp. Finish

FDL - 14 - MCT5 - BK

## Accessory:

Blank = No Option For Accessories

FDL-SFK-BK= SEMI-FLUSH ACCESSORY KIT FOR FDL FLUSH-MOUNT SERIES, BK

## Factory-Installed Options:

Blank = No Option For Accessories

OPT-FDL-12-EM= EMERGENCY BACKUP BATTERY MOUNT IN EXTENDED BASE

OPT-SEN-2US= ULTRASONIC BI-LEVEL DIMMING (REMOTE NOT NEEDED)

WEC-3RC= OPTIONAL REMOTE CONTROL

FDL-SFK-BK= SEMI-FLUSH ACCESSORY KIT FOR FDL FLUSH-MOUNT SERIES, BK

## FACTORY-INSTALLED OPTIONS:



OPT-FDL-12-EM



OPT-SEN-2US



WEC-3RC

