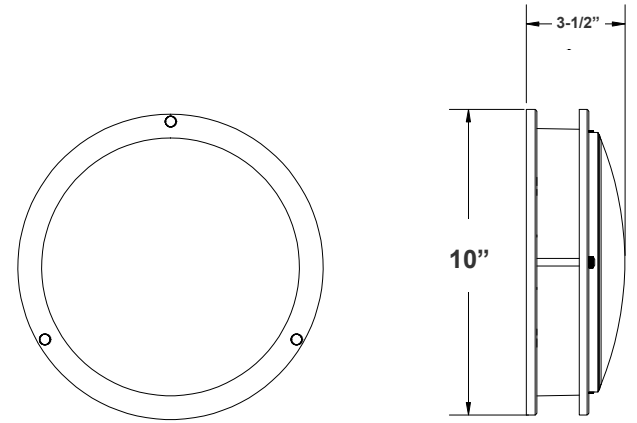


FDL SERIES Residential Lighting

FDL-10-MCT5
LED 5CCT DOUBLE RING FLUSH MOUNT
MCT5 Multi Color Temperature (Selectable)

Customer Name: _____
Project Name: _____
Note: _____ | Type: _____



10" (W) x 3-1/2" (H)

The LED Flush Mount Surface Fixture is a low profile downlight intended for ceiling or wall mount applications. Driver on Board (DOB) technology, with no driver or transformer needed. These flush mount ceiling lights mount directly to a 4" deep dish junction box ideal for Residential and commercial applications.

Features

- Construction: Spun Aluminum + Steel (Brushed Nickel Finish)
- Optics: White Translucent Acrylic Lens
- 5-Year Warranty
- 50,000 Hours Rated Life
- MCT5: Multi Color Temperature (Selectable with Switch Inside Fixture)
- High Lumens

Technical Specifications

Electrical:

- Voltage: 120V AC
- Wattage: 12W
- Power Factor: >0.9
- Efficacy: 75 LPW

Mechanical:

- Optics: White Translucent Acrylic Lens
- Construction: Spun aluminum Steel (Brushed Nickel Finish)
- Gasket: Closed Cell Neoprene Foam Gasket
- Operating Temp: -4°F~104°F
- Suitable for Damp Locations When Gasket is Used

Lighting:

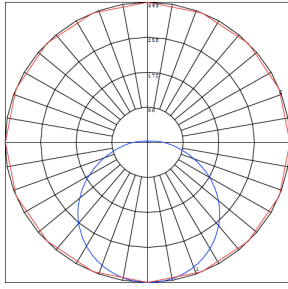
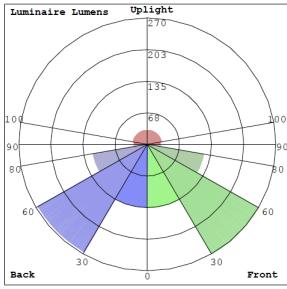
- Dimmable Down to 10% Using a Standard TRIAC LED Dimmer
- Total Lumens: 900LM
- Color Temperatures: 2700K/3000K/3500K/4000K/5000K
- Multi-CCT (selectable with switch is on the LED Board Under the Lens)
- Color Rendering Index: CRI ≥ 80

Applications:

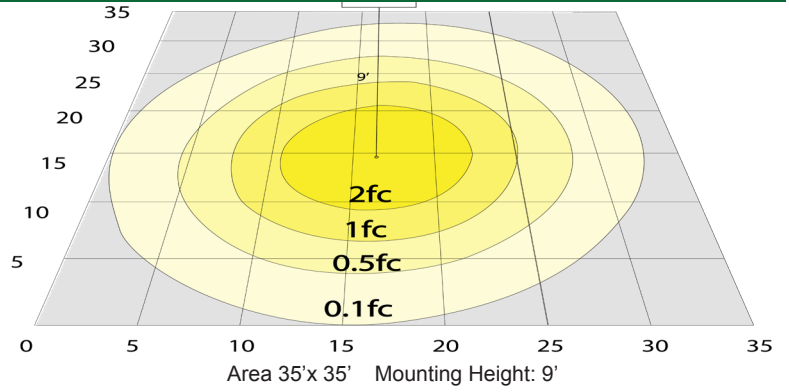
- The LED Flush Mount Surface Fixture is a low profile down light intended for ceiling or wall mount applications. Driver on Board (DOB) technology, with no driver or transformer needed. These flush mount ceiling lights mount directly to a 4" deep dish junction box ideal for Residential and commercial applications



Photometrics: FDL-10-MCT5



BUD Rating: B1-U2-G1



Other Views:



Side View



Front View



Back View

Performance Table: FDL-10-MCT5

MODEL NO.	Wattage	Voltage	Lumens	Color Temp.	BUG Rating	LPW
FDL-10-MCT5	12W	120V	900LM	2700K 3000K 3500K 4000K 5000K	B1-U2-G1	75

Sample Ordering

Model Size Color Temp.

FDL - 10 - MCT5

Accessory:

Blank = No Option For Accessories

FDL-SFK = SEMI-FLUSH ACCESSORY KIT FOR FDL FLUSH-MOUNT SERIES

Factory-Installed Options:

Blank = No Option For Accessories

OPT-FDL-10-EM = EMERGENCY BACKUP BATTERY MOUNT IN EXTENDED BASE

OPT-EM-FDL-10 = MOUNT IN EXTENDED

OPT-277V-FDL-10 = EXTERNAL BOX

OPT-SEN-NLS-2US = WG NETWORK SENSOR

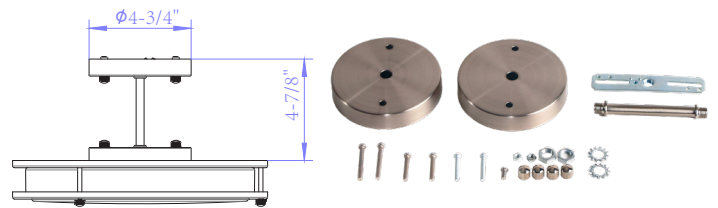
OPT-SEN-2US = ULTRASONIC BI-LEVEL DIMMING (REMOTE NOT NEEDED)

OPT-SEN-KEILTON-2US = KEILTON NETWORK SENSOR

WEC-3RC = REMOTE CONTROL

OPT-PC-FM = BUTTON WITH AUXILIARY

ACCESSORIES:



FDL-SFK

FACTORY-INSTALLED OPTIONS:



OPT-FDL-10-EM



OPT-SEN-2US



WEC-3RC

