

# FCRB SERIES Residential Lighting

**FCRB-11HL-MCT5**  
LED 5CCT CLOUD FIXTURES

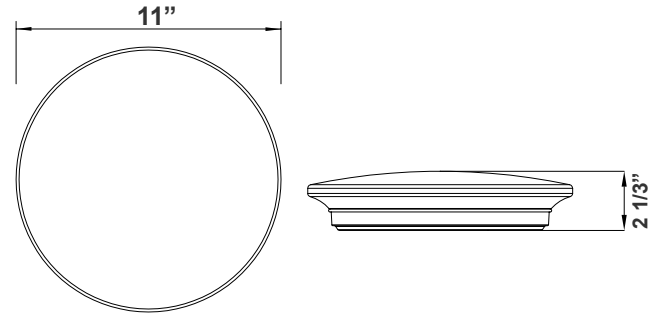
**MCT5** Multi Color Temperature (Selectable)



Customer Name: \_\_\_\_\_

Project Name: \_\_\_\_\_

Note: \_\_\_\_\_ | Type: \_\_\_\_\_



11" (W) x 2 1/3" (H)

The LED Flush Mount Surface Fixture is a low profile downlight intended for ceiling or wall mount applications. Driver on Board (DOB) technology, with no driver or transformer needed. These flush mount ceiling lights mount directly to a 4" deep dish junction box ideal for Residential and commercial applications.

## Features

- Construction: Spun Aluminum + Steel (Brushed Nickel Finish)
- Optics: White Translucent Acrylic Lens
- 5-Year Warranty
- 50,000 Hours Rated Life
- MCT5: Multi Color Temperature (Selectable with Switch Inside Fixture)

## Technical Specifications

### Electrical:

- Voltage: 120 VAC 60Hz
- Wattage: 20W
- Power Factor: >0.9
- Efficacy: 75 LPW

### Mechanical:

- Optics: White Translucent Acrylic Lens
- Construction: Spun aluminum Steel (Brushed Nickel Finish)
- Gasket: Closed Cell Neoprene Foam Gasket
- Operating Temp: -4°F to +104°F
- Suitable for Damp Locations When Gasket is Used
- IP Rating: IP20

### Lighting:

- Dimmable Down to 10% Using a Standard TRIAC LED Dimmer
- Total Lumens: 1500LM
- Color Temperatures: 2700K/3000K/3500K/4000K/5000K
- Multi-CCT (selectable with switch is on the LED Board Under the Lens)
- Color Rendering Index: CRI ≥ 80

### Applications:

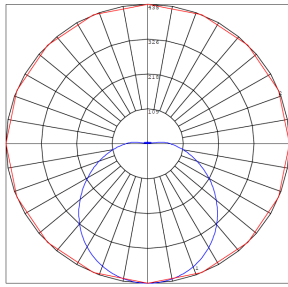
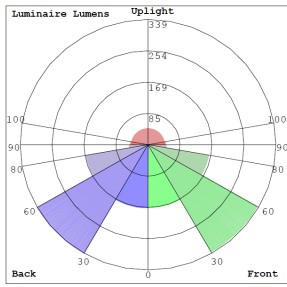
- The LED Flush Mount Surface Fixture is a low profile down light intended for ceiling or wall mount applications. Driver on Board (DOB) technology, with no driver or transformer needed. These flush mount ceiling lights mount directly to a 4" deep dish junction box ideal for Residential and commercial applications

### Other Models:

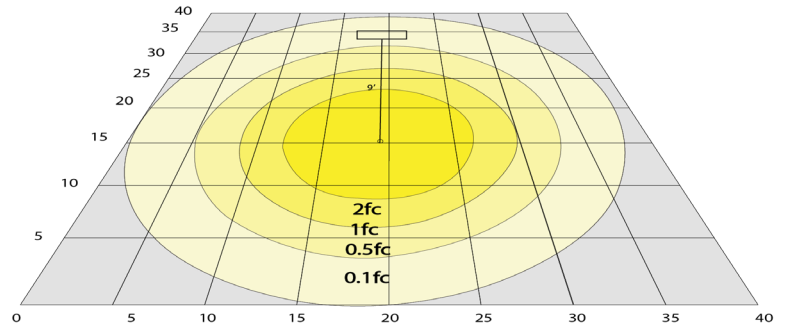
- 20W | 1500LM | FCRB-14-MCT5



## Photometrics: FCRB-11HL-MCT5



BUG Rating: B1-U2-G1

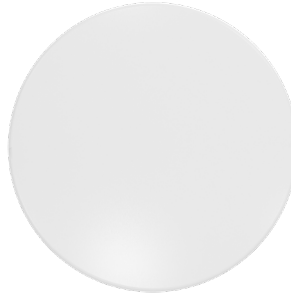


Area 40'x 40' Mounting Height: 9'

## Other Views:



Side View



Front View



Back View

## Performance Table: FCRB-11HL-MCT5

MODEL NO.	Wattage	Voltage	Lumens	Color Temp.	BUG Rating	LPW
FCRB-11HL-MCT5	20W	120V	1500LM	2700K 3000K 3500K 4000K 5000K	B1-U2-G1	75

## Sample Ordering

**Model**   **Size**   **Color Temp.**

FCRB - 11HL - MCT5

## Factory-Installed Options:

Blank = No Option For Accessories  
 OPT-SEN-2US = ULTRASONIC BI-LEVEL DIMMING  
 WEC-3RC = OPTIONAL REMOTE

## FACTORY-INSTALLED OPTIONS:

