

EXPR-150W-50K-480V

HAZARDOUS LOCATION ROUND FLOOD/HIGHBAY LIGHTS,

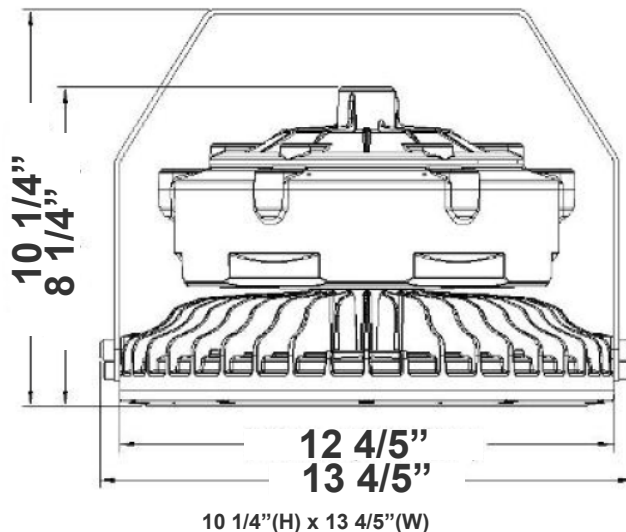


Customer Name: _____

Project Name: _____

Note: _____

Type: _____



Ideal for Stadium lighting, Sports fields, parking lots, docks ,railway and container yards, Architectural lighting, Industrial and commercial exterior lighting, trade shows, exhibitions

Features

- UL ANSI/UL 844, "Luminaires for Use in Hazardous (Classified) Locations."
- UL E503444 Class I, Division 2, Groups A, B, C and D, Luminaires for HazLoc
- 7-year Warranty
- Lens: Clear Glass
- Aluminum Alloy Housing

Technical Specifications

Electrical:

- Voltage: 480V AC 60Hz
- Wattage: 150W
- Power Factor: >0.90
- THD: ≤20%
- Efficacy: 150LPW

Mechanical:

- Aluminum Alloy Housing
- Gray Finish
- 3/4" Threaded KO On Top
- Operating Temperature: -40°F to 176°F
- IP Rating: IP66, Suitable for Wet Locations
- 7-year Warranty

Lighting:

- Lens: Clear Glass
- LED: Samsung / SMD 2835(0.5W)
- Total lumens: 22500LM
- Color Temperatures: 5000K
- Color Rendering Index: CRI ≥ 84
- Rated Life: 70,000 Hrs
- Beam Angle: 100°

Applications:

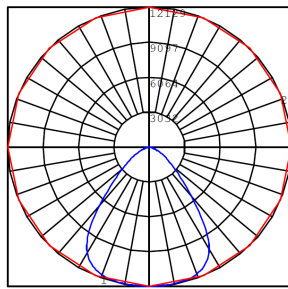
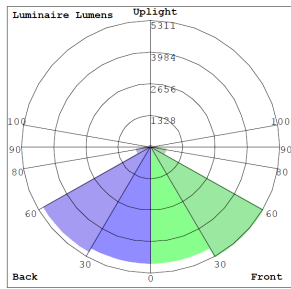
- Warehouse, Factory And Workshops;
- Petroleum and Petrochemical Area, And Gas Station;
- Power, Railway, Ship Port, Public Security, Fire Protection And Other Fields

Other Models:

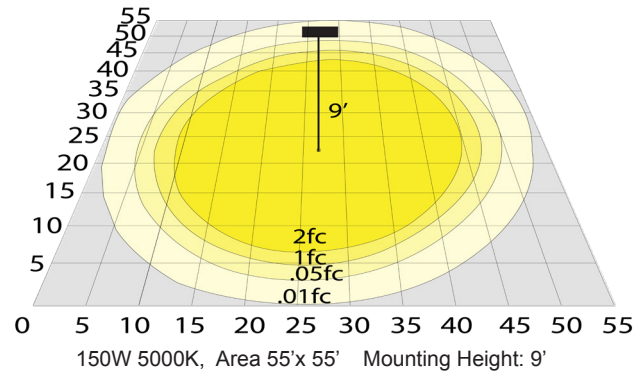
- 80W | 10800LM | EXPL-80W-50K-480V



Photometrics: EXPR-150W-50K-480V



BUG Rating: B4-U2-G1



Other Views:



Side View



Lens View



Back View

Performance Table: EXPR-150W-50K-480V

MODEL NO.	Wattage	Voltage	Lumens	Color Temp.	BUG Rating	LPW
EXPR-150W-50K-480V	150W	480V	22500LM	5000K	B4-U2-G1	150

Sample Ordering

Model Watt Color Temp. Volt

EXPR - 150W - 50K - 480V

Accessories:

Blank = No Option For Accessories

EXPR-100-150W-WGF = Flat Wire Guard For EXPR 100W To 150W

EXPR-100-150W-LD = Dome Lens For EXPR 100W To 150W

EXPR-100-150W-WGD = Dome Wire Guard For 100W To 150W

ACCESSORIES:



EXPR-100-150W-WGF



EXPR-100-150W-LD

